

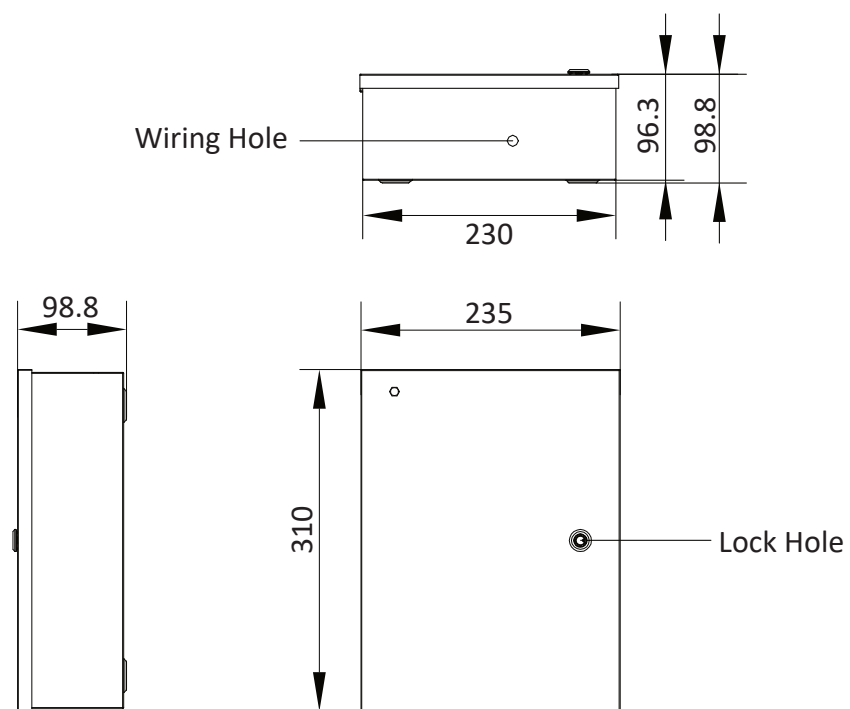
**HIKVISION**

Power Box

User Manual

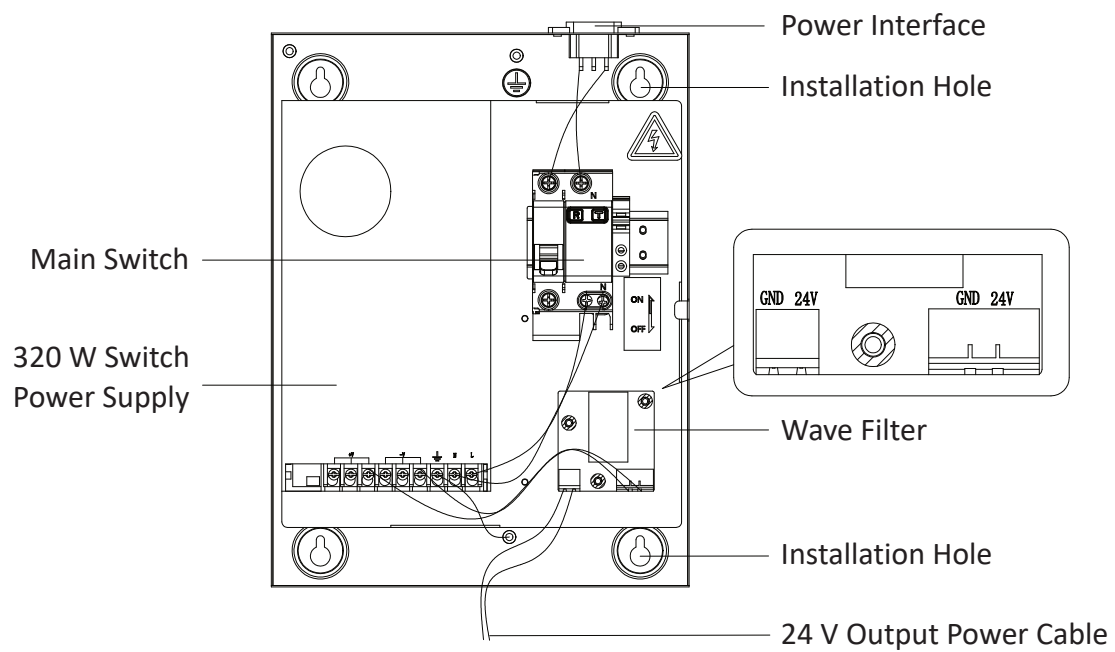
UD34302B

## 1 Appearance

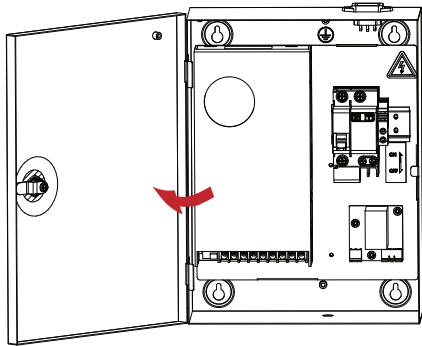


Unit: mm

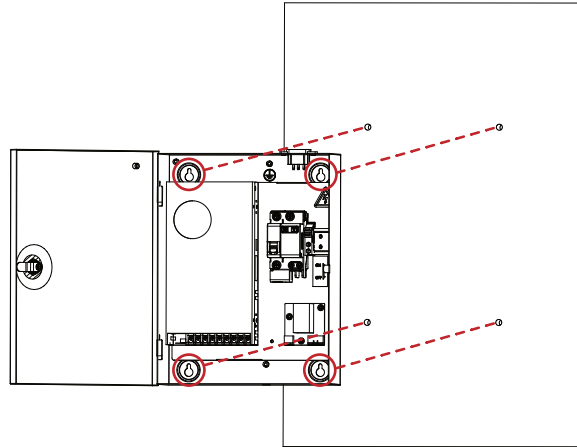
## 2 Components



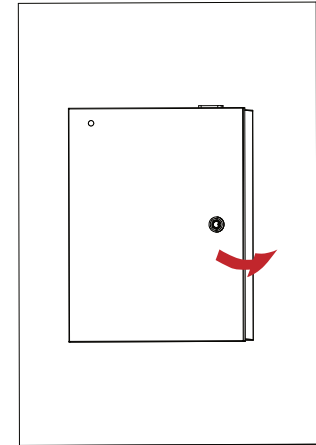
### 3 Installation



1. Unlock with key and open the front panel of the power box.

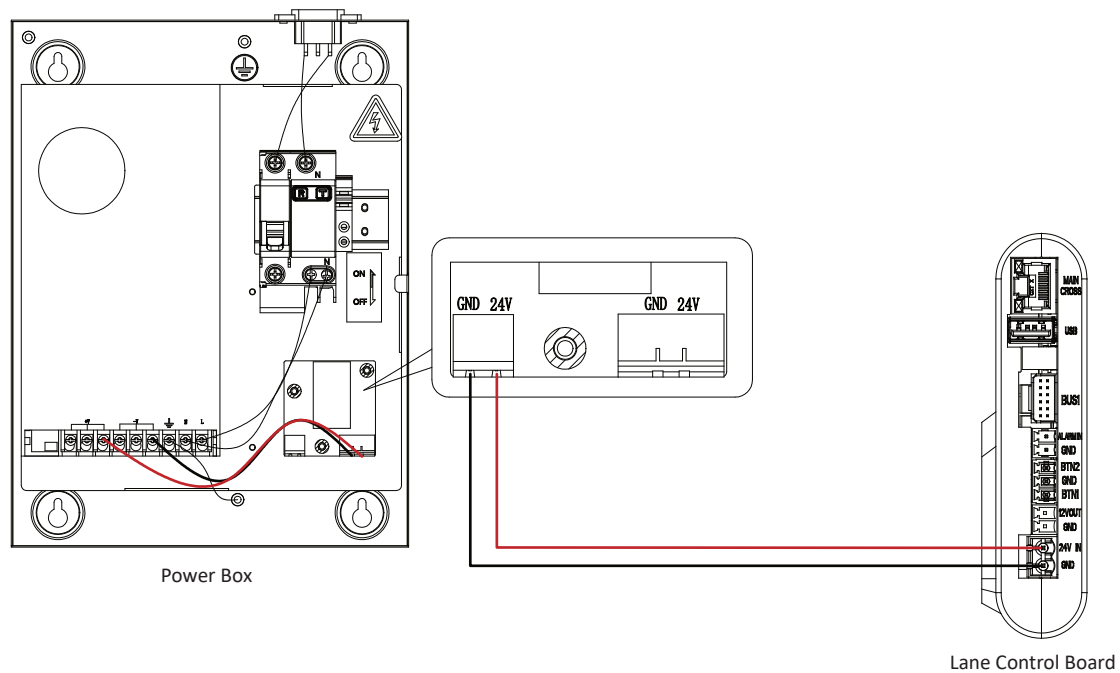


2. Fix the power box on the mounting surface.  
(1) Dig holes on the mounting surface according to the installation hole position of the box and install expansion bolts.  
(2) Fix the box with 4 expansion bolts (PA4 × 35).  
(3) Complete Wiring.



3. Close the front panel and lock with key.

### 4 Wiring



Power Box

Lane Control Board