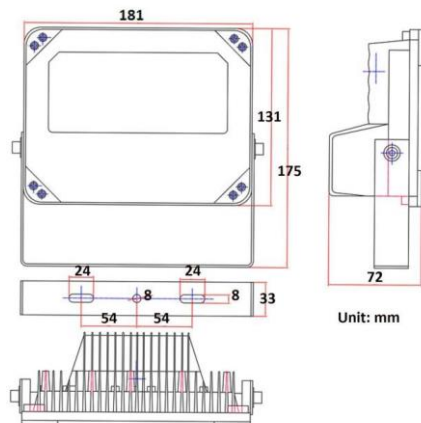


4. Dimension



Instruction of IR Illuminator

IR8

5. Models for selection

Model	Beam Angle	IR distance(850nm)
IR8-15	15°	140m
IR8-30	30°	100m
IR8-45	45°	80m
IR8-60	60°	60m
IR8-90	90°	45m
IR8-120	120°	25m

Actual viewing distance is depended on the performance of camera and lens



Our product is weatherproof and dustproof. Do not modify the shape, dismantle or reconfigure the product, any inflow of water cause by which are not be responsible for warranty repair.

Please strictly follow the below instructions when install this product!

1. Description

- Accurate constant current drive develops excellent performance of LED;
Using high power LED, high efficacy and long service life;
- Improve performance of camera to get better pictures at night time.
- Fill Light for night vision camera
- Indoor/Outdoor use
- Easy installation

2. Specification

LED type: 8 pieces high power IR LED

Wavelength: 740nm/850nm/940nm

Beam angle: 15 to 120°

Beam distance: 140m to 25m

Bracket: wall mount bracket

Working voltage: 85-265V AC/12-24V DC/24V AC

Cable: 1.3m(85-265V AC)/0.45m(12-24V DC/24V AC)

Power consumption: 14W

Day/night switch: automatic

Working temperatures: -30 to 50°C(-50 to 50°C with heater)

Protection level: IP66

Color: beige/black

Panel: tempered glass panel+IR passing plastic

Housing: aluminum die-casting housing

N.W: 1.2KG

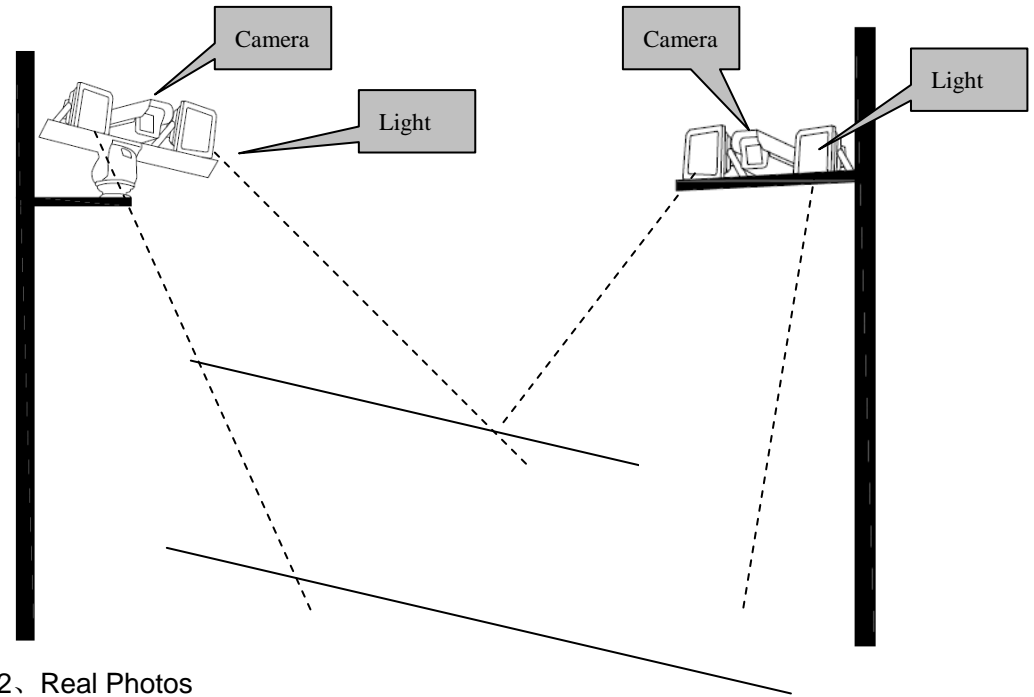
G.W: 1.5KG

Dimension: 181*131*72mm

Packing dimension: 210*180*100mm

3. Installation

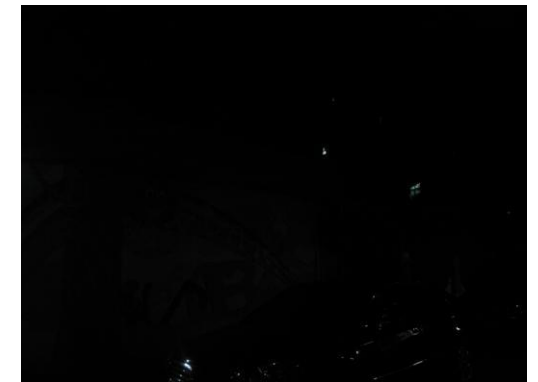
1、 Installation Graph



2、 Real Photos



Night time with IR Illuminator



Night time without IR Illuminator