



# Network Camera

## Quick Guide

*DC-D4236X / DC-D4236RX /*

*DC-D4236WRX / DC-D4236HRX*

*DC-D4236X-A / DC-D4236RX-A /*

*DC-D4236WRX-A / DC-D4236HRX-A*

# Safety Precautions

## WARNING

RISK OF ELECTRIC SHOCK  
DO NOT OPEN

**WARNING:** TO REDUCE THE RISK OF ELECTRIC SHOCK,  
DO NOT REMOVE COVER (OR BACK). NO USER-SERVICEABLE PARTS INSIDE.  
REFER SERVICING TO QUALIFIED SERVICE PERSONNEL.

## Important Safeguards

### 1. Read Instructions

All the safety and operating instructions should be read before the appliance is operated.

### 2. Retain Instructions

The safety and operating instructions should be retained for future reference.

### 3. Cleaning

Unplug this equipment from the wall outlet before cleaning it. Do not use liquid aerosol cleaners. Use a damp soft cloth for cleaning.

### 4. Attachments

Never add any attachments and/or equipment without the approval of the manufacturer as such additions may result in the risk of fire, electric shock or other personal injury.

### 5. Water and/or Moisture

Do not use this equipment near water or in contact with water.

### 6. Placing and Accessories

Do not place this equipment on an wall or ceiling that is not strong enough to sustain the camera. The equipment may fall, causing serious injury to a child or adult, and serious damage to the equipment. Wall or shelf mounting should follow the manufacturer's instructions, and should use a mounting kit approved by the manufacturer.



This equipment and cart combination should be moved with care. Quick stops, excessive force, and uneven surfaces may cause the equipment and cart combination to overturn.

Do not place this equipment in an enclosed space. Sufficient ventilation is required to prevent an increase in ambient temperature which can cause malfunction or the risk of fire.

### 7. Power Sources

This equipment should be operated only from the type of power source indicated on the marking label. If you are not sure of the type of power, please consult your equipment dealer or local power company.

You may want to install a UPS (Uninterruptible Power Supply) system for safe operation in order to prevent damage caused by an unexpected power stoppage. Any questions concerning UPS, consult your UPS retailer.

This equipment should be remain readily operable.

### 8. Power Cord

Operator or installer must remove power and TNT connections before handling the equipment.

### 9. Lightning

For added protection for this equipment during a lightning storm, or when it is left unattended and unused for long periods of time, unplug it from the wall outlet and disconnect the antenna or cable system. This will prevent damage to the equipment due to lightning and power-line surges. If thunder or lightning is common where the equipment is installed, use a surge protection device.

### 10. Overloading

Do not overload wall outlets and extension cords as this can result in the risk of fire or electric shock.

### 11. Objects and Liquids

Never push objects of any kind through openings of this equipment as they may touch dangerous voltage points or short out parts that could result in a fire or electric shock. Never spill liquid of any kind on the equipment.

### 12. Servicing

Do not attempt to service this equipment yourself. Refer all servicing to qualified service personnel.

### 13. Damage requiring Service

Unplug this equipment from the wall outlet and refer servicing to qualified service personnel under the following conditions:

- When the power-supply cord or the plug has been damaged.
- If liquid is spilled, or objects have hit the equipment.
- If the equipment has been exposed to rain or water.
- If the equipment does not operate normally by following the operating instructions, adjust only those controls that are covered by the operating instructions as an improper adjustment of other controls may result in damage and will often require extensive work by a qualified technician to restore the equipment to its normal operation.
- If the equipment has been dropped, or the cabinet damaged.
- If the equipment exhibits a distinct change in performance — this indicates a need for service.

### 14. Replacement Parts

When replacement parts are required, be sure the service technician has used replacement parts specified by the manufacturer or that have the same characteristics as the original part. Unauthorized substitutions may result in fire, electric shock or other hazards.

### 15. Safety Check

Upon completion of any service or repairs to this equipment, ask the service technician to perform safety checks to determine that the equipment is in proper operating condition.

### 16. Field Installation

This installation should be made by a qualified service person and should conform to all local codes.

### 17. Correct Batteries

Warning: Risk of explosion if battery is replaced by an incorrect type. Replace only with the same or equivalent type. Dispose of used batteries according to the instructions. The battery shall not be exposed to excessive heat such as sunshine, fire or the like.

### 18. Tmra

A manufacturer's maximum recommended ambient temperature (Tmra) for the equipment must be specified so that the customer and installer may determine a suitable maximum operating environment for the equipment.

# FCC Compliance Statement

THIS EQUIPMENT HAS BEEN TESTED AND FOUND TO COMPLY WITH THE LIMITS FOR A CLASS A DIGITAL DEVICE, PURSUANT TO PART 15 OF THE FCC RULES. THESE LIMITS ARE DESIGNED TO PROVIDE REASONABLE PROTECTION AGAINST HARMFUL INTERFERENCE WHEN THE EQUIPMENT IS OPERATED IN A COMMERCIAL ENVIRONMENT. THIS EQUIPMENT GENERATES, USES, AND CAN RADIATE RADIO FREQUENCY ENERGY AND IF NOT INSTALLED AND USED IN ACCORDANCE WITH THE INSTRUCTION MANUAL, MAY CAUSE HARMFUL INTERFERENCE TO RADIO COMMUNICATIONS. OPERATION OF THIS EQUIPMENT IN A RESIDENTIAL AREA IS LIKELY TO CAUSE HARMFUL INTERFERENCE, IN WHICH CASE USERS WILL BE REQUIRED TO CORRECT THE INTERFERENCE AT THEIR OWN EXPENSE.

**WARNING:** CHANGES OR MODIFICATIONS NOT EXPRESSLY APPROVED BY THE PARTY RESPONSIBLE FOR COMPLIANCE COULD VOID THE USER'S AUTHORITY TO OPERATE THE EQUIPMENT. THIS CLASS OF DIGITAL APPARATUS MEETS ALL REQUIREMENTS OF THE CANADIAN INTERFERENCE CAUSING EQUIPMENT REGULATIONS.

## WEEE (Waste Electrical & Electronic Equipment)

**Correct Disposal of This Product**  
(Applicable in the European Union and other European countries with separate collection systems)



This marking shown on the product or its literature, indicates that it should not be disposed with other household wastes at the end of its working life. To prevent possible harm to the environment or human health from uncontrolled waste disposal, please separate this from other types of wastes and recycle it responsibly to promote the sustainable reuse of material resources.

Household users should contact either the retailer where they purchased this product, or their local government office, for details of where and how they can take this item for environmentally safe recycling.

Business users should contact their supplier and check the terms and conditions of the purchase contract. This product should not be mixed with other commercial wastes for disposal.

## Safety Symbols

Symbol	Publication	Description
	IEC60417, No.5031	Direct current

## Copyright

© 2021 IDIS Co., Ltd.

IDIS Co., Ltd. reserves all rights concerning this document.

Use or duplication of this document in part or whole without the prior consent of IDIS Co., Ltd. is strictly prohibited.

Contents of this document are subject to change without prior notice for reasons such as functionality enhancements.

## Registered Trademarks


IDIS is a registered trademark of IDIS Co., Ltd.

Other company and product names are registered trademarks of their respective owners.

The software included in this product contains some Open Sources. You may obtain the corresponding source code which we have to distribute according to the license policy. For more information, refer to **System > General** page. This product includes software developed by the University of California, Berkeley and its contributors, and software developed by the OpenSSL Project for use in the OpenSSL Toolkit (<http://www.openssl.org/>). Also, this product includes cryptographic software written by Eric Young ([ey@cryptsoft.com](mailto:ey@cryptsoft.com)).

The information in this document is believed to be accurate as of the date of publication even though explanation about some functions may not be incorporated. The manufacturer is not responsible for any problems resulting from the use thereof. The information contained herein is subject to change without notice. Revisions or new editions to this publication may be issued to incorporate such changes.

Covered by one or more claims of the patents listed at [patentlist.accessadvance.com](http://patentlist.accessadvance.com).

<b>Risk Group1</b>	
	<b>WARNING</b> IR emitted from this product. Do not stare at operating lamp
<i>Product tested against IEC62471</i>	

**Warning:** This product emits infrared light. Do not look into the IR LED.

## Accessories

Upon purchasing the product, check inside the box to make sure all the following accessories are included. Some parts may differ depending on the situation.

Item	
Network Camera	Quick Guide
Terminal Blocks (2 ea.)	Screws (3 ea.)
Protect Connector (DC-D4236WRX(-A), DC-D4236HRX(-A) only)	Desiccant (DC-D4236WRX(-A), DC-D4236HRX(-A) only)
Allen Wrench (DC-D4236WRX(-A), DC-D4236HRX(-A) only)	Guide Pattern

Please download software (IDIS Discovery, IDIS Center, IDIS Solution Suite Compact) and product manual from this link :

-IDIS Website ([www.idisglobal.com](http://www.idisglobal.com))

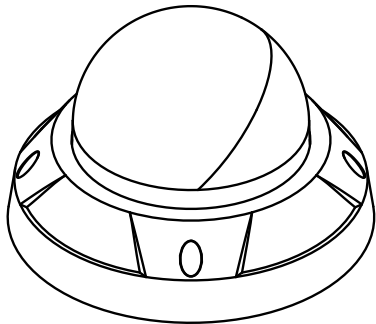
-Search IDIS Discovery, IDIS Center, IDIS Solution Suite Compact.

## Overview



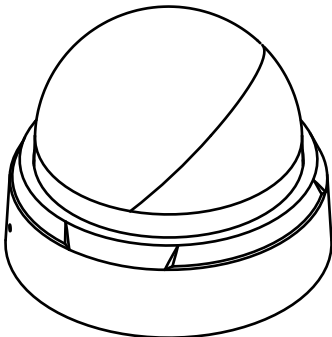
- Product color and design may vary depending on the model.
- For more details on each part name, refer to the manual.

### DC-D4236WRX(-A), DC-D4236HRX(-A)



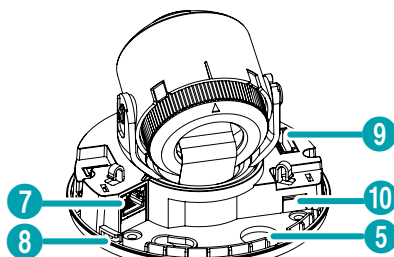
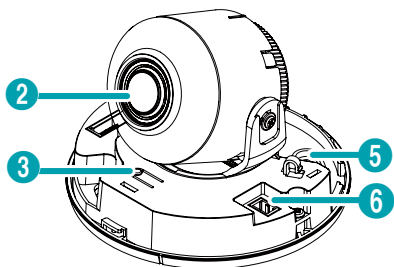
### Dome Cover

### DC-D4236X(-A), DC-D4236RX(-A)

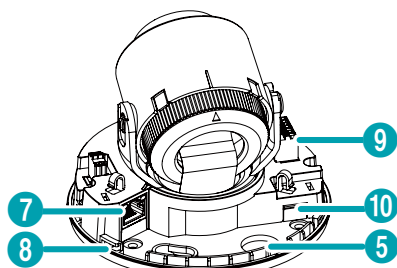
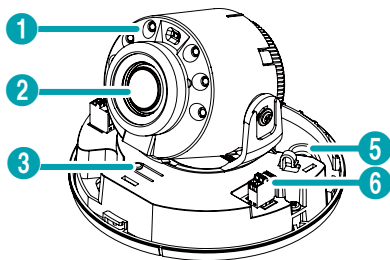


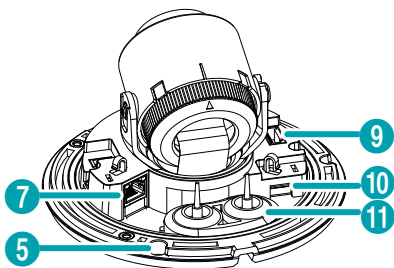
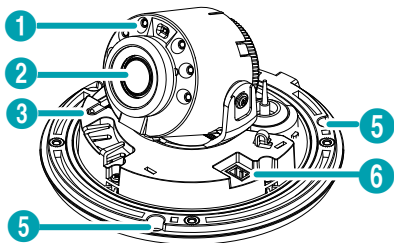
## Body

### DC-D4236X(-A)



### DC-D4236RX(-A)





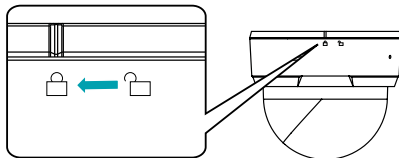
1	IR LED	7	Network Port
2	Lens	8	Dome Cover Assembly Part
3	Factory Reset Button	9	Alarm I/O, Audio I/O, Video Out (CVBS)
4	Built-in Microphone	10	SD Memory Card Slot
5	Wall/Ceiling Installation Hole	11	Cable Rubber
6	Power		

## Camera Installation

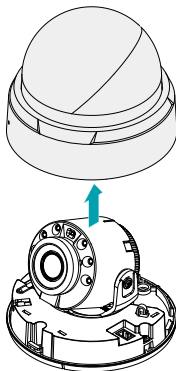
### Removing the Dome Cover

#### DC-D4236X(-A), DC-D4236RX(-A)

- 1 Turn the dome cover counterclockwise.

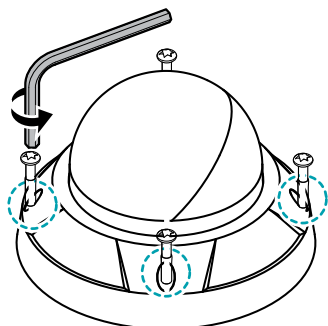


- 2 Remove the dome cover.

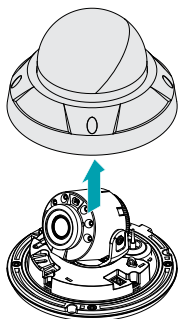


#### DC-D4236WRX(-A), DC-D4236HRX(-A)

- 1 Loosen the screws counterclockwise using the Allen wrench provided with the product.



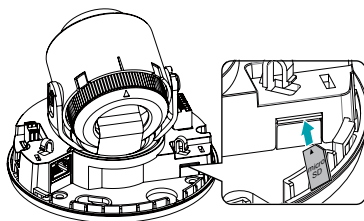
2 Remove the dome cover.



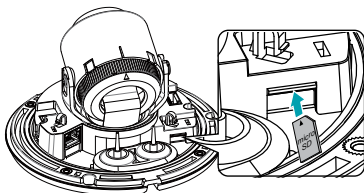
## Inserting a SD Memory Card

Insert a SD memory card into the SD memory card slot with the 'micro SD' print facing upward.

**DC-D4236X(-A), DC-D4236RX(-A)**



**DC-D4236WRX(-A), DC-D4236HRX(-A)**



Push the SD memory card until it disengages from the slot, and then pull it out.

micro SD Logo is a trademark of SD-3C, LLC.



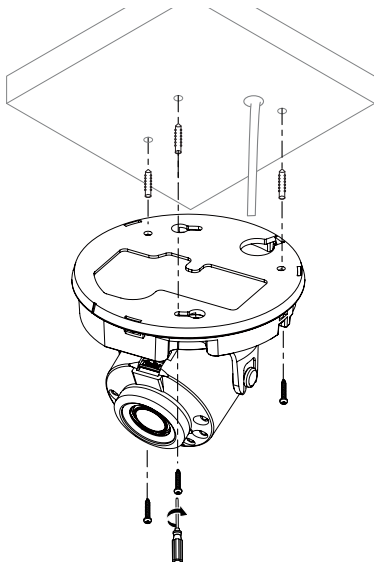
## Installation

- Check the wall or ceiling to see if it needs to be reinforced. The camera may fall off if the wall or ceiling is not strong enough to support its weight.
- Install the camera in a shaded area. If the camera is installed in direct sunlight, it may be affected adversely.

## DC-D4236X(-A), DC-D4236RX(-A)

- 1 Use the screws, anchor provided with the camera to secure the install body on a wall or a ceiling.

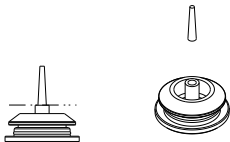
Use the provided guide pattern to check the distance between the screws.



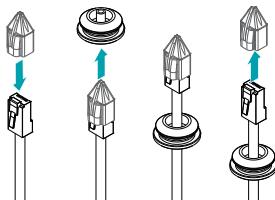
- 2 Connect external devices, the network cable, and the power adapter.
- 3 Adjust the angle. For more information, refer to the **Angle Adjustment**.

## DC-D4236WRX(-A), DC-D4236HRX(-A)

- 1 Detach the protrusion part from the cable rubber along the dotted line.

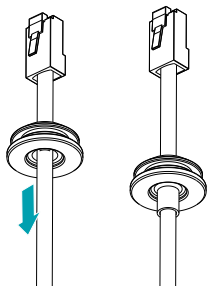


- 2 Make the LAN cable go through the cable rubber using the protect connector.

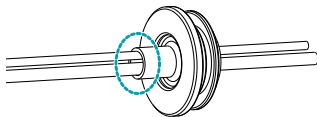


It is recommended to use lubricant to move the LAN cable smoothly.

- 3 Pull the cable slightly and arrange the rubber as shown below.

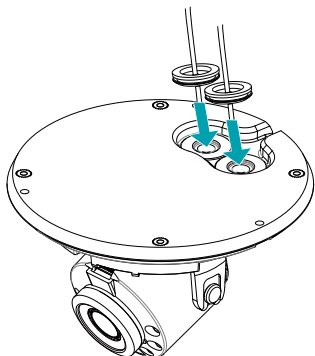


To pass through a thin cable or more than two cables, it is advised to finish it using silicon to make sure waterproofed perfectly. (Silicon finishing part — refer to the bottom image.)

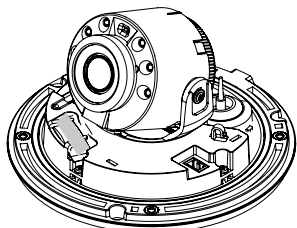




- 4 Assemble the cable rubber to the bottom cover.

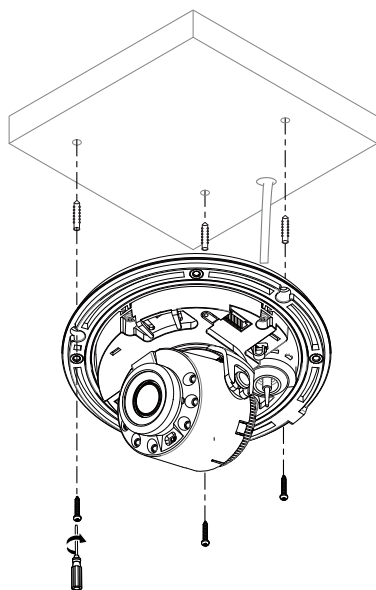


- 5 Attach the enclosed desiccant in the bottom to prevent moisture.



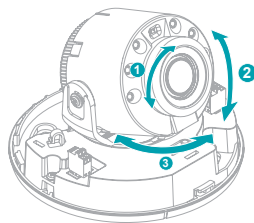
- 6 Use the screws, anchor provided with the camera to secure the install body on a wall or a ceiling.

- Use the provided guide pattern to check the distance between the screws.



- 7 Connect external devices, the network cable, and the power adapter.
- 8 Adjust the angle. For more information, refer to the **Angle Adjustment**.

### Angle Adjustment

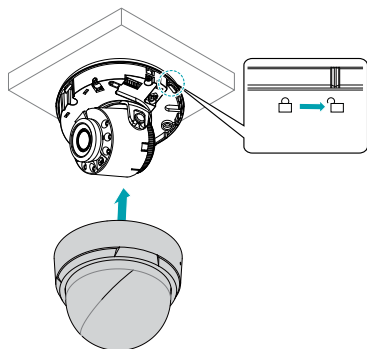


1	Lens Rotation	3	Horizontal Rotation
2	Vertical Rotation		

## Closing the Dome Cover

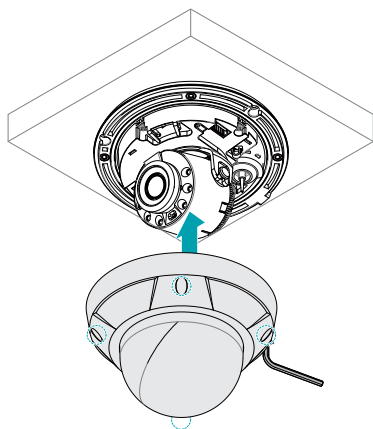
### DC-D4236X(-A), DC-D4236RX(-A)

Attach the dome cover to the bottom cover. Turn the dome cover clockwise to fasten the dome cover.



### DC-D4236WRX(-A), DC-D4236HRX(-A)

Fasten the screws for the dome cover clockwise using the Allen wrench provided with the camera.



- Remove the protective film inside and outside before closing the dome cover.

# Specifications

<b>Vandal Resistance</b>		Yes
<b>Out-door Ready</b>		IP67, Heater
<b>Operating Temperature</b>	DC-D4236X(-A), DC-D4236RX(-A)	-10°C ~ +50°C (14°F ~ +122°F)
	DC-D4236WRX(-A)	-20°C ~ +55°C (-4°F ~ +131°F)
	DC-D4236HRX(-A)	-40°C ~ +55°C (-40°F ~ +131°F)
<b>Boot Up Temperature</b>	DC-D4236X(-A), DC-D4236RX(-A)	0°C ~ +50°C (32°F ~ +122°F)
	DC-D4236WRX(-A)	0°C ~ +55°C (32°F ~ +131°F)
	DC-D4236HRX(-A)	-20°C ~ +55°C (-4°F ~ +131°F)
<b>Operating Humidity</b>		0% ~ 90%
<b>Power Source</b>	DC-D4236X(-A)	12V---, PoE(IEEE 802.3af, Class2)
	DC-D4236RX(-A), DC-D4236WRX(-A), DC-D4236HRX(-A)	12V---, PoE(IEEE 802.3af, Class3)
	DC-D4236X(-A)	12V---, 0.38A, 4.6W
	DC-D4236RX(-A)	PoE, IEEE 802.3af (Class 2), 4.7W
<b>Power Consumption</b>	DC-D4236X(-A)	12V---, 0.64A, 7.7W
	DC-D4236RX(-A)	PoE, IEEE 802.3af (Class 3), 7.6W
	DC-D4236WRX(-A)	12V---, 0.64A, 7.7W
	DC-D4236RX(-A)	PoE, IEEE 802.3af (Class 3), 7.8W
	DC-D4236HRX(-A)	12V---, 0.95A, 11.4W
DC-D4236HRX(-A)	PoE, IEEE 802.3af (Class 3), 10.3W	
<b>Approval</b>		FCC, IK10
<b>External Dimensions (Ø x H)</b>	DC-D4236X(-A), DC-D4236RX(-A)	122mm x 103.40mm (4.8" x 4.07")
	DC-D4236WRX(-A), DC-D4236HRX(-A)	155mm x 105mm (6.1" x 4.13")
	DC-D4236X(-A)	0.35kg (0.77lb)
	DC-D4236RX(-A)	0.37kg (0.81lb)
<b>Weight (Main Unit)</b>	DC-D4236WRX(-A)	0.985kg (2.17lb)
	DC-D4236HRX(-A)	0.99kg (2.18lb)

- **DirectIP NVR makes it easy to use cameras without extra network configurations. Each camera can be controlled via the DirectIP™ NVR setup menu, without any PC.**
  - For detailed camera settings, please see the camera setting pages of DirectIP™ NVR manual.
- **To use your camera with non-DirectIP system (e.g. other NVR or VMS), refer to the camera manual and it can be downloaded from our website: [www.idisglobal.com](http://www.idisglobal.com).**



# Сетевая камера

Краткое руководство пользователя

*DC-D4236X / DC-D4236RX / DC-D4236WRX /  
DC-D4236HRX*

# Правила техники безопасности

## ПРЕДУПРЕЖДЕНИЕ

ОПАСНОСТЬ ПОРАЖЕНИЯ ЭЛЕКТРИЧЕСКИМ ТОКОМ  
НЕ ОТКРЫВАТЬ

**ПРЕДУПРЕЖДЕНИЕ:** для снижения опасности поражения электрическим током, НЕ СНИМАЙТЕ КРЫШКУ (или заднюю панель), ВНУТРИ НАХОДЯТСЯ ДЕТАЛИ, ТЕХНИЧЕСКОЕ ОБСЛУЖИВАНИЕ КОТОРЫХ МОГУТ ПРОИЗВОДИТЬ ТОЛЬКО КВАЛИФИЦИРОВАННЫЕ СПЕЦИАЛИСТЫ.  
для проведения технического обслуживания обратитесь к квалифицированному специалисту.

## Важные меры безопасности

### 1. Ознакомьтесь с инструкцией

Пользователь должен ознакомиться со всеми инструкциями по безопасности и эксплуатации до начала эксплуатации устройства.

### 2. Хранение инструкций

Инструкции по технике безопасности и эксплуатации должны сохраняться для дальнейшего использования.

### 3. Чистка

Перед началом чистки устройства отключите его от розетки. Не используйте жидкие аэрозольные чистящие средства. Для чистки используйте влажную мягкую ткань.

### 4. Дополнительно подключаемые компоненты

Не следует использовать дополнительные приставки и (или) оборудование без одобрения производителя, так как это может привести к возникновению пожара, поражению электрическим током или другим травмам.

### 5. Вода и (или) влага

Не используйте данное оборудование вблизи или в контакте с водой.

### 6. Размещение и принадлежность

Не устанавливайте оборудование на стену или потолок, которые не рассчитаны на вес камеры. Оборудование может упасть и привести к серьезной травме ребенка или взрослого или повреждению оборудования. При установке на стене или на полке обязательно руководствуйтесь инструкциями производителя и пользоваться монтажным комплектом производителя.

Если устройство находится на телефоне, перемещайте ее с осторожностью. При резком торможении, слишком сильных толчках и на неровных поверхностях телефона с устройством может перевернуться.

Не устанавливайте данное оборудование в закрытом помещении. Чтобы предупредить повреждение оборудования или возгорание в результате повышения температуры окружающей среды, необходимо обеспечить достаточную вентиляцию.

### 7. Источники питания

Эксплуатация оборудования должна проводиться только с использованием источника питания, указанного на бирке. Если вы не уверены относительно источника питания, обратитесь к дилеру оборудования или в местную электроэнергетическую компанию.

Вы можете установить ИБП (источник бесперебойного питания) для безопасной эксплуатации, чтобы предупредить повреждения, связанные с неожиданным нарушением энергоснабжения. По вопросам относительно ИБП обратитесь к продавцу ИБП.

Данное оборудование должно оставаться в рабочем состоянии.

### 8. Сетевой шнур

Перед началом работы с оборудованием оператор или монтажник должен отключить питание и соединения ТНП.

### 9. Грозовая защита

Для дополнительной защиты устройства во время грозы, при оставлении устройства без присмотра или его воздействия в течение долгого времени отключите устройство от розетки, отсоедините антенну или кабельную систему. Защита оборудования от повреждения в результате удара молнии и скачков напряжения в сети. Если гром или молния являются обычным явлением для региона, где установлено оборудование, используйте ограничитель перенапряжения.

### 10. Перегрузка

Не перегружайте розетки и удлинители. Это может привести к возгоранию или поражению электрическим током.

### 11. Предметы и жидкости

Никогда не вставляйте в отверстие устройства посторонние предметы, так как они могут коснуться электрических контактов или короткозамкнутых деталей, что может привести к возгоранию или поражению электрическим током. Избегайте попадания на оборудование жидкостей любого типа.

### 12. Обслуживание

Не пытайтесь самостоятельно обслуживать данное оборудование. Для проведения технического обслуживания обратитесь к квалифицированному специалисту.

### 13. Обслуживание при поломке

Отключите оборудование от розетки и обратитесь к квалифицированному специалисту при следующих условиях:

- Если поврежден шнур питания или вилка.
- Если прилипла жидкость или посторонние предметы попали в корпус.
- Если устройство попало под дождь или подверглось воздействию воды.
- Если оборудование не работает должным образом при выполнении инструкций по эксплуатации, выполните только те настройки, которые описаны в инструкции по эксплуатации, так как неправильная настройка других параметров может привести к повреждению и дорогостоящему ремонту для восстановления оборудования.
- Если устройство уронили или поврежден корпус.
- Если в работе оборудования наблюдаются заметные изменения, необходимо провести техническое обслуживание.

### 14. Запасные части

При необходимости замены деталей убедитесь, что специалист по обслуживанию использует только разрешенные производителем запасные детали или же детали с характеристиками оригинальных частей. Несанкционированная замена деталей может привести к возгоранию, поражению электрическим током или другим рискам.

### 15. Проверка безопасности

После завершения обслуживания или ремонта оборудования попросите специалиста по обслуживанию провести проверку безопасности, чтобы убедиться, что оборудование находится в надлежащем рабочем состоянии.

### 16. Установка на месте

Данная установка должна проводиться квалифицированным специалистом и соответствовать всем местным нормам и правилам.

### 17. Подходящие батареи

Предупреждение: Если установлен неправильный тип батареи, существует риск взрыва. Заменять только точно такими же батареями или батареями аналогичного типа. Истощенные батареи должны быть утилизированы в соответствии с инструкциями. Аккумуляторная батарея не должна подвергаться повышению тепловому воздействию от таких источников, как солнечный свет, огонь и т.п.

### 18. Рекомендуемая температура окружающей среды

Рекомендуемая максимальная температура окружающей среды (T<sub>max</sub>) для оборудования должна быть указана для того, чтобы покупатель и монтажник могли определить максимальную рабочую температуру окружающей среды для оборудования.



# Заявление о соответствии требованиям Федеральной комиссии по связи (FCC)

ДАННОЕ ОБОРУДОВАНИЕ БЫЛО ПРОТЕСТИРОВАНО И ПРИЗНАНО СООТВЕТСТВУЮЩИМ ВСЕМ ОГРАНИЧЕНИЯМ ДЛЯ ЦИФРОВЫХ УСТРОЙСТВ КЛАССА А СОГЛАСНО ЧАСТИ 15 ПРАВИЛ FCC. ЭТИ ОГРАНИЧЕНИЯ РАЗРАБОТАНЫ ДЛЯ НАДЛЕЖАЩЕЙ ЗАЩИТЫ ОТ ВРЕДНОГО ИЗЛУЧЕНИЯ ПРИ ЭКСПЛУАТАЦИИ ОБОРУДОВАНИЯ В КОММЕРЧЕСКОЙ СРЕДЕ. ДАННОЕ ОБОРУДОВАНИЕ ГЕНЕРИРУЕТ, ИСПОЛЪЗУЕТ И МОЖЕТ ИЗЛУЧАТЬ РАДИОЧАСТОТНУЮ ЭНЕРГИЮ, КОТОРАЯ, В СЛУЧАЕ ИСПОЛЬЗОВАНИЯ ИЛИ УСТАНОВКИ С НАРУШЕНИЯМИ ИНСТРУКЦИЙ, МОЖЕТ СОЗДАВАТЬ ПОМЕХИ РАДИОСВЯЗИ. ЭКСПЛУАТАЦИЯ ДАННОГО ОБОРУДОВАНИЯ В ЖИЛОЙ ЗОНЕ МОЖЕТ ВЫЗВАТЬ ВРЕДНЫЕ ПОМЕХИ, И В ЭТОМ СЛУЧАЕ ПОЛЬЗОВАТЕЛЬ ДОЛЖЕН БУДЕТ УСТРАНИТЬ ПОМЕХИ ЗА СВОЙ СЧЕТ.

**ПРЕДУПРЕЖДЕНИЕ:** ЛЮБЫЕ ИЗМЕНЕНИЯ ИЛИ МОДИФИКАЦИИ ИЗДЕЛИЯ БЕЗ СОГЛАСОВАНИЯ С КОМПЕТЕНТНЫМ ОРГАНОМ МОГУТ ЛИШИТЬ ВАС ПРАВА НА ИСПОЛЬЗОВАНИЕ ОБОРУДОВАНИЯ. ДАННЫЙ КЛАСС ЦИФРОВОЙ АППАРАТУРЫ СООТВЕТСТВУЕТ ВСЕМ ТРЕБОВАНИЯМ РЕГУЛИРУЮЩИХ ОРГАНОВ КАНАДЫ К ОБОРУДОВАНИЮ — ИСТОЧНИКУ ИНТЕРФЕРЕНЦИИ.

## Утилизация отходов производства электрического и электронного оборудования

**Правильная утилизация данного устройства (применимо в ЕС и других европейских странах с раздельными системами сбора отходов)**



Данная маркировка на изделии или документации к нему указывает, что оно не подлежит утилизации совместно с другими бытовыми отходами по истечении срока годности. Чтобы избежать вредного воздействия на окружающую среду или здоровье человека вследствие бесконтрольной утилизации отходов, данные отходы подлежат отделению от других типов отходов и тщательной переработке для повторного использования.

При использовании оборудования в бытовых условиях пользователям следует выяснять, куда и каким образом доставить его в целях переработки для повторного использования.

При промышленном использовании пользователям следует связаться с поставщиком для выяснения соответствующих условий договора купли-продажи. Данное изделие подлежит утилизации отдельно от других промышленных отходов.

## Обозначения, связанные с техникой безопасности

Значок	Публикация	Описание
	IEC 60417, № 5031	Постоянный ток

## Авторские права

© 2021 IDIS Co., Ltd.

Корпорация IDIS, Ltd. сохраняет за собой все права на данный документ.

Частичное или полное использование или копирование этого документа без предварительного получения согласия корпорации IDIS, Ltd. строго запрещено.

Содержимое данного документа может быть изменено без предварительного уведомления по причинам, связанным с расширением функциональных возможностей.

## Зарегистрированные товарные знаки

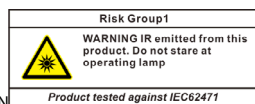
IDIS является зарегистрированным товарным знаком корпорации IDIS, Ltd.

Все остальные наименования компаний и продуктов являются зарегистрированными товарными знаками соответствующих владельцев.

Программное обеспечение в составе данного устройства содержит программное обеспечение с открытым исходным кодом. Вы можете получить соответствующий исходный код, который распространяется нами на основании политики лицензий. Подробнее можно узнать на странице **Система > Общие**. Этот продукт содержит программное обеспечение, разработанное Калифорнийским университетом в Беркли и его авторами, а также программное обеспечение, разработанное в рамках проекта OpenSSL для использования в инструментарии OpenSSL (<http://www.openssl.org/>). Кроме того, этот продукт включает криптографическое программное обеспечение, написанное Эриком Янгом (eay@cryptsoft.com).

Информация, приведенная в данном руководстве, является верной на момент публикации, несмотря на то, что в ней может отсутствовать пояснение некоторых функций. Изготовитель не несет ответственность за любые проблемы, возникшие в результате использования продукта. Информация, содержащаяся в этом документе, может быть изменена без предварительного уведомления. В случае внесения поправок может быть издан документ с исправлениями или его новые редакции.

Охраняется одним или несколькими пунктами патентных формул, указанных на сайте [patentlist.accessadvance.com](http://patentlist.accessadvance.com).



**Предупреждение:** Изделие является источником инфракрасного излучения. Запрещается смотреть внутрь инфракрасного светодиода.

# Комплектация

Во время приобретения устройства проверьте коробку, чтобы убедиться, что в комплект включены следующие принадлежности. В зависимости от ситуации некоторые детали могут быть разными.

## Элемент

Сетевая камера	Краткое руководство пользователя
Клеммный блок (2 шт.)	Винты (3 шт.)
Защитный соединительный провод (только для моделей DC-D4236WRX, DC-D4236HRX)	Осушитель (только для моделей DC-D4236WRX, DC-D4236HRX)
Торцовый ключ (только для моделей DC-D4236WRX, DC-D4236HRX)	Шаблон для ориентира

Пожалуйста, скачайте программное обеспечение (IDIS Discovery, IDIS Center, IDIS Solution Suite Compact) и руководство пользователя по следующей ссылке:

- Веб-сайт IDIS ([www.idisglobal.com](http://www.idisglobal.com))

- Найдите IDIS Discovery, IDIS Center, IDIS Solution Suite Compact.

## Обзор

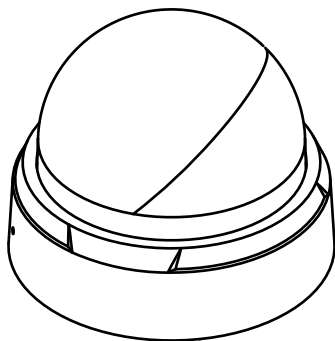
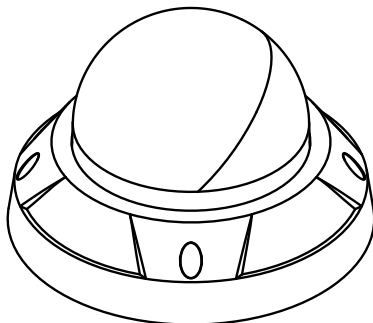
### DC-D4236WRX, DC-D4236HRX



- Цвет и конструкция устройства зависят от модели.
- Подробные сведения о каждом шифре детали см. в руководстве.

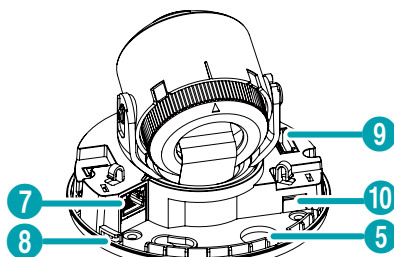
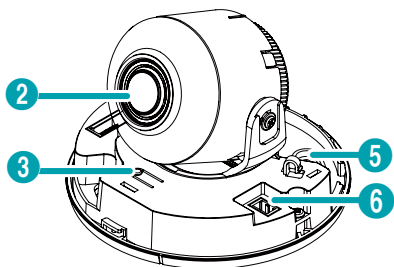
### Купольная крышка

#### DC-D4236X, DC-D4236RX

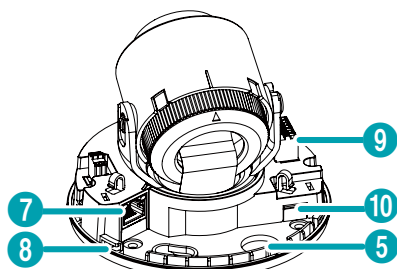
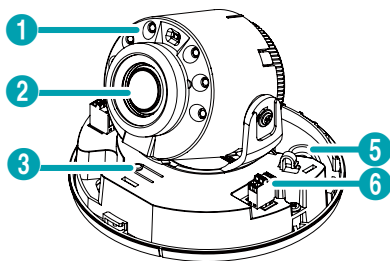


## Корпус

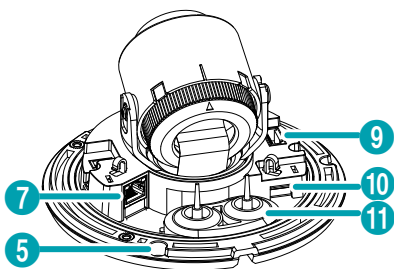
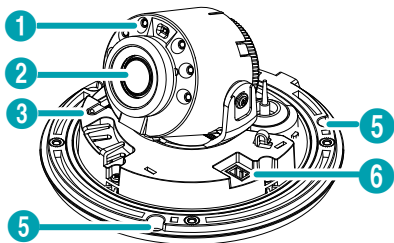
DC-D4236X



DC-D4236RX







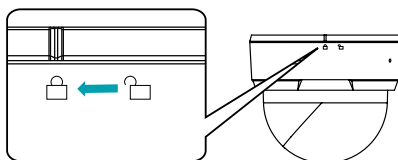
1	ИК-светодиод	7	Сетевой порт
2	Объектив	8	Деталь для сборки купольной крышки
3	Кнопка сброса до заводских настроек	9	Тревожный вход/выход, аудио вход/выход, видеовыход (CVBS)
4	Встроенный микрофон	10	Слот карты памяти SD
5	Отверстие для установки на стене/потолке	11	Кабельная резина
6	Питание		

## Установка камеры

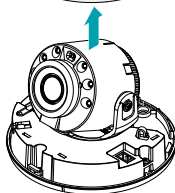
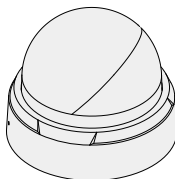
### Съем купольной крышки

#### DC-D4236X, DC-D4236RX

- 1 Поверните купольную крышку против часовой стрелки.

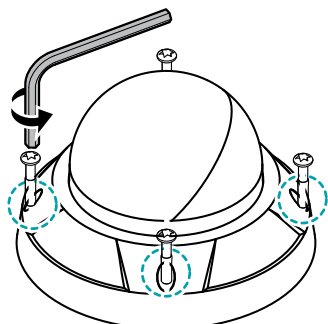


- 2 Снимите купольную крышку.

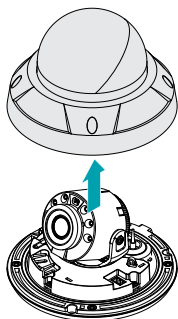


#### DC-D4236WRX, DC-D4236HRX

- 1 Открутите винты против часовой стрелки с помощью торцового ключа, который поставляется в комплекте с устройством.



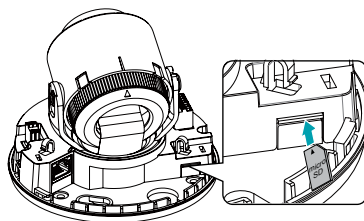
2 Снимите купольную крышку.



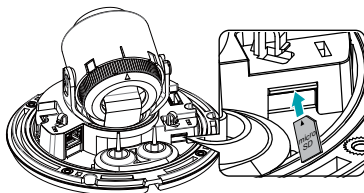
## Установка SD-карты памяти

Вставьте SD-карту памяти в соответствующее гнездо, при этом надпись «micro SD» должна быть сверху.

### DC-D4236X, DC-D4236RX



### DC-D4236WRX, DC-D4236HRX



✓ Нажимайте на SD-карту памяти до тех пор, пока она не выйдет из гнезда, после чего выньте ее.

✓ Логотип microSD является товарным знаком SD-3C, LLC. 

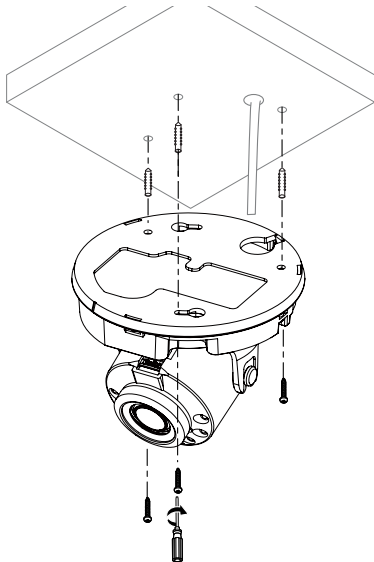
## Установка

- ⚠ Проверьте, нужно ли укрепить стену или потолок. Камера может упасть, если стена или потолок недостаточно крепкие, чтобы выдержать ее вес.
- Установите камеру в тени. Попадание на камеру прямого солнечного света может отрицательно отразиться на ее работе.

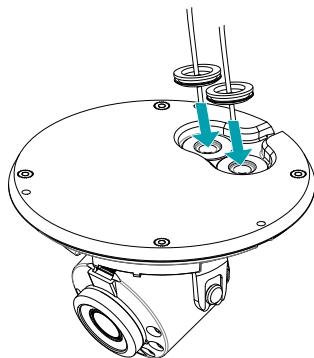
## DC-D4236X, DC-D4236RX

- 1 Закрепите корпус на стене или потолке с помощью винтов и дюбелей, которые поставляются вместе с камерой.

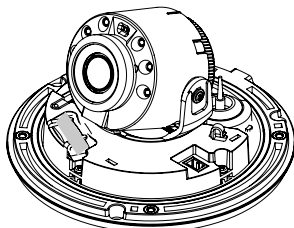
Используйте поставляемый шаблон для ориентира, чтобы проверить расстояние между винтами.



- 2 Подсоедините внешние устройства, сетевой кабель и блок питания.
- 3 Отрегулируйте угол. Дополнительные сведения см. в разделе **Регулирование угла**.



- 3 Чтобы предотвратить образование влаги, прикрепите к низу корпуса осушитель.



- 4 Закрепите корпус на стене или потолке с помощью винтов и дюбелей, которые поставляются вместе с камерой.

Используйте поставляемый шаблон для ориентира, чтобы проверить расстояние между винтами.

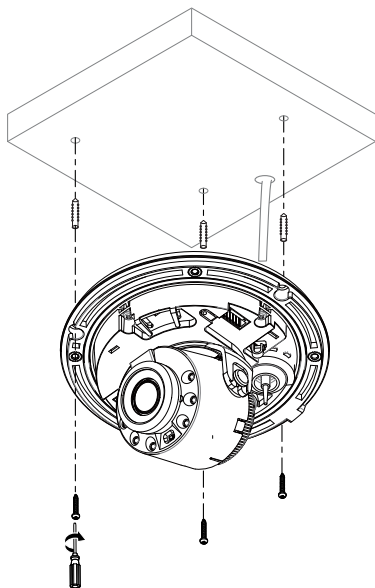
## DC-D4236WRX, DC-D4236HRX

- 1 Протяните сетевой кабель через кабельную резину с помощью защитного провода из комплекта поставки.



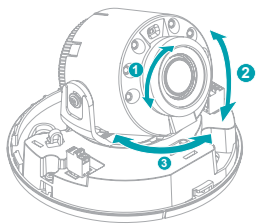
Кабельная резина      Защитный соединительный провод      Кабель

- 2 Прикрепите кабельную резину к нижней крышке.



- 5 Подсоедините внешние устройства, сетевой кабель и блок питания.
- 6 Отрегулируйте угол. Дополнительные сведения см. в разделе **Регулирование угла**.

## Регулирование угла

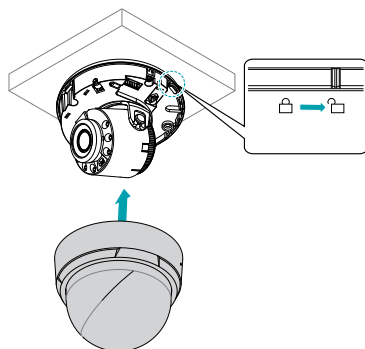


1	Поворот объектива	3	Поворот по горизонтали
2	Поворот по вертикали		

## Закрытие купольной крышки

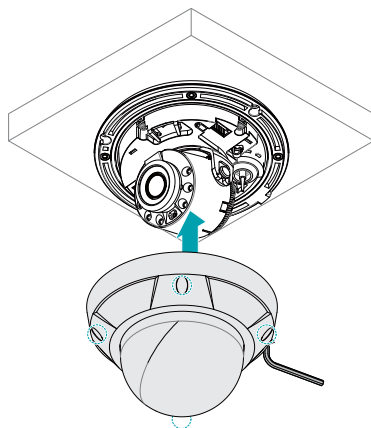
### DC-D4236X, DC-D4236RX

Прикрепите купольную крышку к задней крышке. Поверните купольную крышку по часовой стрелке для фиксации.



### DC-D4236WRX, DC-D4236HRX

Затяните винты на купольной крышке по часовой стрелке с помощью торцевого ключа, который поставляется вместе с камерой.



- Прежде чем закрыть купольную крышку, снимите защитную пленку внутри и снаружи.

# Технические характеристики

<b>Защита от вандалов</b>		Есть
<b>Готовность к работе на улице</b>		IP67, обогреватель
<b>Рабочая температура</b>	<b>DC-D4236X,</b> <b>DC-D4236RX</b>	-10°C - +50°C (14°F - +122°F)
	<b>DC-D4236WRX</b>	-20°C - +55°C (-4°F - +131°F)
	<b>DC-D4236HRX</b>	-40°C - +55°C (-40°F - +131°F)
<b>Начальная температура</b>	<b>DC-D4236X,</b> <b>DC-D4236RX</b>	0°C - +50°C (32°F - +122°F)
	<b>DC-D4236WRX</b>	0°C - +55°C (32°F - +131°F)
	<b>DC-D4236HRX</b>	-20°C - +55°C (-4°F - +131°F)
<b>Рабочая влажность</b>		0 - 90 %
<b>Источник питания</b>	<b>DC-D4236X</b>	12 В $\overline{---}$ , PoE (IEEE 802.3af, класс 2)
	<b>DC-D4236RX,</b> <b>DC-D4236WRX,</b> <b>DC-D4236HRX</b>	12 В $\overline{---}$ , PoE (IEEE 802.3af, класс 3)
<b>Потребляемая мощность</b>	<b>DC-D4236X</b>	12 В $\overline{---}$ , 0,38 А, 4,6 Вт PoE, IEEE 802.3af (класс 2), 4,7 Вт
	<b>DC-D4236RX</b>	12 В $\overline{---}$ , 0,64 А, 7,7 Вт PoE, IEEE 802.3af (класс 3), 7,6 Вт
	<b>DC-D4236WRX</b>	12 В $\overline{---}$ , 0,64 А, 7,7 Вт PoE, IEEE 802.3af (класс 3), 7,8 Вт
	<b>DC-D4236HRX</b>	12 В $\overline{---}$ , 0,95 А, 11,4 Вт PoE, IEEE 802.3af (класс 3), 10,3 Вт
<b>Сертификации</b>		FCC, IK10
<b>Внешние габариты (Ø x В)</b>	<b>DC-D4236X,</b> <b>DC-D4236RX</b>	122 мм x 103,40 мм (4,8 дюйма x 4,07 дюйма)
	<b>DC-D4236WRX,</b> <b>DC-D4236HRX</b>	155 мм x 105 мм (6,1 дюймов x 4,13 дюймов)
<b>Масса (основного блока)</b>	<b>DC-D4236X</b>	0,35 кг (0,77 фунта)
	<b>DC-D4236RX</b>	0,37 кг (0,81 фунта)
	<b>DC-D4236WRX</b>	0,985 кг (2,17 фунта)
	<b>DC-D4236HRX</b>	0,99 кг (2,18 фунта)

- **Производитель:** IDIS Co., Ltd
- **Адрес:** Республика Корея, 8-10, Techno 3-ro, Yuseong-gu, Daejeon, 34012



- **Импортер:** ООО «Авикс Дистрибьюторский Центр» (ООО «Авикс ДЦ»)
- **Адрес:** 115093, г. Москва, ул. Большая Серпуховская, дом 44, помещение I, комната 19

- Дата изготовления устройства отмечена в серийном номере изделия, указанном на корпусе: седьмая и восьмая цифра слева обозначают год производства, девятая и десятая - месяц. Дополнительные сведения смотрите на веб-сайте [www.idisglobal.ru](http://www.idisglobal.ru)







**IDIS Co., Ltd.**

For more information, please visit  
[www.idisglobal.com](http://www.idisglobal.com)