



EN50131-2-4
EN50131-1
PD6662:2010
Security Grade 3
Environmental Class 2

KX15DTAM[®]

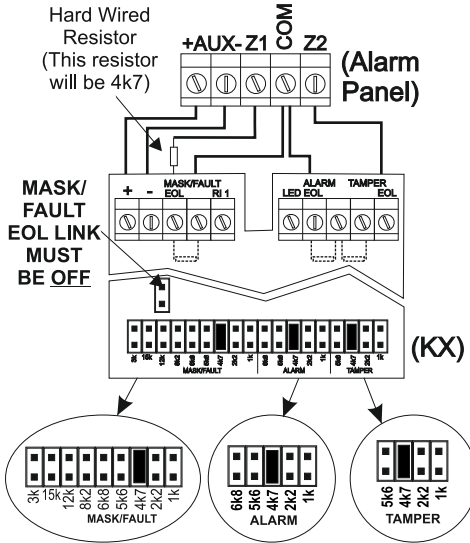
15m Dual Technology and Anti-Masking Digital Detector

Conventional Connections



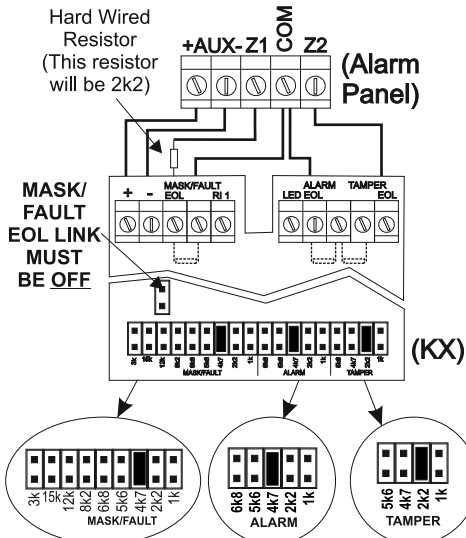
Pyronix

DEOL HEADERS EXAMPLE



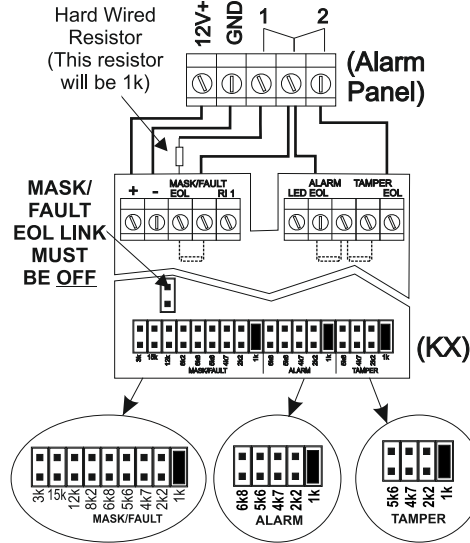
Castle Care-Tech

DEOL HEADERS EXAMPLE



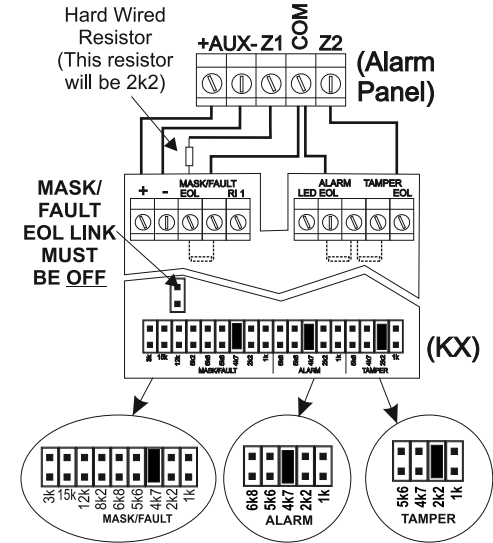
Honeywell

DEOL HEADERS EXAMPLE



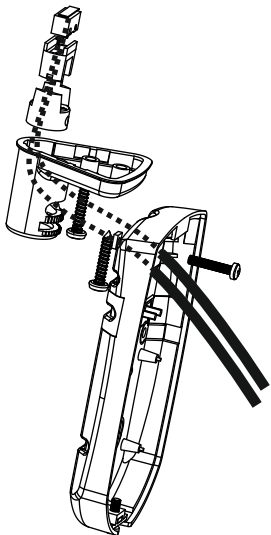
Menvier/Cooper

DEOL HEADERS EXAMPLE

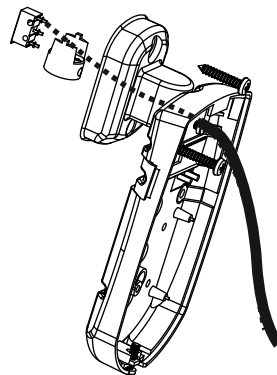


The KX Brackets

Ceiling Bracket Fitting

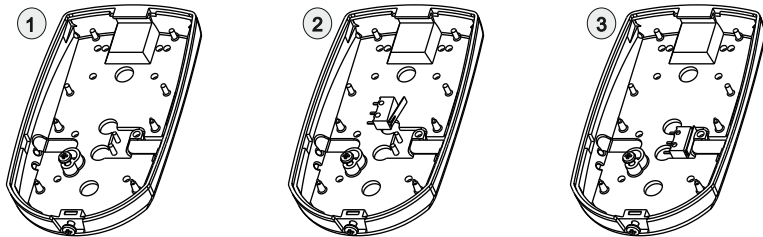


Wall Bracket Fitting

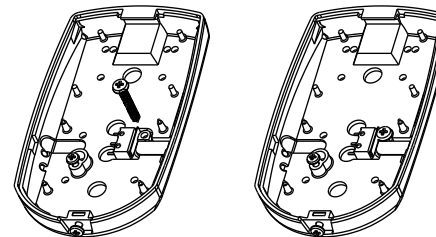


The KX Rear Tamper Switch

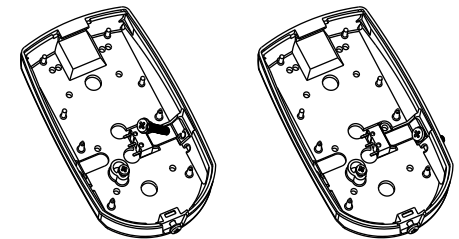
The rear tamper switch fixes to the back of the casing, as shown in the stages below:



If the KX is mounted on a flat surface, the tamper screw (recommend size is no 6 x 1" (not supplied)) must be located as shown below.



If the KX is mounted in a corner, the tamper screw (recommend size is no 6 x 1" (not supplied)) must be located as shown below.





EN50131-2-4
EN50131-1
PD6662:2010
Security Grade 3
Environmental Class 2

KX15DTAM[®]

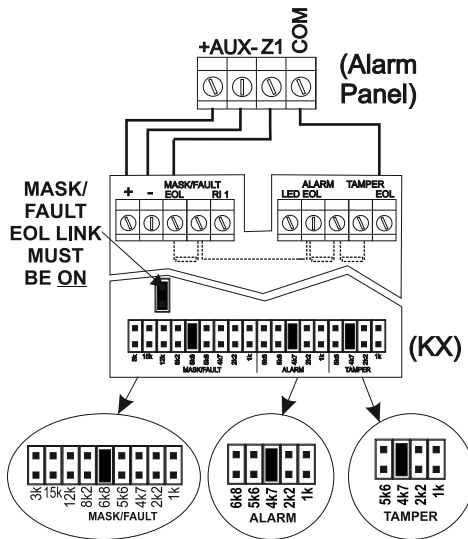
15m Dual Technology and Anti-Masking Digital Detector

Grade 3 Connections



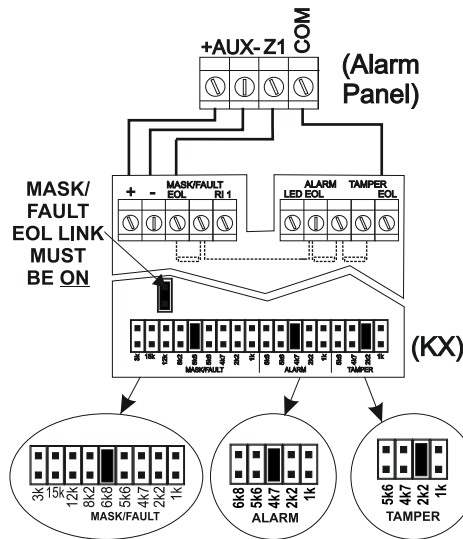
Pyronix

DEOL TO CONTROL PANEL WHICH WILL SUPPORT ALARM, MASK/FAULT AND TAMPER ON A SINGLE ZONE EXAMPLE.



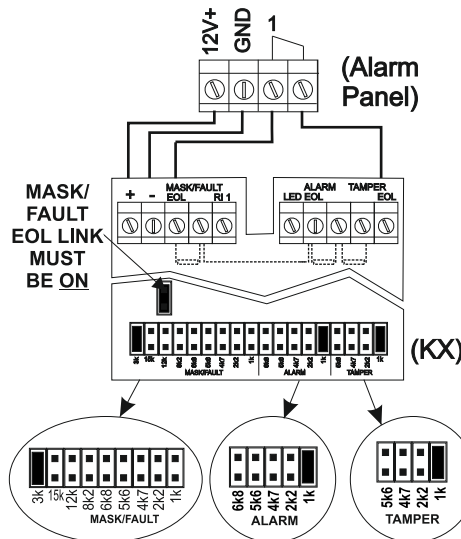
Castle Care Tech

DEOL TO CONTROL PANEL WHICH WILL SUPPORT ALARM, MASK/FAULT AND TAMPER ON A SINGLE ZONE EXAMPLE.



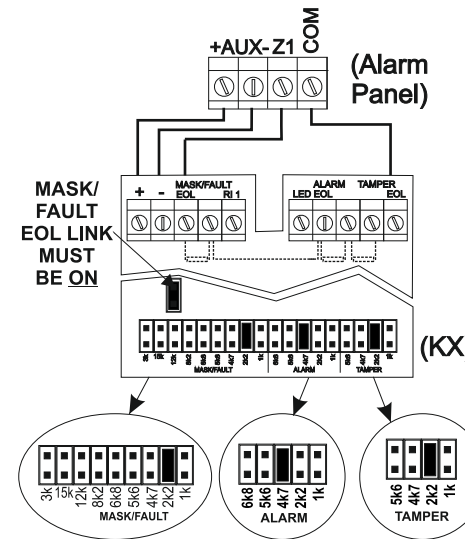
Honeywell

DEOL TO CONTROL PANEL WHICH WILL SUPPORT ALARM, MASK/FAULT AND TAMPER ON A SINGLE ZONE EXAMPLE.



Menvier/Coopers

DEOL TO CONTROL PANEL WHICH WILL SUPPORT ALARM, MASK/FAULT AND TAMPER ON A SINGLE ZONE EXAMPLE.



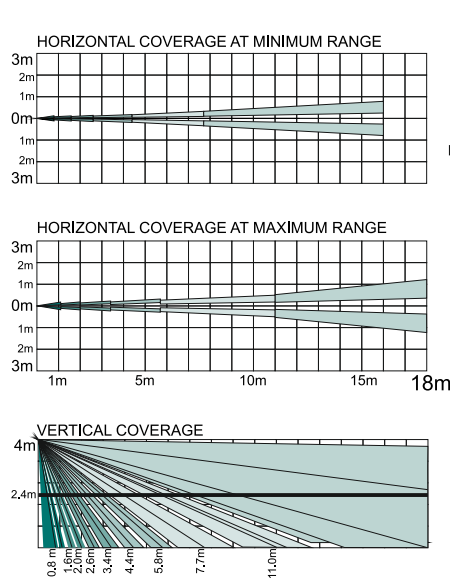
Contact Details



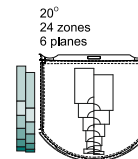
Pyronix Limited, Pyronix House
Braithwell Way, Hellaby,
Rotherham, S66 8QY, UK

Customer Support:
+44(0)845 6434 999 (local rate)
or +44(0)1709 535225
Hours: Mon to Fri, 8:00am till 6:30pm
Email: customer.support@pyronix.com
Website: www.pyronix.com

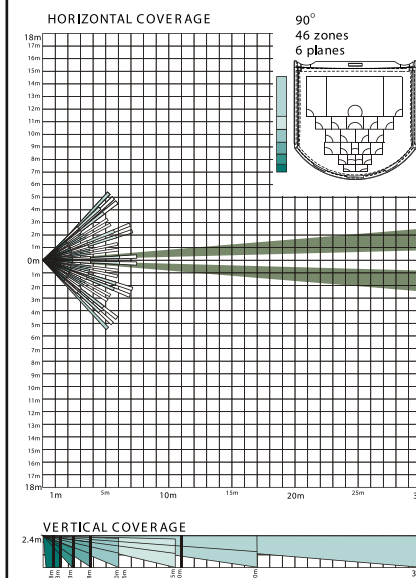
18m Vertical Curtain Lens



OFF ON
AM PIR Dual Tech Mode
Dual Tech Mode
Please note Dip Switch 2 must be OFF when using this lens.



30m Long Range Lens



OFF ON
AM PIR Dual Tech Mode
Dual Tech Mode
Please note Dip Switch 2 must be OFF when using this lens.