

THREELINE



KLAUS

**HIGH EFFICIENCY
WATERPROOF LIGHT FITTING
WITH SEMITRANSSPARENT DIFFUSER**





Actual 120lm/W

STAINLESS STEEL BRACKET
SURFACE INSTALLATION

140lm/W
INTEGRATED LED MODULE

POLYCARBONATE BODY

G13 WATERPROOF CONNECTOR

KLAUS is THREELINE's last novelty in waterproof light fittings.

With a handy design and standard 60cm, 120cm and 150cm sizes, this luminaire has different customization options regarding dimming (**1-10v, Dali or Push**), **motion sensor** and **emergency kit** options. Besides, the fitting integrates a TRIDONIC driver.

KLAUS' main features are 120 lm/W real efficiency, easy installation and IP65 ingress protection.

The **semitransparent polycarbonate diffuser**, as opposed to opal, constitutes a differentiating factor as compared to the rest in the LED market by providing an optimal light transmission factor.

Our design allows light to be uniform, thus avoiding shadows and glare.

SEMITRANSSPARENT POLYCARBONATE DIFFUSER

STAINLESS STEEL BRACKET

TRIDONIC DRIVER

EMERGENCY KIT

INTERNAL MOTION SENSOR

EXTERNAL MOTION SENSOR

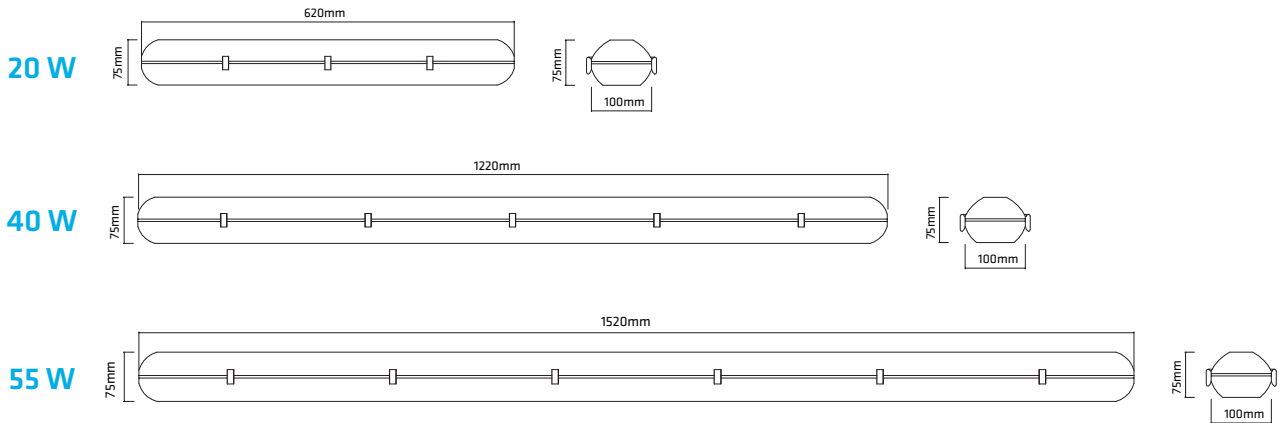
REMOTE CONTROL
ref. MSC65

DIMMING OPTIONS

- 1-10V
- DALI
- PUSH

CUSTOMIZING
OPTIONS

KLAUS



	CCT	≡	W	N	
KLS60-20BF	5700K	620 mm	20 W	2840 lm	2446 lm
KLS60-20BN	4000K	620 mm	20 W	2840 lm	2446 lm
KLS120-40BF	5700K	1220 mm	40 W	5680 lm	4885 lm
KLS120-40BN	4000K	1220 mm	40 W	5680 lm	4885 lm
KLS150-55BF	5700K	1520 mm	55 W	7810 lm	6682 lm
KLS150-55BN	4000K	1520 mm	55 W	7810 lm	6682 lm

OPCIONES

DALI	PUSH	1-10V	KE	1-10V	1-10V
KLS60-20DABF	KLS60-20D110BF	—	—	KLS60-20SMBF	KLS60-20SCBF
KLS60-20DABN	KLS60-20D110BN	—	—	KLS60-20SMBN	KLS60-20SCBN
KLS120-40DABF	KLS120-40D110BF	KLS120-40KEBF	—	KLS120-40SMBF	KLS120-40SCBF
KLS120-40DABN	KLS120-40D110BN	KLS120-40KEBN	—	KLS120-40SMBN	KLS120-40SCBN
KLS150-55DABF	KLS150-55D110BF	KLS150-55KEBF	—	KLS150-55SMBF	KLS150-55SCBF
KLS150-55DABN	KLS150-55D110BN	KLS150-55KEBN	—	KLS150-55SMBN	KLS150-55SCBN