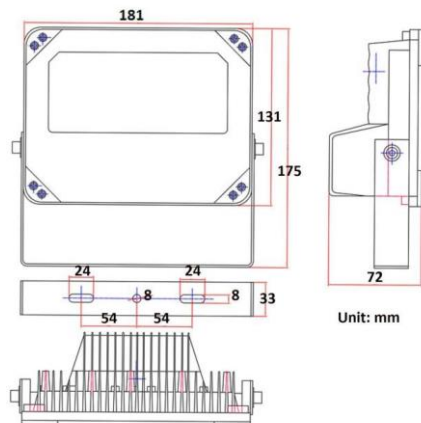


## 4. Dimension



# Instruction of IR Illuminator

## IR6

## 5. Models for selection

Model	Beam Angle	IR distance(850nm)
IR6-15	15°	120m
IR6-30	30°	90m
IR6-45	45°	70m
IR6-60	60°	50m
IR6-90	90°	40m
IR6-120	120°	20m

Actual viewing distance is depended on the performance of camera and lens



Our product is weatherproof and dustproof. Do not modify the shape, dismantle or reconfigure the product, any inflow of water cause by which are not be responsible for warranty repair.

Please strictly follow the below instructions when install this product!

## 1. Description

- Accurate constant circuit drive develops excellent performance of LED;  
Using high power LED, high efficacy and long service life;
- Improve performance of camera to get better pictures at night time.
- Fill Light for night vision camera
- Indoor/Outdoor use
- Easy installation

## 2. Specification

LED type: 6 pieces high power IR LED

Wavelength: 740nm/850nm/940nm

Beam angle: 15 to 120°

Beam distance: 120m to 20m

Bracket: wall mount bracket

Working voltage: 165-265V AC/12-24V DC/24V AC

Power consumption: 11W

Day/night switch: automatic

Working temperatures: -30 to 50°C(-50 to 50°C with heater)

Protection level: IP66

Color: beige/black

Panel: tempered glass panel+IR passing plastic

Housing: aluminum die-casting housing

N.W: 1.2KG

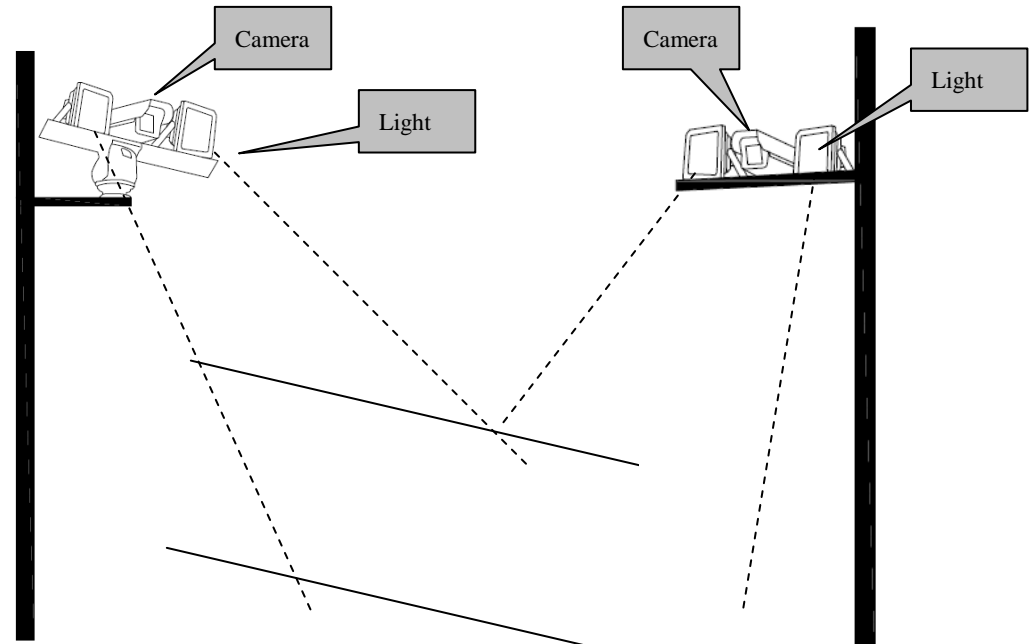
G.W: 1.5KG

Dimension: 181\*131\*72mm

Packing dimension: 210\*180\*100mm

## 3. Installation

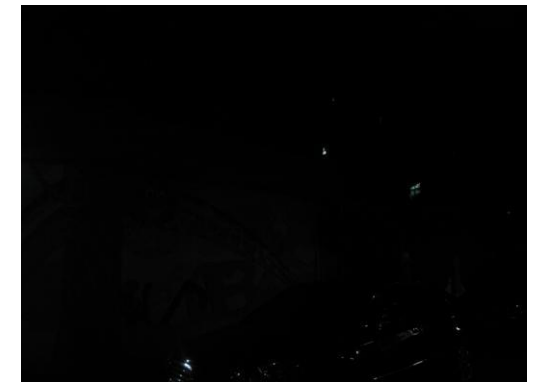
### 1、 Installation Graph



### 2、 Real Photos



Night time with IR Illuminator



Night time without IR Illuminator