

## DS-U04P 4 MP Web Camera



- 4 MP CMOS
- High quality imaging with 2560 × 1440 resolution
- Min. illumination: 0.1 Lux @ (F1.2, AGC ON)
- AGC for self-adaptive brightness
- Built-in microphone with clear sound
- Type A interface, supporting USB 2.0 protocol.  
Plug-and-play, no need to install driver software
- Support auto focus

## ▪ Specification

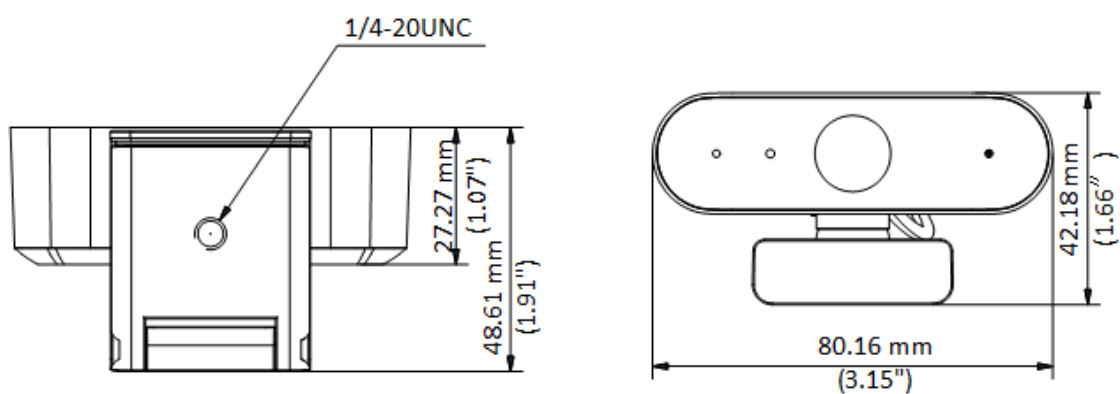
Camera	
Image Sensor	4 MP CMOS
Signal System	PAL/NTSC
Resolution	2560 (H) × 1440 (V)
Frame Rate	MJPG: 2560 × 1440 @ 30 fps/25 fps 1920 × 1080 @ 30 fps/25 fps 1280 × 960 @ 30 fps/25 fps 1280 × 720 @ 30 fps/25 fps 640 × 480 @ 30 fps/25 fps 640 × 360 @ 30 fps/25 fps  YUV: 1920 × 1080 @ 5 fps 1280 × 960 @ 5 fps 1280 × 720 @ 10 fps 640 × 480 @ 30 fps/25 fps 640 × 360@30 fps/25 fps
Min. Illumination	0.1 Lux @ (F1.2, AGC ON)
Shutter Time	PAL: 1/25 s to 1/50,000 s; NTSC: 1/30 s to 1/50,000 s
Lens	3.6 mm fixed focal lens
Field of View	horizontal FOV: 80°, vertical FOV: 50°, diagonal FOV: 88°
Lens Mount	M8
Day & Night	24/7 Color Imaging
Angle Adjustment	pan: 360°; tilt: -15° to 15°; rotation: 0°
Cable Length	1.5 m
Lens	
Depth of Field	10 cm to ∞
Audio	
Audio Sampling Rate	16 kHz
Interface	
Video Output	USB 2.0
Audio In	Built-in mic
Operating System	Recommended systems Windows 7/8/10/11 (resolution higher than 1080P is only available in Windows 8.1 and above version) Android 8.1 and above version Linux 4.14 and above version macOS 10.12 and above version Chrome OS
General	
Operating Conditions	-10 °C to 45 °C, Humidity: 90% or less (non-condensing)
Power Supply	DC5 V ± 5% (USB)
Consumption	Max. 1.6 W

Material	Plastic
Dimension	80.16 mm × 48.6 mm × 42.18 mm (3.16" × 1.91" × 1.66")
Weight	Approx. 93 g (0.2 lb.)
<b>Accessory</b>	
Packing List	Camera × 1 Quick Start Guide × 1

▪ **Available Model**

DS-U04P

▪ **Dimension**



**Headquarters**

No.555 Qianmo Road, Binjiang District,  
Hangzhou 310051, China  
T +86-571-8807-5998  
www.hikvision.com



Follow us on social media to get the latest product and solution information.

