

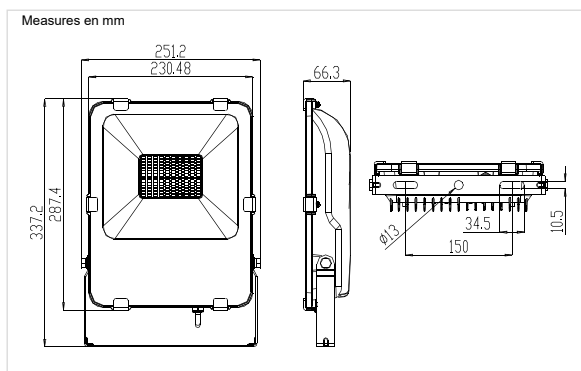
## PRG50W

50W led Projector

### Product



### Measurements

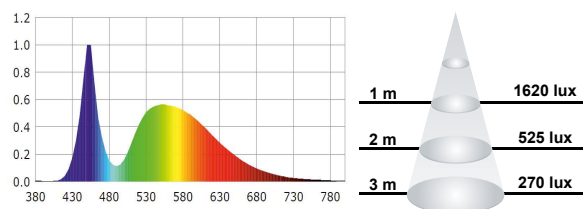


### Technical Data

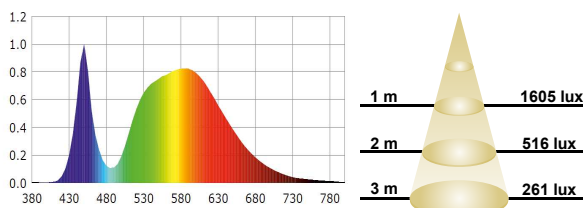
Ppower supply:	110~250Vac 50/60Hz
Power:	50W
Number of LEDs:	100 chips SMD 5730
Power Factor:	>0.90
Luminous efficiency:	90 lm/w
LED Power:	0.50W
Luminous flux	4500 lm (BF) 4450 lm (BN) 4400 lm (BC)
Luminous intensity:	1315cd
IK Code:	08
IP Code:	IP65
Operating temperature:	-10°C +40°C
Number of switching:	60.000
Certifications:	CE, RoHS
Energy efficiency:	A+
Useful life:	40.000h (L70:B10)
Weight:	2365 gramme

### Photometric data

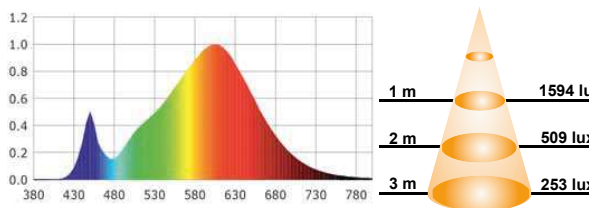
**Angle** =120°  
**Luminous Flux** =4500 lm  
**Colour Temperature CCT** =6000K (BF)  
**CRI** =>80



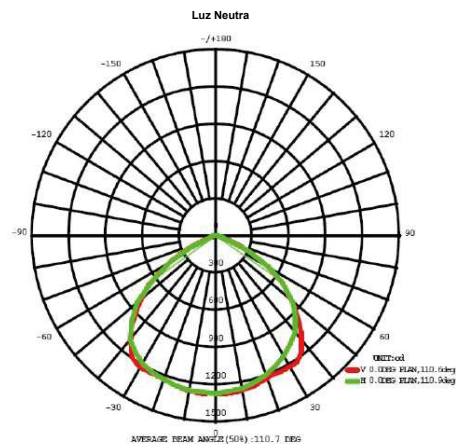
**Angle** =120°  
**Luminous Flux** =4450 lm  
**Colour Temperature CCT** =4000K (BN)  
**CRI** =>80



**Angle** =120°  
**Luminous Flux** =4400 lm  
**Colour Temperature CCT** =3000K (BC)  
**CRI** =>80 Luz Cálida



Luminous Intensity Distribution Curve



Chip utilizado

**EPistar**



**ThreeLine**  
TECHNOLOGY