

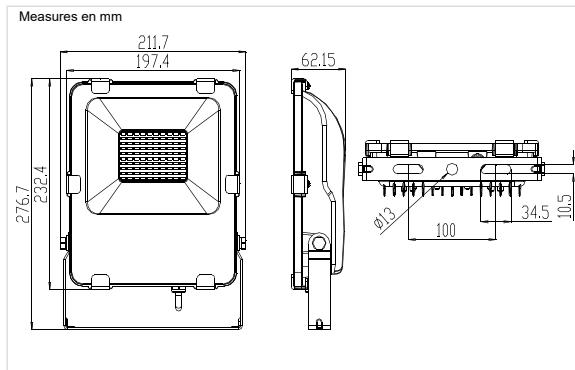
PRG30W

30W Led Projector

Product



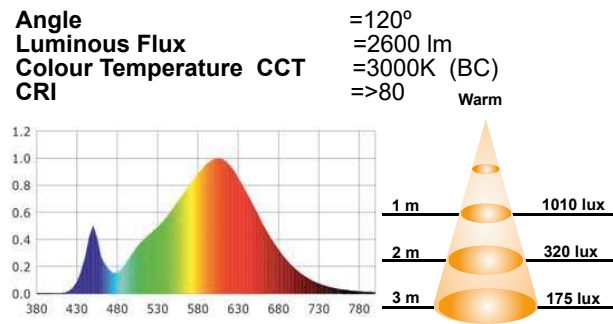
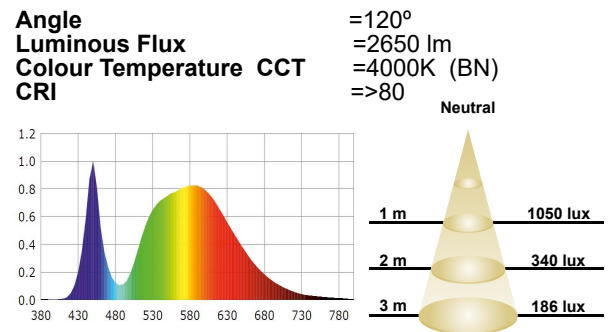
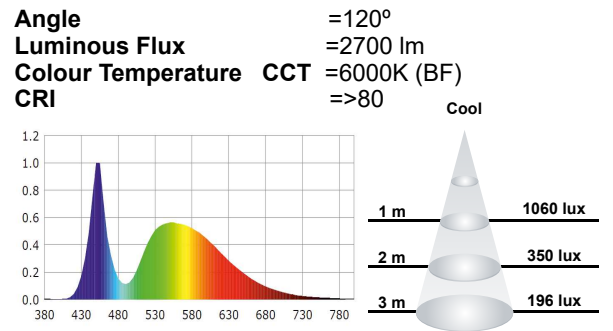
Measurements



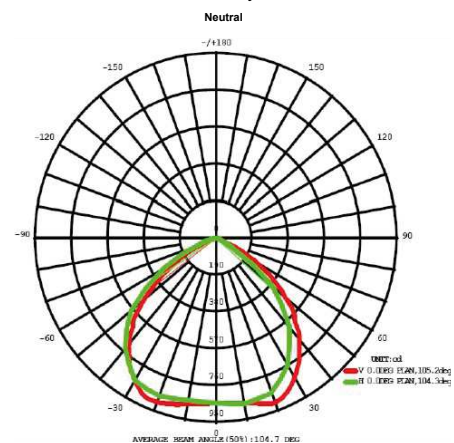
Technical data

Power supply:	110~250Vac 50/60Hz
Power:	30W
Number of LEDs:	60 chips SMD 5730
Power factor:	>0.90
Luminous efficiency:	90 lm/w
LED Power:	0.50W
Luminous flux:	2700 lm (BF) 2650 lm (BN) 2600 lm (BC)
Luminous intensity:	954cd
IK Code:	08
IP Code:	IP65
Operating temperature:	-10°C +40°C
Number of switching:	60.000
Certifications:	CE, RoHS
Energy efficiency:	A+
Useful life:	40.000h (L70:B10)
Weight:	1600 gramos

Photometric data



Luminous Intensity Distribution Curve



Chip utilizado

EPISTAR



ThreeLine
TECHNOLOGY