

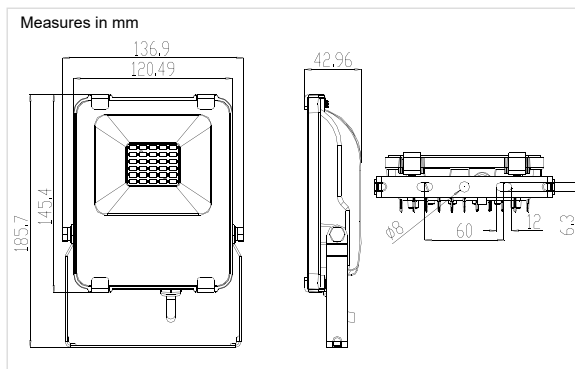
PRG10W

10W Led Projector

Product



Measurements

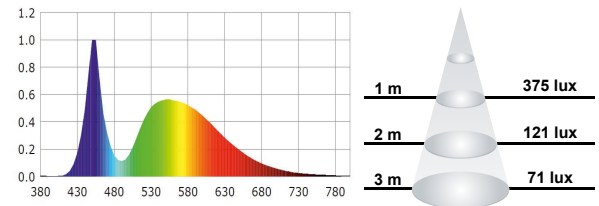


Technical data

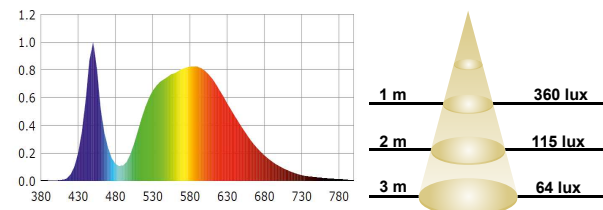
Power supply:	110~250Vac 50/60Hz
Power:	10W
Number of LEDs:	18 chips SMD 5730
Power factor:	>0.90
Luminous efficiency:	90 lm/w
Led Power:	0.55W
Luminous flux:	910 lm (BF) 900 lm (BN) 890 lm (BC)
Luminous intensity:	307cd
IK Code:	08
IP Code:	IP65
Operating temperature:	-10°C +40°C
Number of switching:	60.000
Certifications:	CE, RoHS
Energy Efficiency:	A
Useful life:	40.000h (L70:B10)
Weight:	565 gramme

Photometric data

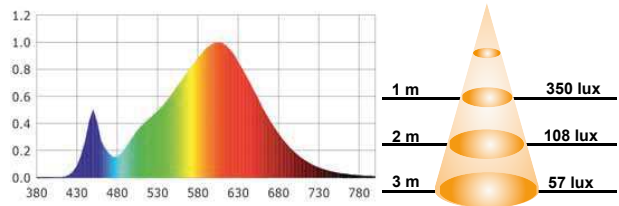
Angle =120°
Luminous Flux =910 lm
Colour Temperature CCT =6000K (BF)
CRI =>80



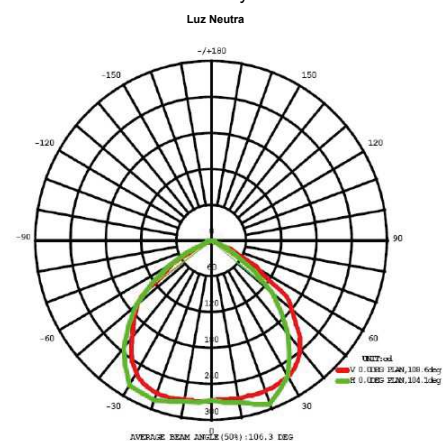
Angle =120°
Luminous Flux =900 lm
Colour Temperature CCT =4000K (BN)
CRI =>80



Angle =120°
Luminous Flux =890 lm
Colour Temperature CCT =3000K (BC)
CRI =>80



Luminous Intensity Distribution Curve



Chip utilizado

EPISTAR



ThreeLine
TECHNOLOGY