

ND20R-S

Round Surface DownLight

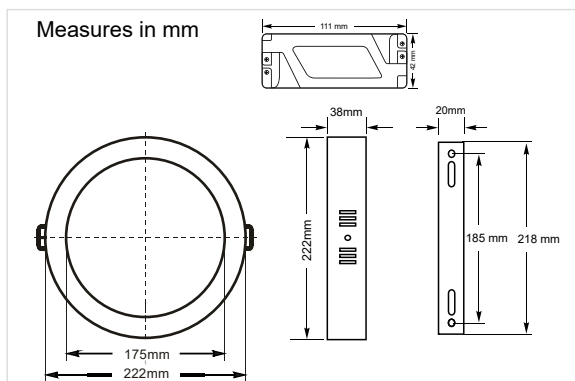
Finished:



Product



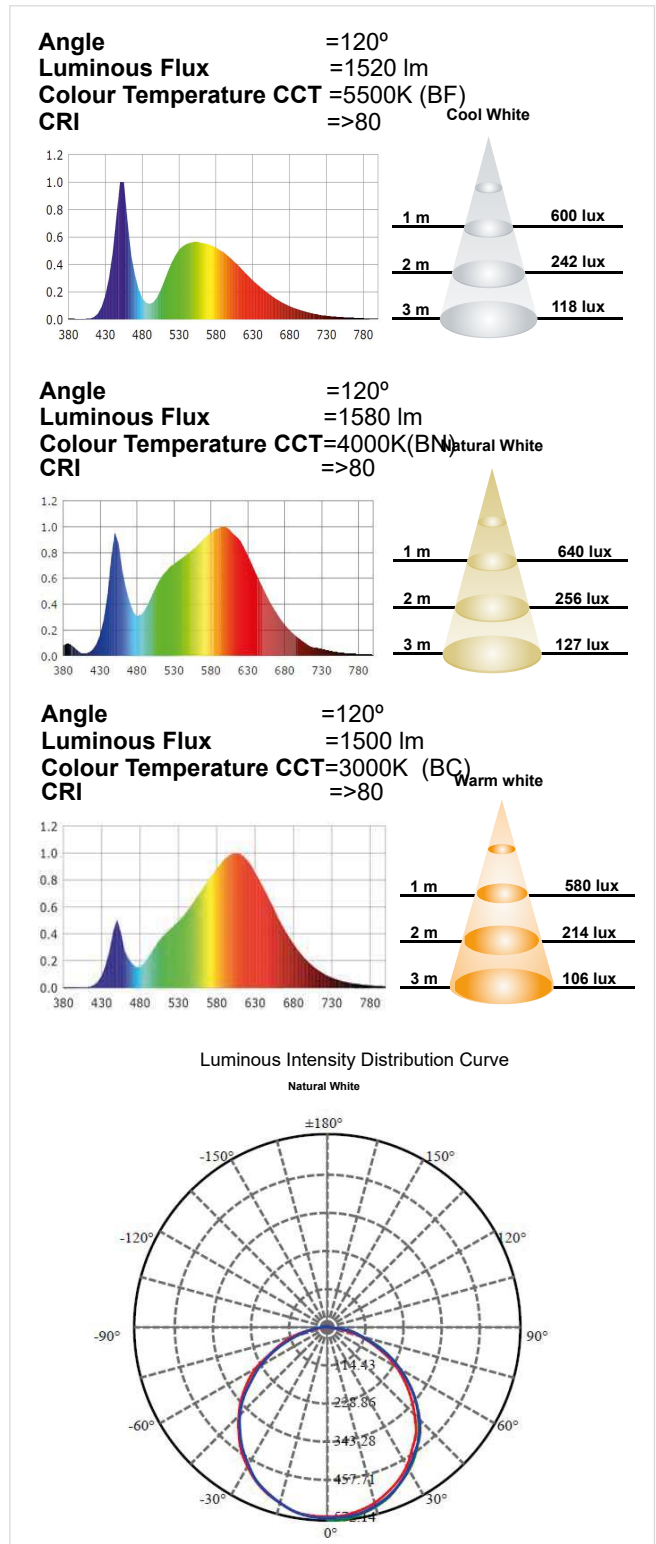
Measures



Technical Data

Power supply:	110~240Vac 50-60Hz
Power:	18W
Nº of LEDs:	80 chips SMD 2835
Power factor:	>0.90
Luminous efficiency:	88 lm/w
LED power:	0.22W
Luminous flux:	1520 lm (BF) 1580 lm (BN) 1500 lm (BC)
Luminous intensity:	572cd
IP Code:	IP20
Operating temperature:	-10°C +40°C
Nº of switching:	15.000
Certifications:	CE, RoHS
Energy Efficiency:	A+
Lifespan:	30.000h (L70:B10)
Weight:	670 grammes

Photometric data



Chip used

EPISTAR



ThreeLine
TECHNOLOGY