

ND20C-S

Square downlight for surface

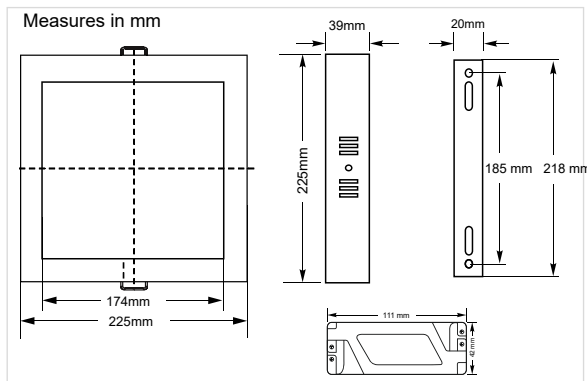
Finished:



Product



Measures

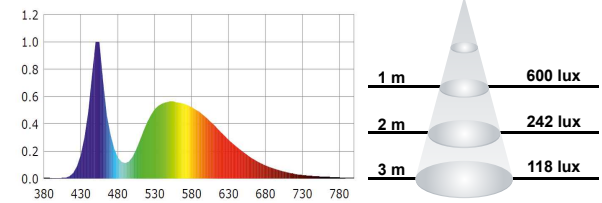


Technical Data

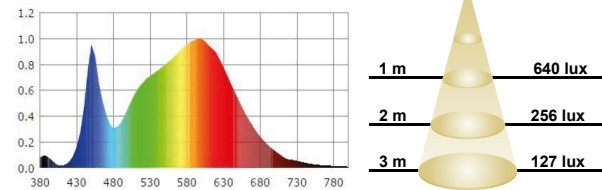
Power supply:	110~240Vac 50-60Hz
Power:	18W
Nº of LEDs:	80 chips SMD 2835
Power factor:	>0.90
Luminous efficiency:	88 lm/w
LED power:	0.22W
Luminous flux:	1520 lm (BF) 1580 lm (BN) 1500 lm (BC)
Luminous intensity:	572cd
IP Code:	IP20
Operating temperature:	-10°C +40°C
Nº of switching:	15.000
Certifications:	CE, RoHS
Energy Efficiency:	A+
Lifespan:	30.000h (L70:B10)
Weight:	810 grammes

Photometric data

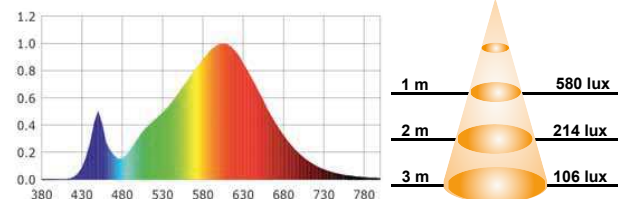
Angle =120°
Luminous Flux =1520 lm
Colour Temperature CCT =5500K (BF)
CRI =>80 Cool white



Angle =120°
Luminous Flux =1580 lm
Colour Temperature CCT=4000K (BN)
CRI =>80 Natural white

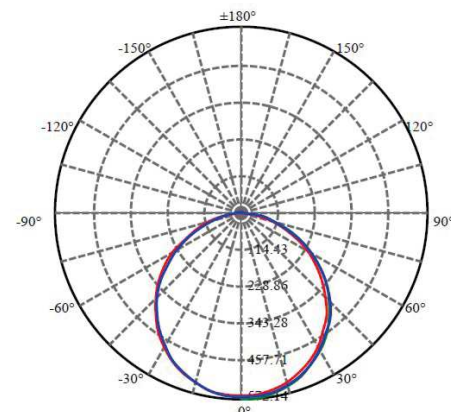


Angle =120°
Luminous Flux =1500 lm
Colour Temperature CCT=3000K (BC)
CRI =>80 Warm white



Luminous Intensity Distribution Curve

Natural white



Chip used

EPISTAR



ThreeLine TECHNOLOGY