

HM-TD1017-2/QW-HS121 Thermal Presence Detector



HIKMICRO thermal presence detector is designed for indoor usage. With thermal technology, it protects your privacy. The people number exception alert, offers you presence detection. The relay out can be linked for light, air condition system control to conserve energy. It is widely used in office, nursing room, meeting room, classroom, and library.

▪ Key Features

- 160 × 120 resolution, 17 μm , VOx UFPA, NETD < 50 mK (25°C, F1.1)
- People number exception and presence detection with thermal solution, protects your privacy.
- Temperature exception alarm for fire prevention, -10°C to 200°C (14°F to 392°F), $\pm 8^\circ\text{C}$ ($\pm 14.4^\circ\text{F}$)
- Relay out for light, air-condition system control, conserves energy
- High quality detector with 10 years Warranty.
- 2.4 GHz Wi-Fi, easy for set-up.

▪ Specification

Thermal Module	
Image Sensor	Vanadium Oxide Uncooled Focal Plane Arrays
Resolution	160 × 120
Pixel Pitch	17 μm
Spectral Range	8 μm to 14 μm
NETD	< 50 mK (25°C, F1.1)
Focal Length	1.9 mm
IFOV	8.95 mrad
Field of View	90.0° (H) × 65.3° (V)
Min. Focusing Distance	0.1 m
Aperture	F1.1
Smart Function	
Temperature Range	-10°C to 200°C (14°F to 392°F)
Temperature Accuracy	± 8°C (± 14.4°F)
Video and Audio	
Main Stream	Thermal: 25 fps (1280 × 720, 704 × 576, 640 × 512, 320 × 240)
Sub-stream	Thermal: 25 fps (704 × 576, 352 × 288, 320 × 240)
Video Compression	H.265/H.264
Network	
Protocols	IPv4/IPv6, HTTP, HTTPS, 802.1x, Qos, FTP, SMTP, UPnP, SNMP, DNS, DDNS, NTP, RTSP, RTCP, RTP, TCP, UDP, IGMP, ICMP, DHCP, PPPoE, Bonjour, SFTP, SRTP
Network Storage	MicroSD/SDHC/SDXC card (up to 256 GB) local storage, NAS (NFS, SMB/CIFS), Auto Network Replenishment (ANR)
API	ISAPI, HIKVISION SDK, and third-party management platform, Open Network Video Interface (Profile S, Profile G)
Simultaneous Live View	Up to 20 channels
User/Host level	Up to 32 users, 3 levels: Administrator, Operator, User
Security	User authentication (ID and Password), MAC address binding, HTTPS encryption, IEEE 802.1x(EAP-MD5, EAP-TLS), access control, IP address filtering
Client	iVMS-4200
Web Browser	Live view (plug-in allowed) : Internet Explorer 11 Live view (plug-in free) : Chrome 57.0 +, Firefox 52.0 + Local service : Chrome 57.0 +, Firefox 52.0 +
Interface	
Alarm Output	1, alarm output (alarm response actions configurable)
Alarm Action	SD recording/Relay output/Smart capture/FTP upload
Communication Interface	1, RS-485 interface (half duplex)

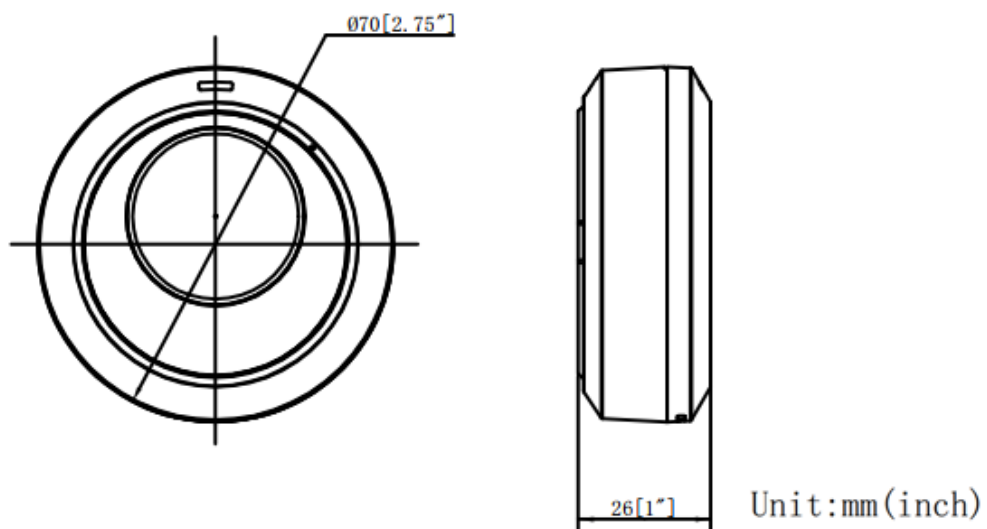
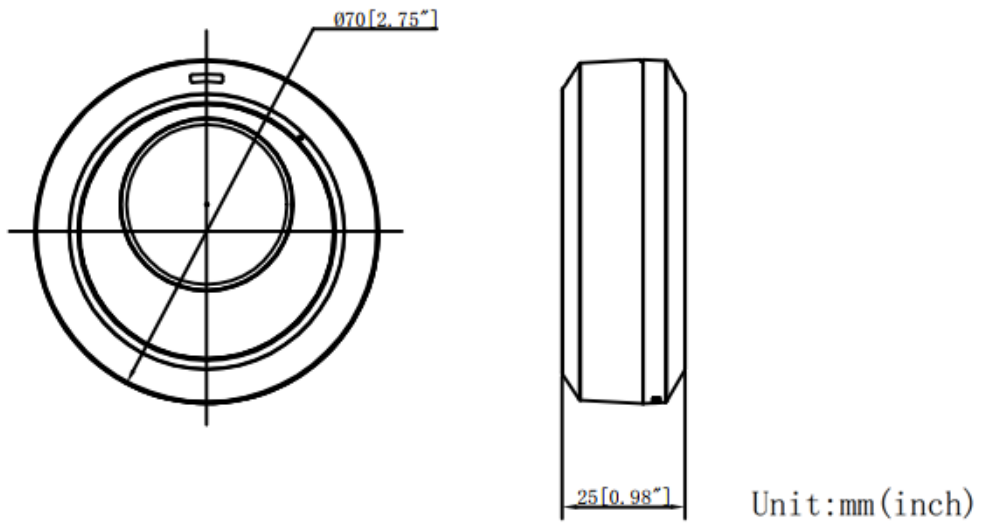
General

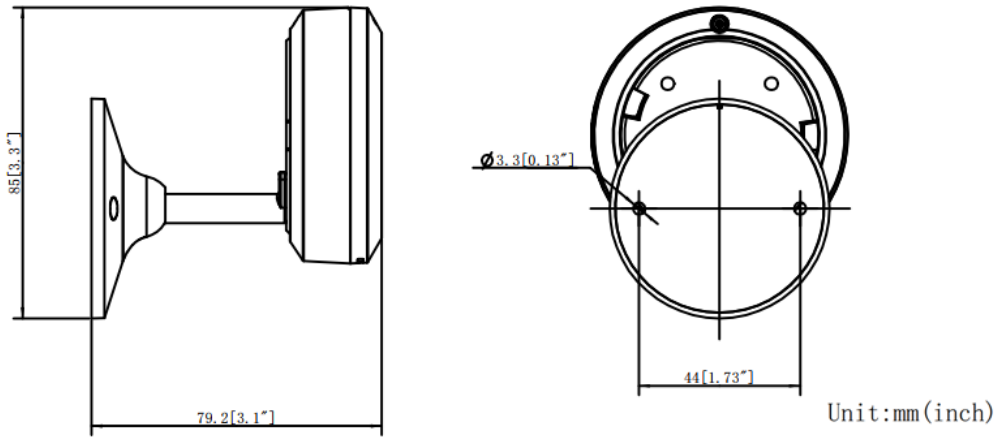
Web Client Language	32 languages English, Russian, Estonian, Bulgarian, Hungarian, Greek, German, Italian, Czech, Slovak, French, Polish, Dutch, Portuguese, Spanish, Romanian, Danish, Swedish, Norwegian, Finnish, Croatian, Slovenian, Serbian, Turkish, Korean, Traditional Chinese, Thai, Vietnamese, Japanese, Latvian, Lithuanian, Portuguese (Brazil)
Power Supply	5 to 16 VDC, type-C
Power Consumption	5 to 16 VDC: 0.22 to 0.7 A, Max. 3.5 W
Working Temperature/Humidity	Temperature: -10°C to 50°C (14°F to 122°F) Humidity: 95% or less
Dimensions	φ70mm × 25 mm (φ2.75" × 0.98")
Weight	100 g (0.22 lb)

▪ Available Model

HM-TD1017-2/QW-HS121

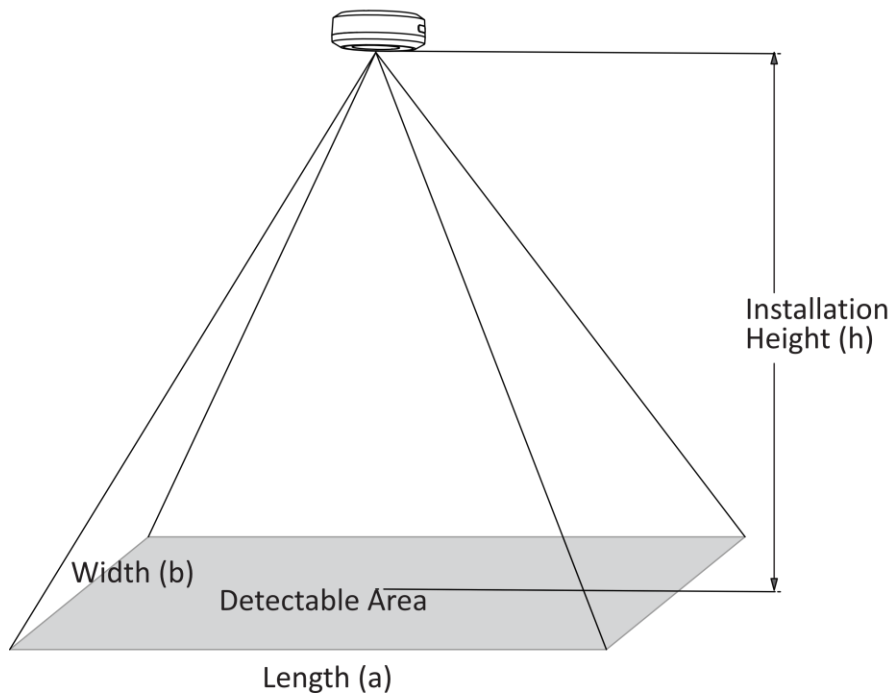
▪ Dimension



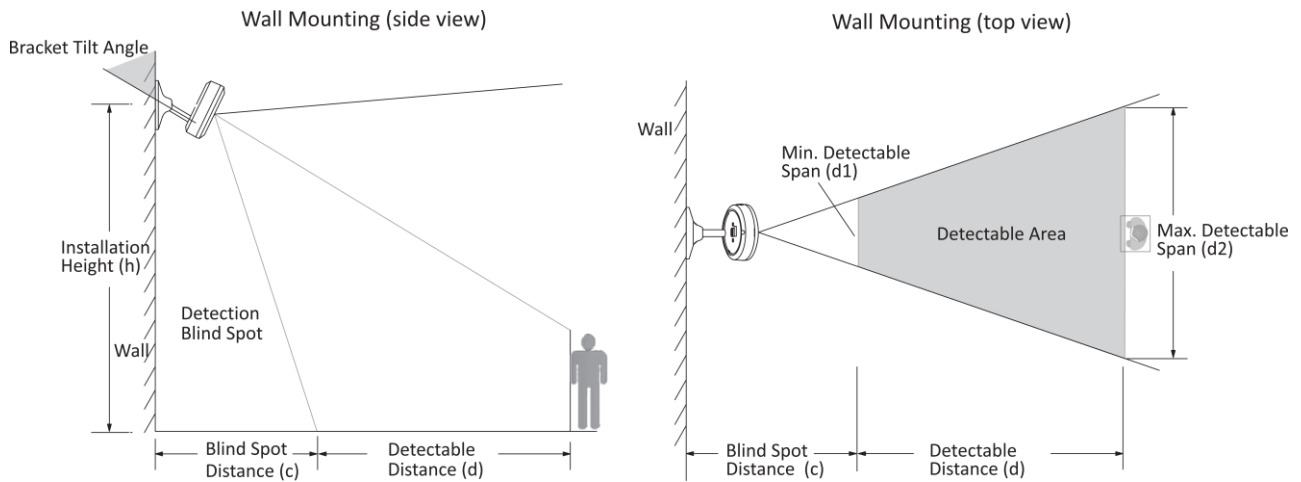


Installation Recommendation

Ceiling Mounting



Installation Method	Installation Height (h)	Length (a)	Width (b)
Ceiling Mounting	3.6 m	4.2 m (max.)	5.7 m
	2.0 m	3.0 m	3.2 m



Installation Method	Installation Height (h)	Blind Spot Distance (c)	Detectable Distance (d)	Bracket Tilt Angle
Wall Mounting (side view)	2.8m (max.)	0 m	3 m	57.5°

Installation Method	Blind Spot Distance (c)	Detectable Distance (d)	Min. Detectable Span (d1)	Max. Detectable Span (d2)
Wall Mounting (top view)	0 m	3 m	2.3 m	5.7 m

COMPLIANCE NOTICE: The thermal series products might be subject to export controls in various countries or regions, including without limitation, the United States, European Union, United Kingdom and/or other member countries of the Wassenaar Arrangement. Please consult your professional legal or compliance expert or local government authorities for any necessary export license requirements if you intend to transfer, export, re-export the thermal series products between different countries.

