

HELEN
HBE200W
200W round LED high bay



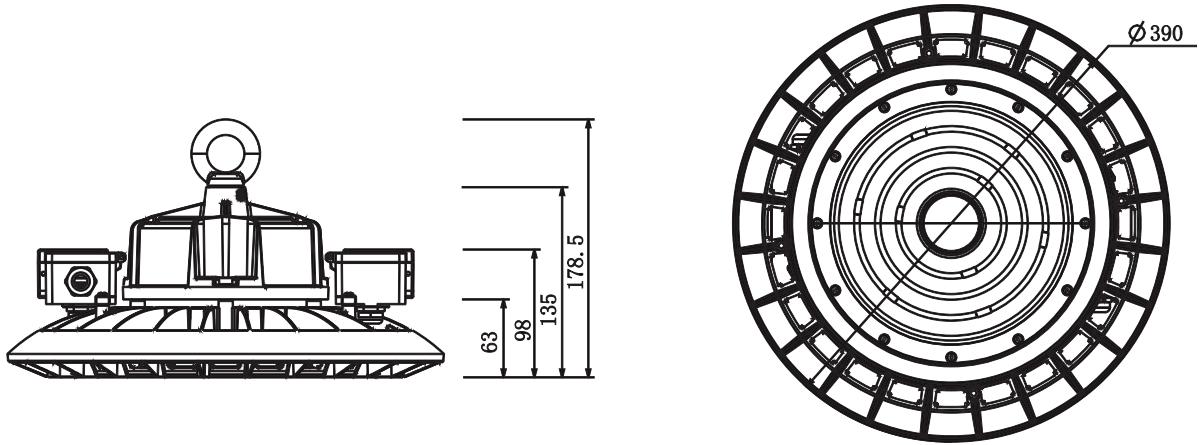
HIGH EFFICIENCY
130 lm/W



SPECIFICATIONS · PRODUCT DATA

Electrical data	
Input	220 ~ 240Vac
Mains frequency	50Hz
Power	200W
Power factor	> 0,9
LEDs n°	336 Chips LED
LED power	0,60W
IEC protection class	Class I
Photometric data	
Luminous efficiency	130 lm/W
CRI (Ra)	> 80
Luminous lux (Nominal / Real) CCT	28000lm · 26000lm · 5000K · BF 28000lm · 26000lm · 4000K · BN
Luminous intensity	18906 cd
SDCM Standard deviation colour adjustment	<3
Degree of opening	60°/90°/120°
Working Temp.	-10°C ~ +40°C
Switchovers n°	15.000
Certifications	CE, RoHS
Energy efficiency	A+
Working life	40.000h (L80B10)
Materials and physical characteristics	
Body	Aluminum alloy
Diffuser	PC
Heat sink	Aluminum alloy
Finish	Black RAL 9004
Measurements in mm (length x width x height)	Ø390 X 178,5
Weight (g)	3600
Characteristics	
IP Rating	IP65
IK Rating	IK08
Flicker	No
Options	
Dimming option	No
Emergency kit option	No
Sensor movement option	No
Packaging	
Packaging measurements	405 X 405 X 170
Packaging weight (kg)	4,240
Units (units/box)	1 units

Measurements in mm



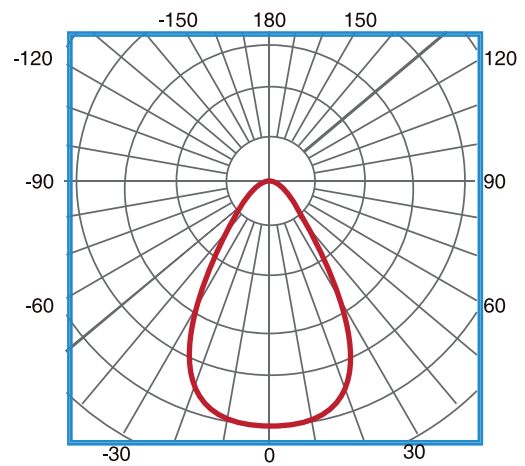
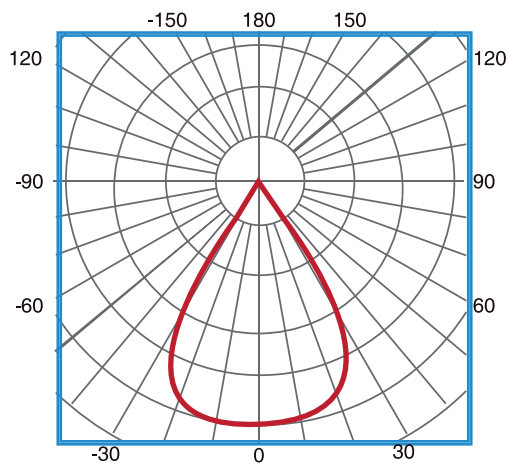
Optics

Beam angle 60°

H (m)	Diameter (m)	E _{max} (lx)
1	1,16	18873
2	2,31	4718
3	3,47	2097
4	4,62	1180

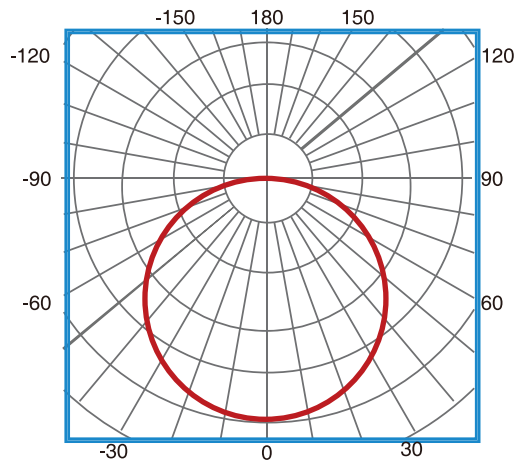
Beam angle 90°

H (m)	Diameter (m)	E _{max} (lx)
1	2,15	12199
2	4,30	3050
3	6,45	1355
4	8,60	762




Beam angle 120°

H (m)	Diameter (m)	E _{max} (lx)
1	3,01	10001
2	6,03	2500
3	9,04	1111
4	12,05	625

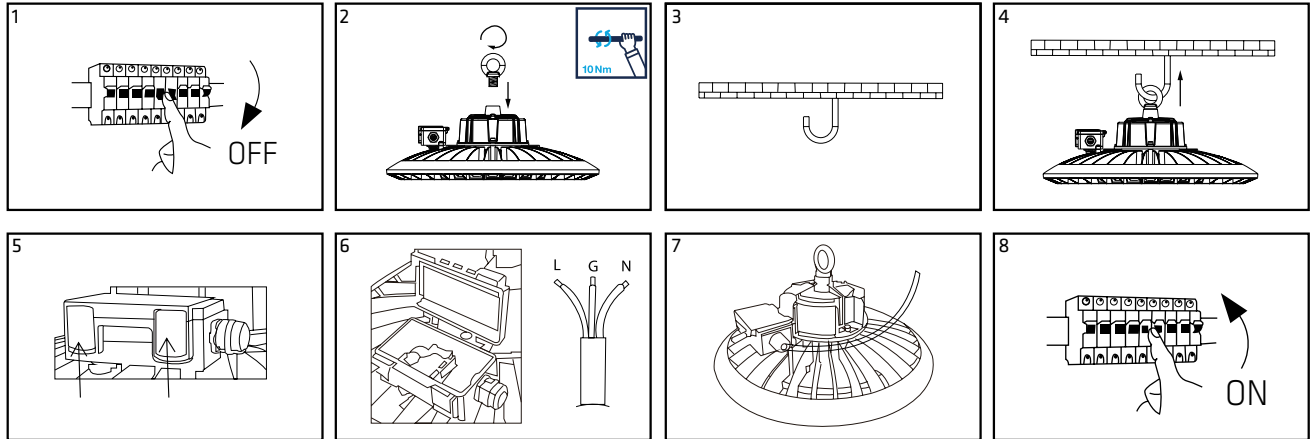


References

		W				CCT	CRI
HBE200WBF60	RAL9004	200 W	28000 lm	26000 lm	60°	BF: 5000K	> 80
HBE200WBF90	RAL9004	200 W	28000 lm	26000 lm	90°	BF: 5000K	> 80
HBE200WBF120	RAL9004	200 W	28000 lm	26000 lm	120°	BF: 5000K	> 80
HBE200WBN60	RAL9004	200 W	28000 lm	26000 lm	60°	BN: 4000K	> 80
HBE200WBN90	RAL9004	200 W	28000 lm	26000 lm	90°	BN: 4000K	> 80
HBE200WBN120	RAL9004	200 W	28000 lm	26000 lm	120°	BN: 4000K	> 80

Installation

HBE



HBEL

