

H4 Mini Dome Camera

The H4 Mini Dome is the smallest and most discreet camera within the Avigilon H4 platform, ideal for space-constrained applications requiring a minimal footprint surveillance camera. The innovative and modular design of this camera line allows it to snap into surface, in-ceiling, or pendant mount adaptors to easily fit challenging installations. This camera line provides exceptional image quality, LightCatcher[™] technology, dual exposure true Wide Dynamic Range (WDR) and adaptive IR on selected variants, all at an entry level price point. Using HDSM SmartCodec[™] technology, Idle Scene Mode technology and patented High Definition Stream Management[™] technology, H4 Mini Dome cameras minimize bandwidth and storage requirements, while maintaining a high-quality image.



Standard surface mount model has a footprint of only 2.9 inches, extending 2.0 inches from the installation surface. The optional in-ceiling adapter offers a profile of only 1.5 inches, with a footprint of 3.5 inches. This camera line is ideal for space-constrained or discreet applications while providing an aesthetically pleasing solution for indoor environments such as hallways, public entrances and lobbies of banks, schools, retail outlets and hotels.

H4 Mini Dome's state-of-the-art modular design allows it to snap into your choice of base, easily switching between surface, in-ceiling, and pendant mounts. This design reduces installation time and provides flexibility to installers. The optional black accessories provide further customization to match the environment.

Combining the powers of our HDSM[™], HDSM SmartCodec, and Idle scene mode technologies along with the easy to install modular design, the H4 Mini Dome camera line provides a reliable security solution with minimal total cost of ownership.

KEY FEATURES

1.3, 2.0 and 3.0 megapixel resolution models
Fixed 2.8mm, f1.2 lens
Small, discreet form factor ideal for indoor applications
Innovative modular design for quick and easy installation
Content adaptive IR technology provides effective illumination through the field of view, while maintaining exceptional scene illumination
Avigilon LightCatcher technology provides exceptional image quality in low light environments
Dual exposure Wide Dynamic Range for complex lighting environments
Integrated IR LEDs provide uniform illumination in the dark, even at 0 lux, up to maximum of 10m (32ft) IR on selected models
Avigilon HDSM SmartCodec Idle scene mode technology for reduced bandwidth and storage requirements
Integrates with Avigilon Control Center [™] video management software (VMS), and is ONVIF-compliant for integration with a third party VMS.

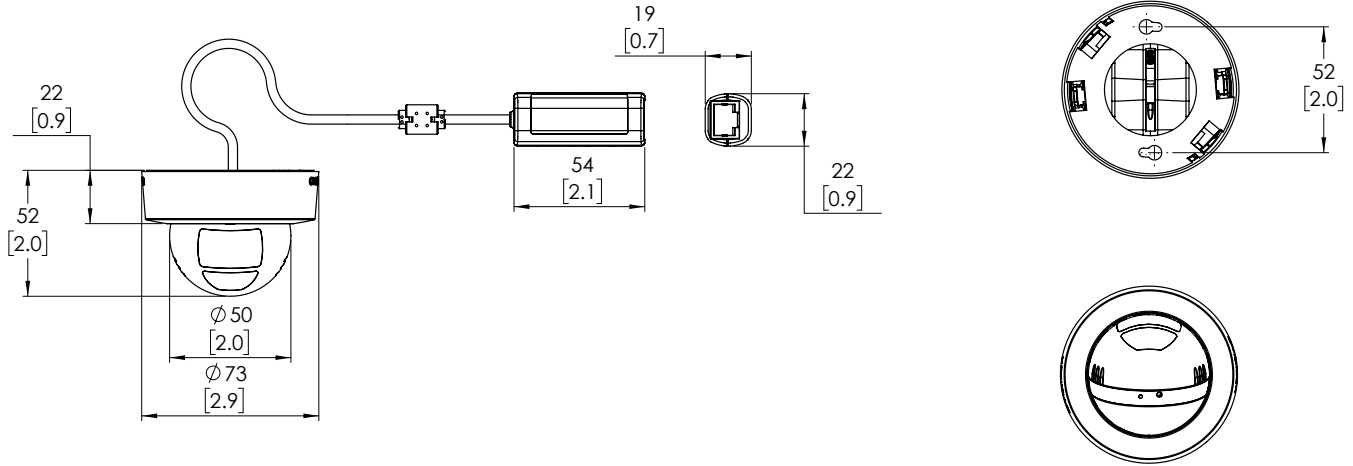
Specifications

		1.3 MP	2.0 MP	3.0 MP	
IMAGE PERFORMANCE	Image Sensor	1/2.8" Progressive Scan CMOS			
	Aspect Ratio	5:4	16:9	4:3	
	Active Pixels (H x V)	1280 (H) x 1024 (V)	1920 (H) x 1080 (V)	2048 (H) x 1536 (V)	
	Imaging Area (H x V)	3.7 mm x 3.0 mm, 0.145" x 0.118"	5.6 mm x 3.1 mm; 0.22" x 0.122"	5.12 mm x 3.84 mm; 0.202" x 0.157"	
	Imaging Rate	30 fps	30 fps	20 fps	
	Minimum Illumination	With IR	0.01 lux in color mode; 0 lux (F/1.2) in monochrome mode		0.02 lux in color mode; 0 lux (F/1.2) in monochrome mode
		Without IR	0.01 lux in color mode; 0.002 lux (F/1.2) in monochrome mode		0.02 lux in color mode; 0.004 lux (F/1.2) in monochrome mode
	IR Illumination	10 m (33 ft) max. distance at 0 lux			
	Dynamic Range	100 dB			
	Resolution Scaling	Down to 384 x 216			
	3D Noise Reduction Filter	Yes			
LENS	Lens	2.8mm, F1.2, IR Corrected			
	(Aspect Ratio) HFOV	(5:4) 74°; (16:9) 110°		(5:4) 94°; (16:9) 100°; (4:3) 100°	
IMAGE CONTROL	Image Compression Method	H.264 (MPEG-4 Part 10/AVC), Motion JPEG			
	Streaming	Multi-stream H.264 and Motion JPEG			
	Bandwidth Management	HDSM; HDSM SmartCodec; Idle Scene Mode			
	Motion Detection	Pixel			
	Tamper Detection	Yes			
	Electronic Shutter Control	Automatic, Manual (1/6 to 1/8000 sec)			
	Iris Control	Automatic, Manual			
	Day/Night Control	Automatic, Manual			
	Flicker Control	50 Hz, 60 Hz			
	White Balance	Automatic, Manual			
	Backlight Compensation	Adjustable			
Privacy Zones	Up to 64 zones				
NETWORK	Network	100BASE-TX			
	Cabling Type	CAT5			
	Connector	RJ-45			
	ONVIF	ONVIF compliant with version 1.02, 2.00, Profile S			
	Security	Password protection, HTTPS encryption, digest authentication, WS authentication, user access log, 802.1x port based authentication			
	Protocols	IPv4, HTTP, HTTPS, SOAP, DNS, NTP, RTSP, RTCP, RTP, TCP, UDP, IGMP, ICMP, DHCP, Zeroconf, ARP			
	Streaming Protocols	RTP/UDP, RTP/UDP multicast, RTP/RTSP/TCP, RTP/RTSP/HTTP/TCP, RTP/RTSP/HTTPS/TCP, HTTP			
	Device Management Protocols	SNMP v2c, SNMP v3			
	MECHANICAL		SURFACE MOUNT	IN-CEILING MOUNT	PENDANT MOUNT
		Dimensions (LxWxH)	73 mm x 73 mm x 52 mm; 2.9" x 2.9" x 2.0"	89 mm x 89 mm x 39 mm; 3.5" x 3.5" x 1.5"	73 mm x 73 mm x 113mm; 2.9" x 2.9" x 4.4"
Max. Ceiling Thickness		n/a	1.0"	n/a	
Cable Assembly Length		24cm; 9.4"			
Weight		H4M-D1 - 118 g, 0.26 lbs	H4M-D1 - 152 g, 0.34 lbs	H4M-D1 - 162 g, 0.35 lbs	
Body		Polycarbonate and aluminum			
Housing		Recessed mount	Surface mount, Max. Ceiling Thickness 1.0"	Pendant mount, Female 1/2" NPT Thread	
Finish		Cool grey, black			
Adjustment Range		360° pan, -5° to 75° tilt, ±115° azimuth			
ELECTRICAL	Power Consumption	4W			
	Power Source	PoE: IEEE802.3af Class 2 compliant			
	RTC Backup Battery	3V manganese lithium			
ENVIRONMENTAL	Operating Temperature	0 °C to 50 °C (32 °F to 122 °F)			
	Storage Temperature	-30 °C to 70 °C (-22 °F to 158 °F)			
	Humidity	0 - 95% non-condensing			
	Environment	Indoor Applications			
CERTIFICATIONS	Certifications/Directives	UL, cUL, CE, ROHS, WEEE, RCM, EAC, KC			
	Safety	UL 62368-1, CSA 62368-1, IEC/EN 62368-1, IEC 62471			
	Electromagnetic Emissions	FCC Part 15 Subpart B Class B, IC ICES-003 Class B, EN 55032 Class B, EN 61000-6-3, EN 61000-3-2, EN 61000-3-3, KN 32			
	Electromagnetic Immunity	EN 55024, EN 61000-6-1, EN 50130-4, KN 35			

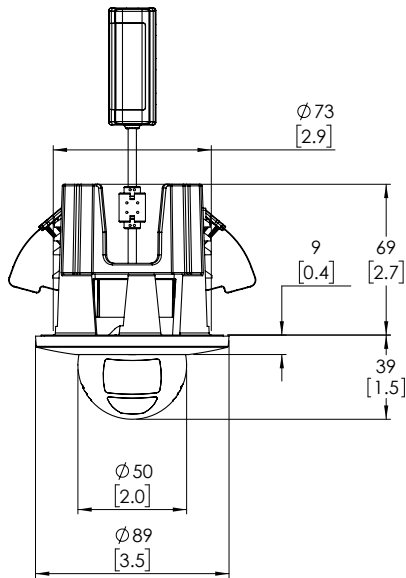
Outline Dimensions

[X.X]	MM
X	INCHES

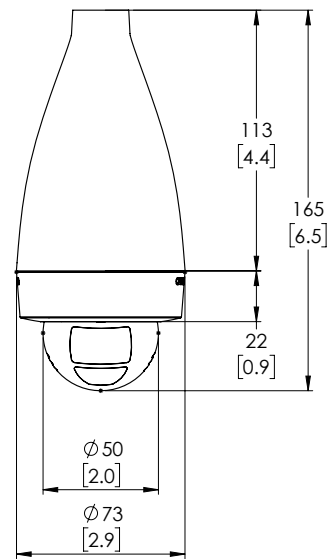
Surface



In Ceiling



Pendant



Ordering Information

	MP	WDR	LightCatcher Technology	Lens	IR	HDSM SmartCodec
1.3C-H4M-D1	1.3	✓	✓	2.8 mm		✓
1.3C-H4M-D1-IR	1.3	✓	✓	2.8 mm	✓	✓
2.0C-H4M-D1	2	✓	✓	2.8 mm		✓
2.0C-H4M-D1-IR	2	✓	✓	2.8 mm	✓	✓
3.0C-H4M-D1	3	✓	✓	2.8 mm		✓
3.0C-H4M-D1-IR	3	✓	✓	2.8 mm	✓	✓

H4M-BZL-BL1	Package of 5 black surface mount bezels for H4M dome cameras					
H4M-MT-DCIL1	In-ceiling mount adapter for H4M dome cameras					
H4M-MT-DCIL1-BL	Black in-ceiling mount adapter for H4M dome cameras					
H4M-MT-NPTA1	Pendant mount adapter for H4M dome cameras					
H4M-MT-NPTA1-BL	Black pendant mount adapter for H4M dome cameras					