

**GADE
GDS30**

30W LED street light



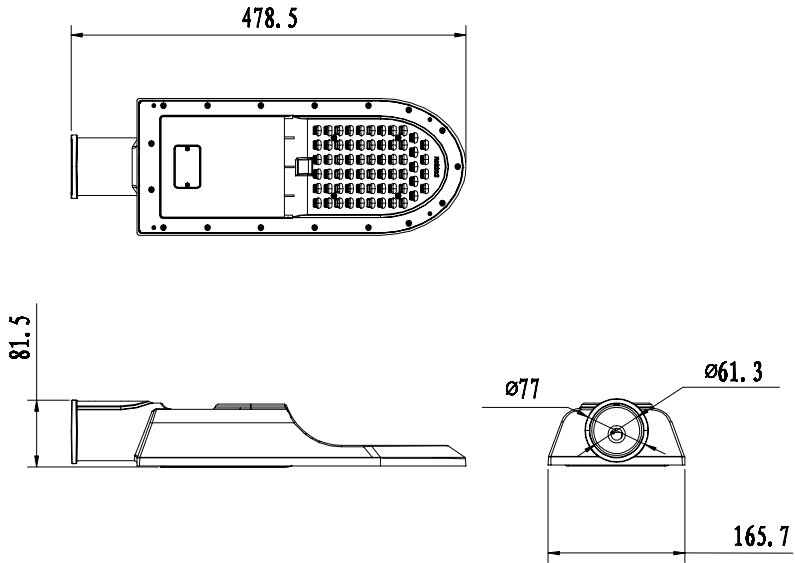
HIGH EFFICIENCY
130 lm/W



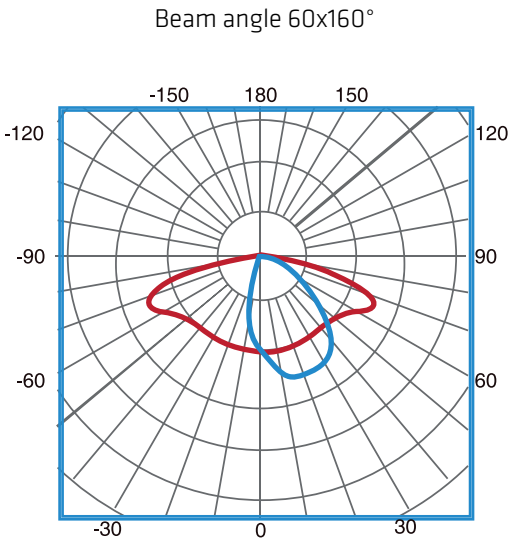
SPECIFICATIONS · PRODUCT DATA

Electrical data	
Input	110 ~ 240 Vac
Mains frequency	50/60Hz
Power	30 W
Power factor	> 0,95
LEDs n°	42 LED chips
LED power	0,71 W
IEC protection class	Class I
Surge protection device	10kV
Photometric data	
Luminous efficiency	130 lm/W
CRI (Ra)	> 70
Luminous lux (Nominal / Real) CCT	4740lm · 3900lm · 4000K · BN
Luminous intensity	2976 cd
SDCM Standard deviation colour adjustment	<3
Degree of opening	60x160°
Working Temp.	-30°C ~ +50°C
Switchovers n°	30.000
Certifications	CE, RoHS
Energy efficiency	A++
Working life	50.000 (L70B10)
Materials and physical characteristics	
Body	Aluminum alloy
Diffuser	PC
Heat sink	Aluminum alloy
Finish	Silver RAL 9006
Measurements in mm (length x width x height)	479 X 166 X 82
Weight (g)	2200
Characteristics	
IP Rating	IP66
IK Rating	IK08
UH	0%
Options	
Dimming option	No
Emergency kit option	No
Sensor movement option	No
Packaging	
Packaging measurements	534 X 205 X 125
Packaging weight (kg)	2,7
Units (units/box)	1 units






Measurements in mm



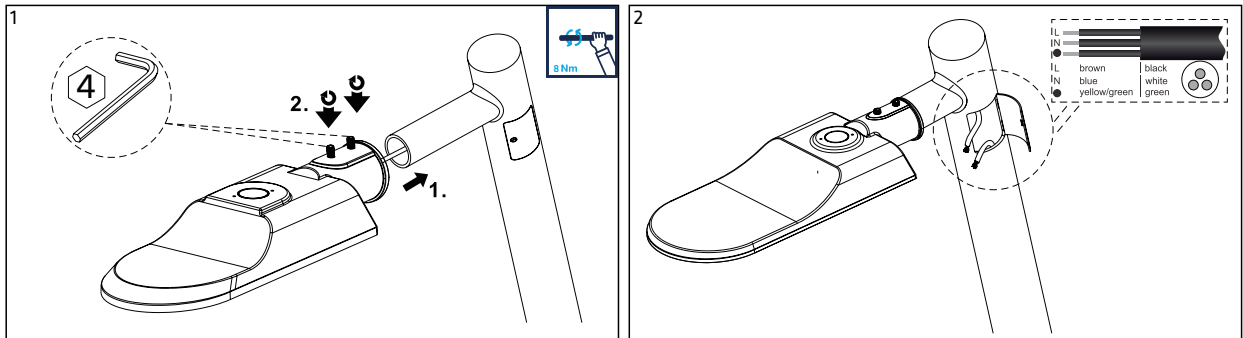
Optics



References

		W				CCT	CRI
GDS30BNC1	RAL9006	30 W	4740 lm	3900 lm	60X160°	BN: 4000K	> 70

Installation



IP66



X30.000

50.000h

