

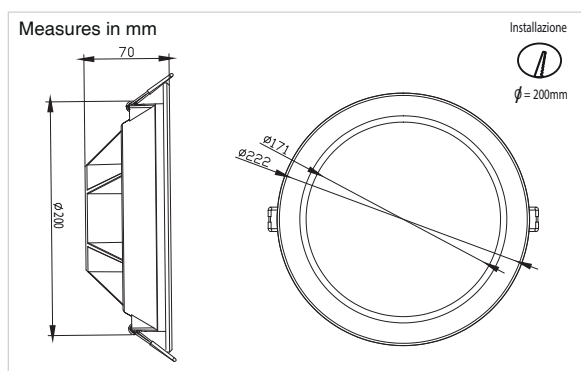
## ECO25W

25W Round Led DownLight

### Product



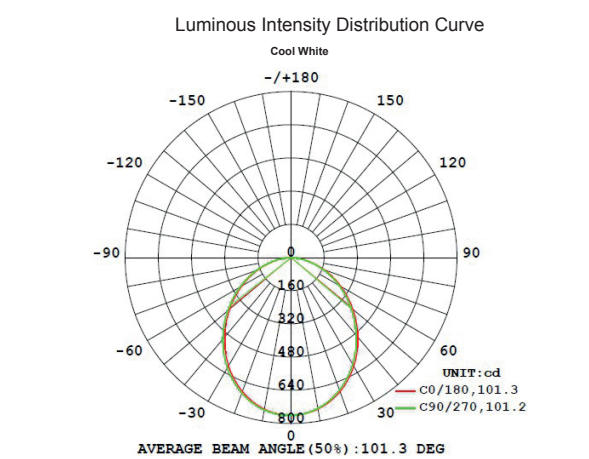
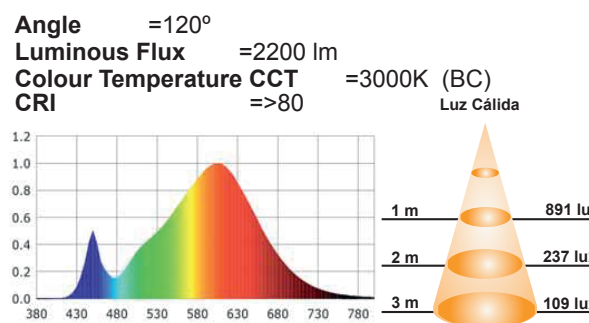
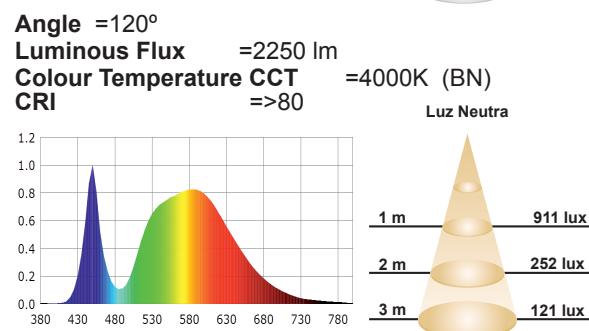
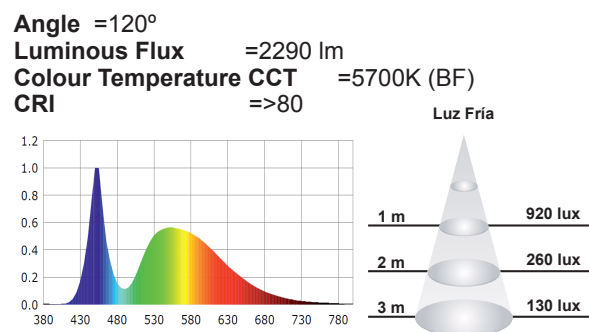
### Measures



### Technical Data

Power supply:	110~250Vac 50/60Hz
Power:	25W
Nº of LEDs:	54 chips SMD2835
Power factor:	>0.90
Luminous efficiency:	92 lm/w
LED power:	0.46W
Luminous flux:	2290 lm (BF) 2250 lm (BN) 2200 lm (BC)
Luminous intensity:	761 cd
IP Code:	IP44
Operating temperature:	-20°C +50°C
Nº of switching:	30.000
Certifications:	CE, RoHS
Energy Efficiency::	A+
Lifespan:	30.000h (L70:B10)
Weight:	440 gramos

### Datos Fotométricos



Chip used

**EPISTAR**



**ThreeLine**  
TECHNOLOGY