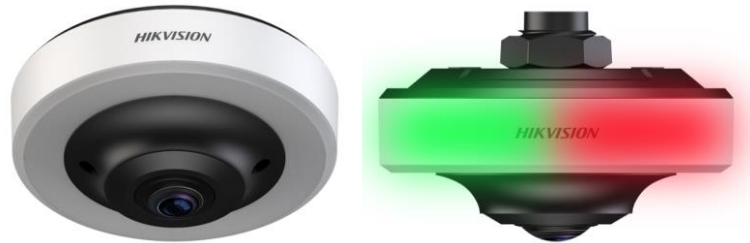


## DS-TCP506-EP/DS-TCPC06-EP 5MP/12MP Fisheye Parking Camera



Fisheye parking camera is mainly used in the underground parking lot. It adopts HD progressive scan CMOS and features in high quality imaging, low illumination, good color rendition, etc. It supports H.265 encoding to save storage space. Built-in deep-learning algorithm of parking space detection provides motion detection and other smart detection functions. It realizes precise indoor parking space detection and can help the vehicle owner to quickly find the parking space.

- DS-TCPC06-EP: 12 MP HD camera with max. 4000 × 3000 resolution and 15 fps frame rate in the fisheye mode. It is applicable to the underground parking lot and other low illumination scenes. High quality imaging with 1/1.7" progressive scan CMOS. 0.04 lux low illumination with clearer imaging at night.
- DS-TCP506-EP: 5 MP HD camera with max. 2688 × 1944 resolution and 25 fps frame rate in the fisheye mode. It is applicable to the underground parking lot and other low illumination scenes. High quality imaging with 1/2.7" progressive scan CMOS. 0.04 lux low illumination with clearer imaging at night.
- Adopts ultra wide-angle lens for 360° monitoring.
- Supports multiple output modes, including the fisheye, dual-channel calibration and 4-channel calibration.
- Supports H.265/H.264/MJPEG video encoding algorithm and multiple video quality configuration and profile settings.
- Support standard PoE.
- Built-in AI intelligent algorithm of parking space detection supports to detect the parking space in the fisheye calibration mode.
- Supports motion detection.



## ▪ Specification

Model	DS-TCPC06-EP 12MP Fisheye Parking Camera	DS-TCP506-EP 5MP Fisheye Parking Camera
<b>Camera</b>		
Sensor Type	1/1.7" Progressive Scan CMOS	1/2.7" Progressive Scan CMOS
Min. Illumination	Color: 0.06 Lux @ (F2.2, AGC ON) B/W: 0.04 Lux @ (F2.2, AGC ON)	Color: 0.04 Lux @ (F2.2, AGC ON) B/W: 0.02 Lux @ (F2.2, AGC ON)
Shutter	1/30 s to 1/100,000 s	
Lens Type	1.29 mm	1.16 mm
<b>Compression Standard</b>		
Video Encoding	H.264/H.265/MJPEG	
H.265	Main Profile	
H.264	BaseLine Profile/Main Profile/High Profile	
Video Bit Rate	32 Kbps to 8 Mbps	
Main/Sub-Stream	Supported	
<b>Image</b>		
Image Format	JPEG	
Max. Image Resolution	4000 × 3000	2688 × 1944
Fisheye Resolution	50 Hz: 17 fps (4000 × 3000), 60 Hz: 15 fps (4000 × 3000)	50 Hz: 25 fps (2688 × 1944), 60 Hz: 30 fps (2688 × 1944)
Calibration Resolution	<b>Dual-channel:</b> 50 Hz: 8.5 fps (3840 × 1440), 60 Hz: 7.5 fps (3840 × 1440); <b>4-channel:</b> 50 Hz: 8.5 fps (1920 × 1440), 60 Hz: 7.5 fps (1920 × 1440); <b>1-channel (with 2 windows):</b> 50 Hz: 8.5 fps (3840 × 2880), 60 Hz: 7.5 fps (3840 × 2880); <b>1-channel (with 4 windows):</b> 50 Hz: 8.5 fps (3840 × 2880), 60 Hz: 7.5 fps (3840 × 2880); Main Stream (configurable): 1280 × 1024, 1280 × 720, 704 × 576	<b>Dual-channel:</b> 50 Hz: 12.5 fps (2688 × 832), 60 Hz: 15 fps (2688 × 832); <b>4-channel:</b> 50 Hz: 12.5 fps (1344 × 832), 60 Hz: 15 fps (1344 × 832); <b>1-channel (with 2 windows):</b> 50 Hz: 12.5 fps (2688 × 1664), 60 Hz: 15 fps (2688 × 1664); <b>1-channel (with 4 windows):</b> 50 Hz: 12.5 fps (2688 × 1664), 60 Hz: 15 fps (2688 × 1664); Main Stream (configurable): 1920 × 1080
Sub-Stream	1920 × 1080, 704 × 576, 352 × 288	1920 × 1080, 640 × 480
Installation Mode	Ceiling mount	
Image Settings	Saturation, brightness, contrast, white balance, AGC, and 3D noise reduction can be adjusted via the web browser.	
<b>Network</b>		
Protocols	Open Network Video Interface Forum, RTSP, ISAPI	
Security	Heartbeat, password protection, and NTP time sync.	
<b>Capture</b>		
Picture Format	JPEG with configurable quality	
Smart Recognition (Parking Space Detection Mode)	Up to 16 parking spaces status detection in dual-channel mode.	Up to 12 parking spaces status detection in dual-channel mode.
<b>Interface</b>		
Communication Interface	1 × audio input and output port(s), 1 × 10/100M Ethernet port(s), 1 × relay output, 2 × alarm output, 1 × RS485	

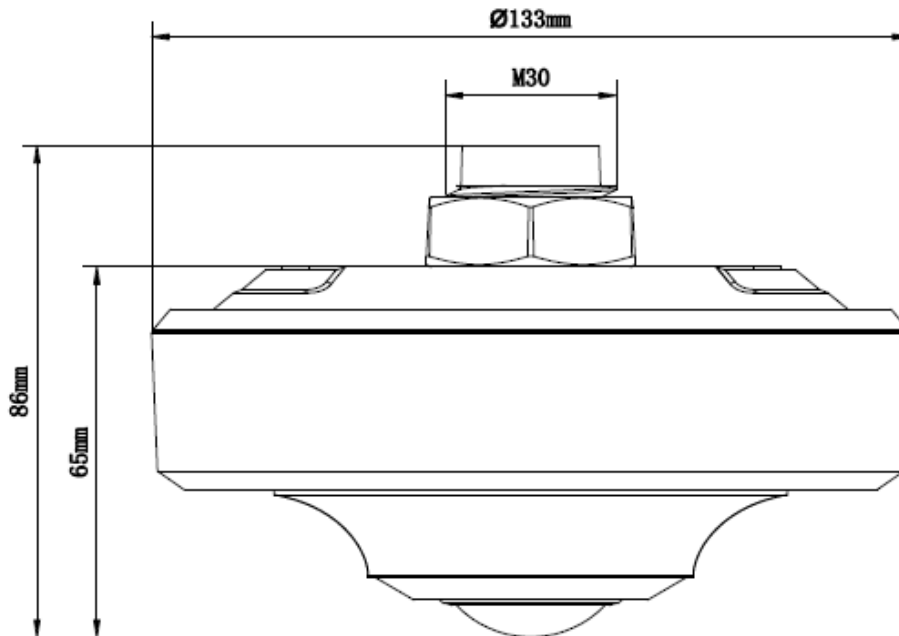
**General**

Working Temperature	-20 °C to 60 °C (-4 °F to 140 °F)
Power Supply	12 VDC/PoE
Working Consumption	5 W
Weight	150 g (0.33 lb.)

**▪ Available Model**

DS-TCPC06-EP, DS-TCP506-EP

▪ **Dimension**



Distributed by



**HIKVISION®**

**Headquarters**

No.555 Qianmo Road, Binjiang District,  
Hangzhou 310051, China  
T +86-571-8807-5998  
overseasbusiness@hikvision.com

**Hikvision USA**  
T +1-909-895-0400  
sales.usa@hikvision.com

**Hikvision Australia**  
T +61-2-8599-4233  
salesau@hikvision.com

**Hikvision India**  
T +91-22-28469900  
sales@pramahikvision.com

**Hikvision Canada**  
T +1-866-200-6690  
sales.canada@hikvision.com

**Hikvision Thailand**  
T +662-275-9949  
sales.thailand@hikvision.com

**Hikvision Europe**  
T +31-23-5542770  
sales.eu@hikvision.com

**Hikvision Italy**  
T +39-0438-6902  
info.it@hikvision.com

**Hikvision Brazil**  
T +55 11 3318-0050  
Latam.support@hikvision.com

**Hikvision Turkey**  
T +90 (216)521 7070- 7074  
sales.tr@hikvision.com

**Hikvision Malaysia**  
T +601-7652-2413  
sales.my@hikvision.com

**Hikvision UK & Ireland**  
T +01628-902140  
sales.uk@hikvision.com

**Hikvision South Africa**  
Tel: +27 (10) 0351172  
sale.africa@hikvision.com

**Hikvision France**  
T +33(0)1-85-330-450  
info.fr@hikvision.com

**Hikvision Kazakhstan**  
T +7-727-9730667  
nikia.panfilov@hikvision.ru

**Hikvision Vietnam**  
T +84-974270888  
sales.vt@hikvision.com

**Hikvision UAE**  
T +971-4-4432090  
salesme@hikvision.com

**Hikvision Singapore**  
T +65-6684-4718  
sg@hikvision.com

**Hikvision Spain**  
T +34-91-737-16-55  
info.es@hikvision.com

**Hikvision Tashkent**  
T +99-87-1238-9438  
uzb@hikvision.ru

**Hikvision Hong Kong**  
T +852-2151-1761  
info.hk@hikvision.com

**Hikvision Russia**  
T +7-495-669-67-99  
saleru@hikvision.com

**Hikvision Korea**  
T +82-(0)31-731-8817  
sales.korea@hikvision.com

**Hikvision Poland**  
T +48-22-460-01-50  
info.pl@hikvision.com

**Hikvision Indonesia**  
T +62-21-2933759  
Sales.Indonesia@hikvision.com

**Hikvision Colombia**  
sales.colombia@hikvision.com