

DS-MCW407(D) Linux Big Button 4G Body Camera



Body camera (hereinafter referred to as device) highly integrates with record, taping, capture, positioning, etc. It is embedded with positioning module with high sensitivity to locate the occurring position of events accurately. It can record the process and condition of events completely via record, taping, and capture. You can also tag the important data for future search. It is small and light, convenient to carry, and can be worn on the shoulder, satisfying the requirement of mobile duty and evidence record for single person. It is widely applicable to public security protection, city management, industry and commerce, etc.

- 1080p HD recording.
- The recorded videos can be uploaded to the central video platform via 4G wireless communication.
- Supports IR night vision. Even in the dark scene, the facial features of the persons in the scene can be recognized clearly.
- Tri-proof design to support all-weather filed operation.
- Built-in battery with large capacity, supporting longer working hour.
- Small size, light weight, and convenient to carry.
- Large recording button for convenient operation.

▪ Specification

Camera	
Image Sensor	1/3" progressive scan CMOS
Max. Resolution	1920 × 1080
Min. Illumination	Color: 0.07 Lux@ (F2.2, AGC ON), 0 Lux with supplement light
Day & Night	Switch IR Cut Filter Automatically
Zoom	4× Digital
White Light	Supported
Optical Image Stabilization	Not supported
Lens	
Focal Length	2.4 mm fixed lens
FOV	Horizontal FOV: 135° Vertical FOV: 75° Diagonal FOV: 145°
Aperture	F2.2
Video	
Video Compression	H.264, H.265
Video Format	PS, MP4
Main Stream	60 Hz: 30 fps (1920 × 1080, 1280 × 720, 720 × 576)
Sub Stream	30 fps (1280 × 720, 720 × 576)
Pre-record & Post-record	Pre-record: 60 s Post-record: 60 s
Audio	
Audio Compression	G.711ulaw, G.711alaw, G.722.1, AAC-LC
Audio Bit Rate	64 Kbps (G.711ulaw/G.711alaw), 16 Kbps (G.722.1/AAC-LC)
Image	
Image Format	JPEG
Screen	
Resolution	320 × 240
Screen Size	2.0"
Touchscreen	Supported
Storage	
RAM	128 MB
ROM	Default 32 GB, 64 GB/128 GB/256 GB optional
IR	
IR Range	Up to 10 m
IR Wavelength	850 nm
Wireless Network	
Wi-Fi Protocol	802.11 a/b/g/n
Wi-Fi Frequency Band	2.412 to 2.472 GHz
Cellular Network	Only available for models with /GLE: GSM: 850/900/1800/1900 WCDMA: B1/B8 FDD -LTE: B1/B3/B5/B7/B8/B20 TDD -LTE: B38/B40/B41

Positioning Mode	GPS
Network	
Protocol	HTTPS, RTSP, NTP, FTP
API	ONVIF (PROFILE S, PROFILE G, PROFILE T), ISAPI, SDK, ISUP5.0
Interface	
Indicator	2 Indicator(s) for Charging/Working/Recording/Exception
Button	Power, Recording, Capture, PTT, Tag, SOS, Fn
SIM Card	Only available for models with /GLE: 1 (Nano-SIM)
Charging Interface	Type-C, Pogo Pin
USB	USB 2.0
General	
Operating Condition	-20 °C to 55 °C (-4 °F to 131 °F). Humidity 95% or less (non-condensing)
Power	5 VDC, 2.0 A, max. 10 W
Dimension	82.6 mm × 58 mm × 29 mm (3.3" × 2.3" × 1.1")
Weight	159.5 g (without mounting) (0.4 lb.)
Operating System	Linux
Client	Hik-Connect, HikCentral Pro, HikCentral Master
MIC	Supported
Speaker	1 Built-in speaker, Max. power consumption: 1 W, Max. sound pressure level: 87 dB (10 cm)
Battery	
Battery Type	Lithium-ion battery, integral
Capacity	3220 mAh
Charging Time	≤ 4 h
Battery Duration	≥ 12 h in 720p resolution
Approval	
RF	EN 300 328 V2.1.1(BT or 2.4G); EN 62311:2008(BT or 2.4G); EN 55032:2015; EN 61000-3-2:2014; EN 61000-3-3:2013; EN 50130-4:2011 +A1:2014);
EMC	CE-EMC: EN 55032: 2015, EN 61000-3-2: 2019, EN 61000-3-3: 2013, EN 50130-4: 2011 +A1: 2014
Safety	CB: IEC 62368-1: 2014+A11, IEC 62368-1: 2018 CE-LVD: EN 62368-1: 2014/A11: 2017, EN IEC 62368-1:2020+A11:2020 CE-LVD: EN 62368-1: 2014/A11: 2017
Environment	CE-RoHS: 2011/65/EU, WEEE: 2012/19/EU, Reach: Regulation (EC) No 1907/2006
Protection	IP68: IEC 60529-2013, MIL STD 810G

▪ Available Model

DS-MCW407/32G/GLE(D)

DS-MCW407/32G/GPS/WIFI(D)

DS-MCW407/64G/GLE(D)

DS-MCW407/128G/GLE(D)

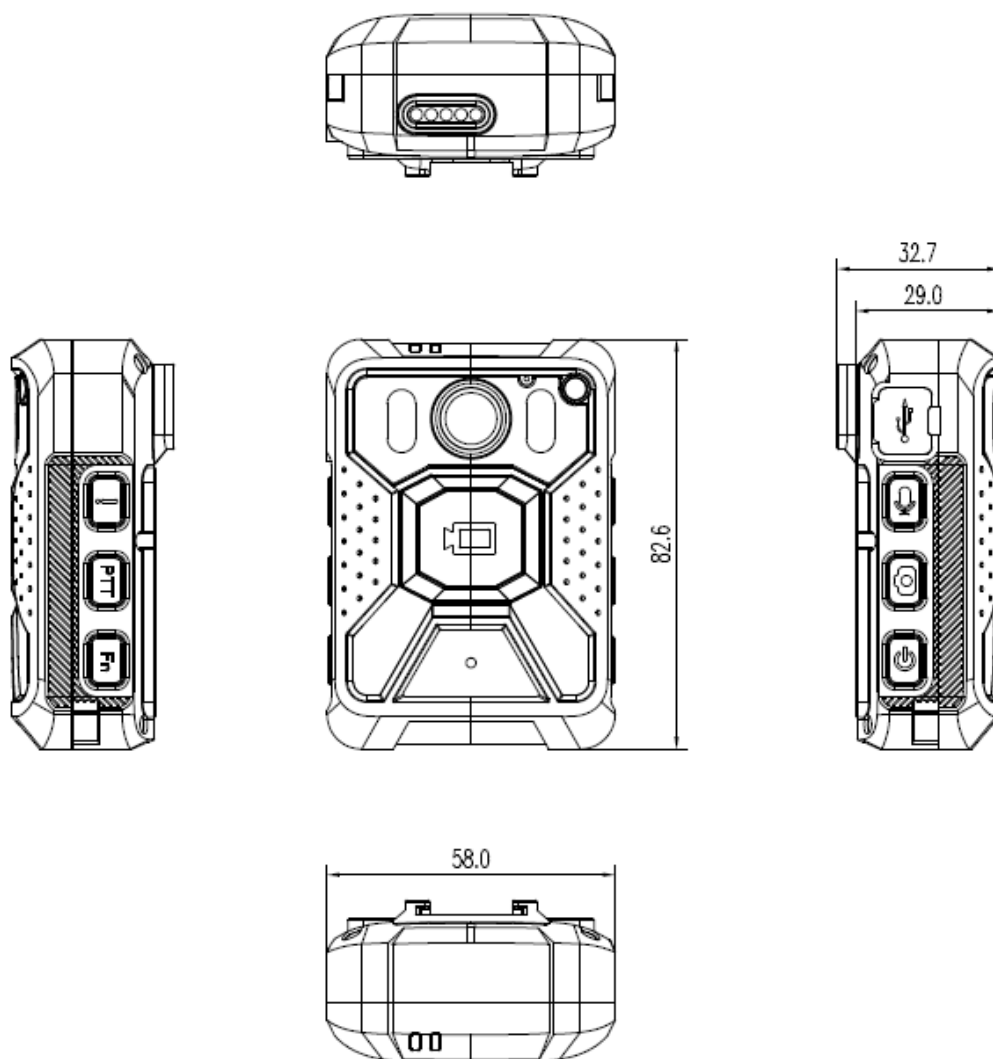
DS-MCW407/32G/GLE(D)(DVS)

DS-MCW407/32G/GPS/WIFI(D)(DVS)

DS-MCW407/32G(D)

DS-MCW407/64G/GPS/WIFI(D)

▪ Dimension



Unit: mm

▪ **Accessory**

▪ **Optional**

DS-MH1710-N1-MG Shoulder Clip	DS-MH1710-N1-S Shoulder Clip	DS-MDS003 Dock Station	DS-MDS001 Dock Station	DS-MH1411-B1 Body Camera Charge Cradle
				
DS-MDS004 Dock Station	DS-MDS005 Dock Station	DS-MH1714 Body Camera Clip-Fast Click		DS-MH1412-B1 Dock Station
				

Headquarters

No.555 Qianmo Road, Binjiang District,
Hangzhou 310051, China
T +86-571-8807-5998
www.hikvision.com



Follow us on social media to get the latest product and solution information.

