

DS-K3BC430LX-Power Box Power Box



- Power supply unit for speed gates & turnstiles, for example DS-K3BC430LX.
- Supports 100 to 240 VAC, 320 W power supply
- Short-circuit, excess load, and over-voltage protection

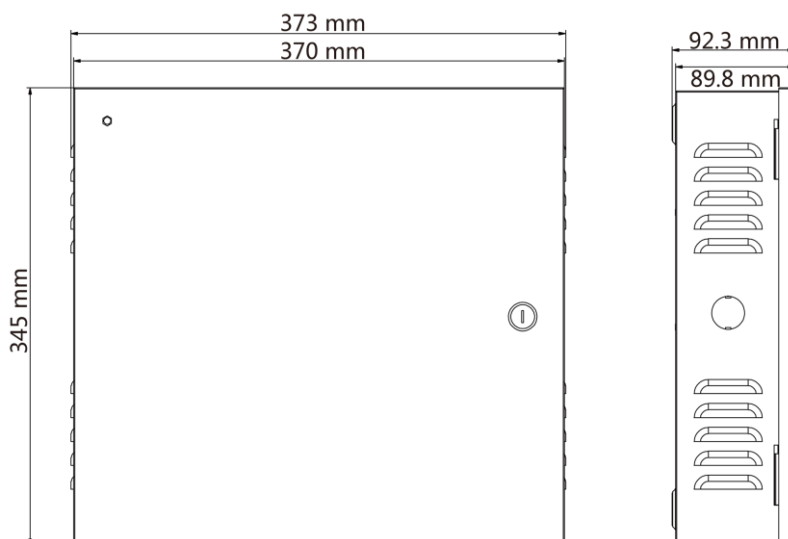
▪ **Specification**

General	
Power supply method	Power input: 100 to 240 VAC, 320 W Power output: 24 VDC, 13.3 A
Working temperature	-10 °C to 70 °C (14 °F to 158 °F)
Working humidity	10% to 95% (No Condensing)
Dimensions	370 mm × 345 mm × 90 mm (14.7" × 13.6" × 3.5")
Weight	Without packaging: 3.03 kg (6.68 lb) With packaging: 4.15 kg (9.15 lb)

▪ **Available Model**

DS-K3BC430LX-Power Box

▪ **Dimension**



▪ **Accessory**

▪ **Optional**



Headquarters

No.555 Qianmo Road, Binjiang District,
Hangzhou 310051, China
T +86-571-8807-5998
www.hikvision.com



Follow us on social media to get the latest product and solution information.

