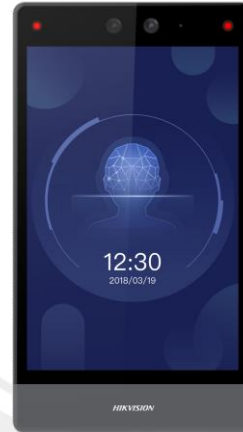


DS-K1T680D-E1 Face Recognition Terminal



Face recognition terminal is a kind of access control device for face recognition, which is mainly applied in security access control systems, such as logistic centers, airports, university campuses, alarm centrals, dwellings, etc.

- 8-inch touch screen with bezel-less design
- Presents card on the screen to authenticate
- Face recognition distance: 0.3 m to 3 m, duration < 0.2 s/User, accuracy rate ≥ 99%
- 100,000 face capacity, 100,000 card capacity (Felica, DESfire, M1), and 150,000 event capacity
- Supports ISAPI, ISUP 5.0, Wiegand, RS-485, TCP/IP, and PoE
- Two-way audio with indoor station and main station
- Configuration via the web client and mobile client
- Customizes attendance status name

**Biometric recognition products are not completely applicable to anti-spoofing environments. If you require a higher security level, use multiple authentication modes.*

▪ Specification

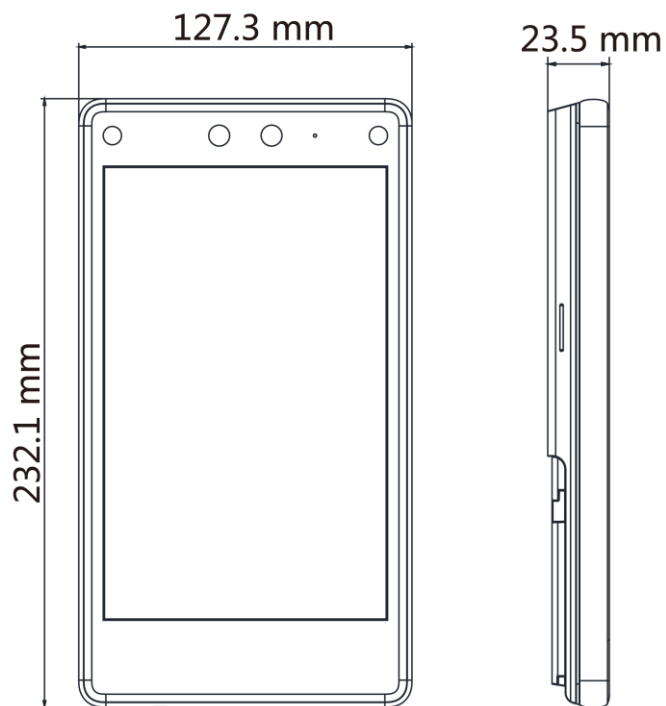
System	
Operating system	Linux
Display	
Screen size	8-inch
Operation method	Capacitive touch screen
Resolution	1280 × 800
Video	
Lens	× 2
Resolution	2 MP
WDR	≥ 120DB
Video standard	PAL (Default) and NTSC
FOV	HFOV= 88° ; VFOV= 44° ; DFOV=108°
Audio	
Audio input	Built-in omnidirectional microphone
Audio output	Built-in loudspeaker
Volume adjustment	Support
Network	
Communication protocol	TCP/IP, SIP, RTSP, ISAPI (Port 80/433), ISAPI (unvarnished transmission), ISUP 5.0
Wired network	10 M/100 M/1000 M self-adaptive
Wi-Fi	
3G/4G	Not support
Interface	
Network interface	1
Lock control	1
Exit button	1
Door contact input	1
Alarm input	2
Alarm output	1
TAMPER	1
RS-485	1
Wiegand	1
USB	1
Capacity	
Face capacity	100000
Card capacity	100000
Event capacity	150000
Authentication	
Face recognition distance	0.3 to 3 m
Face recognition accuracy rate	≥99%
Face recognition duration	< 0.2 s
Fingerprint recognition duration	< 1 s
Card type	DESfire card, Felica card,

Card reading distance	0 to 5 cm
Card reading duration	< 1 s
Function	
Live view	
Two-way audio	Two-way audio with indoor station and master station
Language	English, Thai, Brazilian Portuguese, Russian, Spanish, Arabic, Japanese, Ukrainian, and Indonesian
Multi-factor authentication	
QR code recognition	Support. The dimension of the recognized QR code picture should be larger than 6 cm × 6 cm.
M1 card encryption	
Face anti-spoofing	Support
Anti-passback	null
First person in	
Hik-Connect	Support
Time synchronization	
General	
Power supply	12-24 VDC, 3 A, Standard PoE
Working temperature	-30 °C to 60 °C (-22 °F to 140 °F)
Working humidity	0 to 90% (No condensing)
Protective level	IP65
Dimensions	127.3 mm × 232.1 mm × 23.5 mm (5.0" × 9.1" × 0.9")
Power supply method	12 VDC/24 VDC Power Adapter

▪ Available Model

DS-K1T680D-E1

▪ Dimension



Headquarters

No.555 Qianmo Road, Binjiang District,
Hangzhou 310051, China
T +86-571-8807-5998
www.hikvision.com



Follow us on social media to get the latest product and solution information.

