

DS-D42A05 Light Sensor

The DS-D42A05 is a light sensor designed and produced. It can be connected to sending cards, asynchronous cards or multifunction cards for ambient brightness monitoring, allowing for automatic brightness adjustment of LED display.

The sensor body of DS-D42A05 is made of aluminum alloy. The sensor surface adopts micro-arc oxidation process, and therefore it is highly UV-resistant and will not be discolored. The joint between the sensor body and male connector has a very-deep groove and is extremely waterproof.

Features

- Ambient brightness monitoring, allowing for automatic brightness adjustment of LED display
- Capable of connecting to sending cards, asynchronous cards or multifunction cards
- A 5-meter cable provided (DS-D42A05-5A model), extendable to 10 meters (DS-D42A05-10A model)
- Mildew, moisture and salt-mist resistant design, ideal for outdoor applications
- No external power supply required

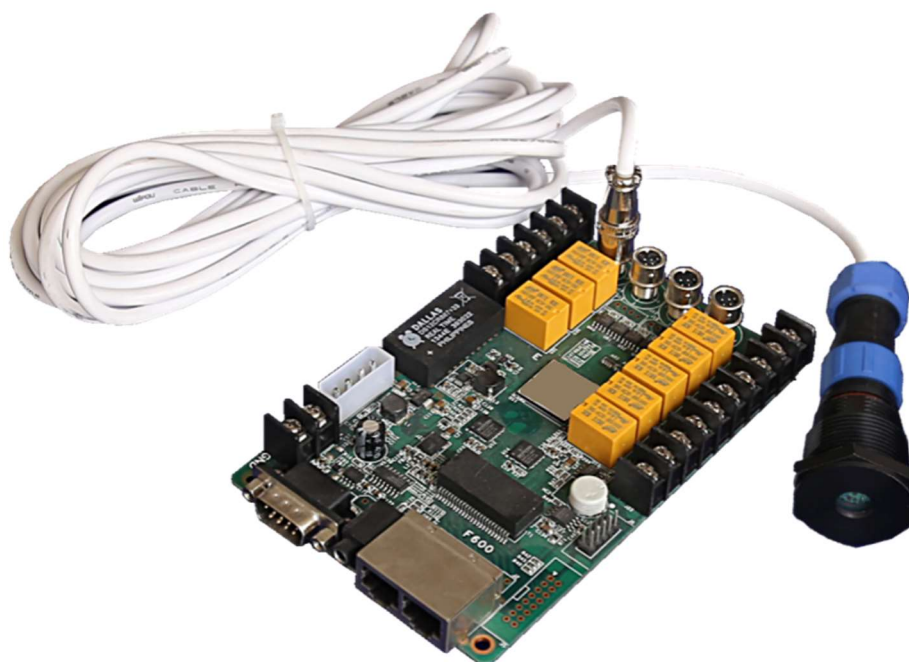


Applications

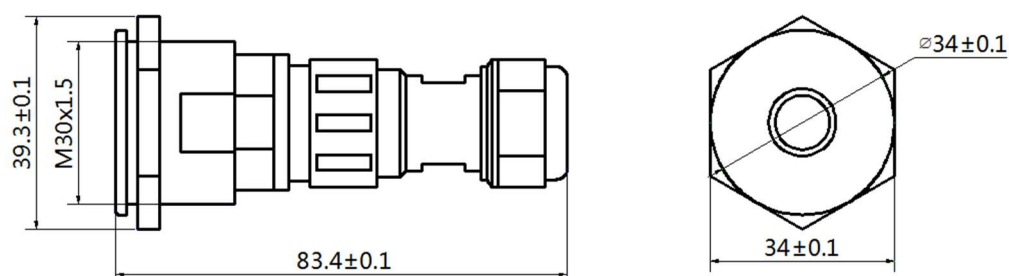
The DS-D42A05 light sensor can work with devices that have light sensor connectors, such as sending cards, asynchronous cards and multifunction cards. It must be placed in the same environment with the LED display.

The connection between the light sensor and multifunction card is shown in [图 1](#).

[图1](#) Connection between DS-D42A05 and MFN300 multifunction card



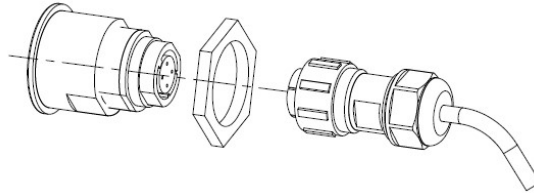
Dimensions



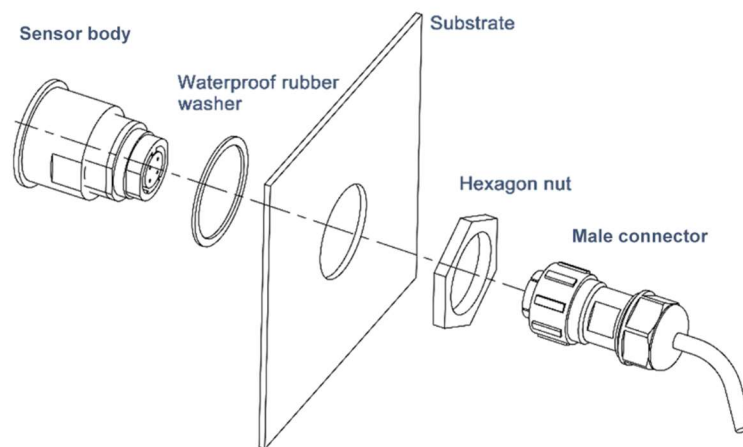
Unit: mm

Assembly

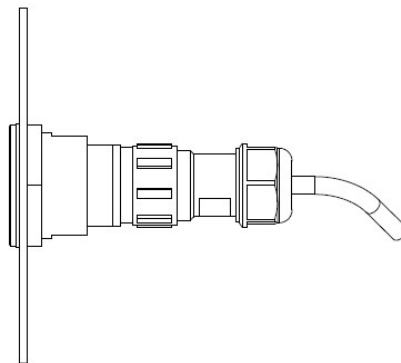
Preparation



Assembly



Complete



Tips: It is recommended that you apply outdoor waterproof adhesive to the joint between the sensor body and substrate after assembly, and check the joint regularly.

Specifications

Item	Specifications
Rated voltage	5 V DC
Operating temperature	-20°C to +70°C
Operating humidity	0% RH to 99% RH, non-condensing
Brightness measurement range	0 lux to 65535 lux
Cable length	5 m