

DS-D4012BW-2FC
600 × 337.5 Indoor LED

- The display and control system is wholly self-developed, which is stable, safety and controllable.
- Highly integrated and compatible cabinet with simple and lightweight design.
- Easy to disassemble lamp board, power supply, and receiving card on the front side with high-precision aluminum die casting cabinet design.
- The solders are made of lead-free and non-toxic solder paste materials, which will not cause harm to human body and the environment.
- Automatically identify high-brightness and harsh picture details and adjust the brightness of the partial zones with dynamic engine algorithms adopted. The image is soft and comfortable to view and its quality is enhanced when unnecessary power consumption is reduced.
- Automatically remove moisture to protect lamp board from water damage when the device is kept in a humid environment or left unused for a long time.
- Support multiple ways to adjust screen parameters via remote control, tablet, and platforms.

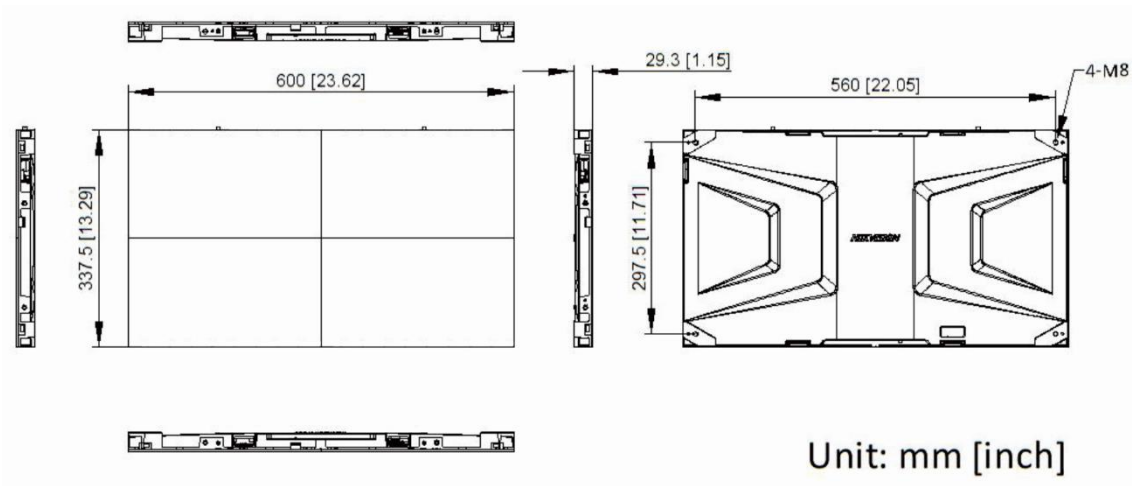
▪ Specification

Model		DS-D4012BW-2FC
Product Model	Product Model	DS-D4012BW-2FC
Product Type	Product Type	Small Pixel Pitch Indoor Full-color LED Display
Cabinet	Pixel Configuration	1R1G1B
	Pixel Pitch	1.25 mm (0.049")
	Pixel Density	640000 dots/m ²
	Modules Component	2 × 2
	Dimensions (W × H × D)	600 (W) mm × 337.5 (H) mm × 29.3 (D) mm (23.62" × 13.29" × 1.15")
	Resolution	480 × 270
	Area	0.2025 m ²
	Weight	3.4 kg (7.50 lb)
	Cabinet Material	Aluminium die casting
Maintenance Method	Front maintenance for all components	
Module	Dimensions	300 mm × 168.75 mm
	Module Resolution	240 × 135
Display	White Balance Brightness	600 cd/m ²
	Color Temperature	3000 K to 10000 K adjustable
	Viewing Angle	160° (H)/160° (V)
	Contrast Ratio	3000:1
	Color Uniformity	≤ ± 0.003Cx, Cy
	Brightness Uniformity	≥ 97%
Processing Performance	Driving Method	Constant current driving
	Scanning Amount	60
	Frame Frequency	60 Hz
	Refresh Rate	3840 Hz
	Grey Level	16 bit
Power	Max. Consumption	≤ 300 W/m ² (600 nits)
	Average Consumption	≤ 100 W/m ²
	Input Voltage	100~240 VAC ± 10%
General	Package Dimensions (W × H × D)	722 (W) mm × 438 (H) mm × 193 (D) mm (28.43" × 17.24" × 7.60")
	Packing List	Three-in-one Document (Qualifacation Card, Warranty Card, and RoHS) × 1 Several connecting screws, driver IC, iron sheets
	G.W.	4.56 kg (10.05 lb) (1 package in 1 box)
	Net Weight	3.4 kg (7.50 lb)
Working Environment	Working Temperature	-10 °C to 40 °C (14 °F to 104 °F)
	Working Humidity	10% RH to 90% RH (without condensation)
	Storage Temperature	-20 °C to 60 °C (-4 °F to 140 °F)
	Storage Humidity	10% RH to 90% RH (without condensation)

▪ **Available Model**

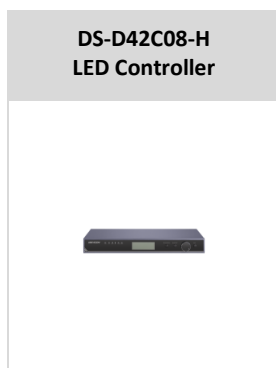
DS-D4012BW-2FC

▪ **Dimension**



▪ **Accessory**

▪ **Optional**



Headquarters

No.555 Qianmo Road, Binjiang District,
Hangzhou 310051, China
T +86-571-8807-5998
www.hikvision.com



Follow us on social media to get the latest product and solution information.

