

DS-3WF0FC-2N/O 2.4 Ghz 300 Mbps 1 KM Wireless Bridge



The wireless bridge can be applied in industries, such as wireless video security, railway, transportation, power and other industries, wireless video/data transmission, wireless coverage, carrier wireless backbone network construction, Wi-Fi wireless coverage, rural information construction, and wireless network coverage. The long-distance transmission of the device can guarantee multi-channel HD video transmission.

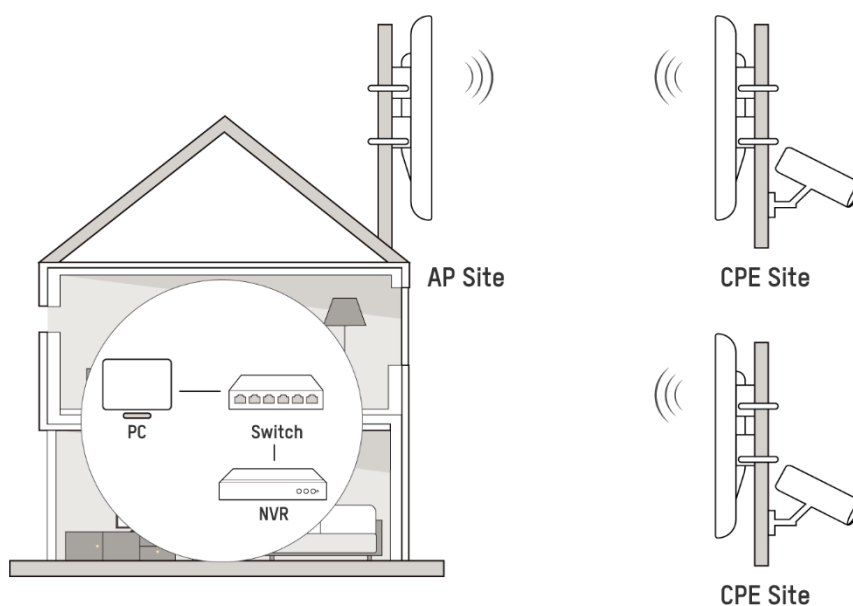
- Up to 1 km wireless transmission distance
- 300 Mbps 802.11n wireless bridge
- Built-in 7dBi 2 x 2 MIMO antenna
- Visualized topology management
- Real-Time alarm push technology

▪ Specification

Model		DS-3WF0FC-2N/O
Wireless Parameter	Max. Transmission Rate of Air Interface	≤ 300 Mbps
	Wireless Standard	IEEE 802.11b/g/n (2 × 2 MIMO 300 Mbps)
	Working Frequency Band	2400 MHz~2483.5 MHz
	Transmitting Power	17 ± 2 dBm @HT40 MCS7 (Note: Transmitting power may vary with local regulations.)
	Receiving Sensitivity	-87 ± 2 dB @HT40-MCS0 -68 ± 2 dB @HT40-MCS7
	Antenna Gain	7 dBi
	Antenna Angle	Beamwidth [3 dB] (35° ± 5°)
Network Parameters	Networking Mode	Point to point: Support up to 4-ch IPC (2MP) in Max. 1 KM distance and Max. 20 Mbps bandwidth; Point to multi-point: Support up to 4-ch IPC (2MP) in Max. 1 KM distance and Max. 20 Mbps bandwidth within 35° ± 5°, Max. 1 to 4 PTMP connection
Hardware Parameter	Port Numbers	2 × 10/100 Mbps RJ45 ports
	LED Indicator	Power indicator, LAN indicator, signal intensity indicator
	Reset	Hardware resetting button
	Power Supply	12 VDC/1 A Passive PoE
Software Function	Application Function	TDMA, DFS, TPC,IFM,IPM
	Channel Width	10/20/40 MHz
	Channel Selection	Auto/manual selection
	Network Protocol	NTP (network time synchronization), SADP (auto search for IP address), HTTPS (web management), SSH (debugging)
	Security Mode	WPA2-PSK
	Security Mechanism	Wireless network name hidden
	Management Method	Web, iVMS-4200, HCP
	Upgrade	Web, iVMS-4200, HCP
General	System Log	Syslog, control center information
	Product Dimensions (W × H × D)	81 mm × 165 mm × 52 mm (3.62" × 7.36" × 2.28")
	Package Dimensions (W × H × D)	132 mm × 228 mm × 91 mm (5.19" × 8.97" × 3.58")
	Net Weight	0.19 kg (0.42 lb)
	Gross Weight	0.49 kg (1.08 lb)
	Packing List	Wireless bridge × 1, power adapter (12 VDC, 1 A) × 1, 10/100 Mbps PoE injector × 1, binding tape × 2, quick start guide × 1, regulatory compliance and safety information x 1
	Packing Method	Single unit packing
	Working Temperature	-30 °C to 70 °C (-22 °F to 158 °F)
	Working Humidity	5% to 95% (no condensation)
	Storage Temperature	-40 °C to 80 °C (-40 °F to 176 °F)
	Storage Humidity	5% to 95% (no condensation)
Installation Mode	Pole mounting	

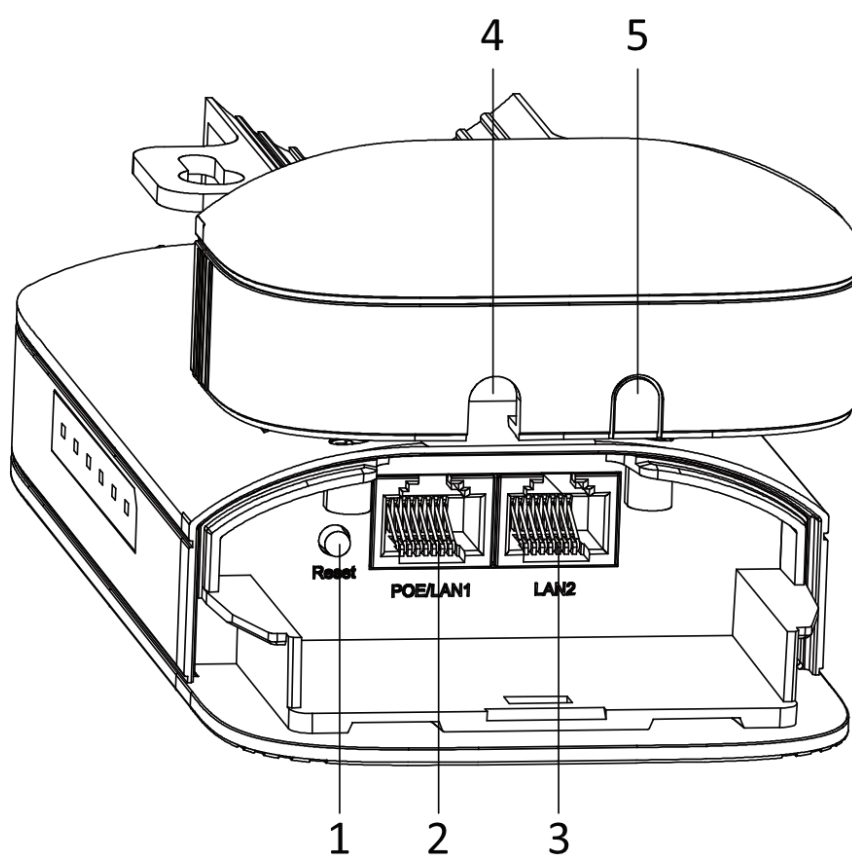
	Power Consumption	1.8 W for typical (1-ch 2MP IPC), Max. 4.5 W
Approval	EMC	CE-EMC (EN 55032: 2015+A11: 2020, EN IEC 61000-3-2: 2019, EN 61000-3-3: 2013+A1: 2019, EN 50130-4: 2011+A1: 2014, EN 55035: 2017+A11: 2020);
	Safety	UL (UL 62368); CB (AMD1:2009, AMD2:2013, IEC 62368-1: 2014 (Second Edition)); CE-LVD (EN 62368-1: 2014+A11: 2017)
	Chemistry	CE-RoHS (2011/65/EU); WEEE (2012/19/EU); Reach (Regulation (EC) No.1907/2006)
	Radio	EN 301 893; EN 300 440; EN 62311; EN 301 489-3; EN 301 489-17

▪ **Typical Application**



▪ **Physical Interface**

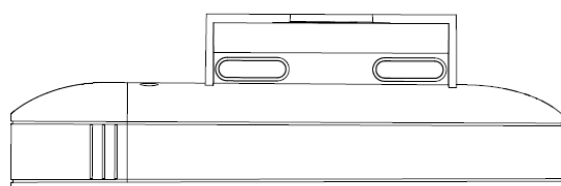
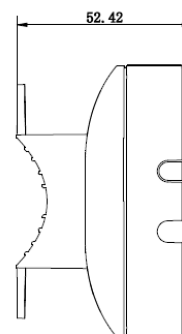
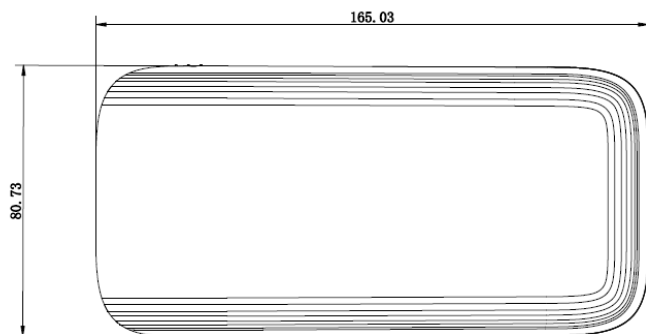
No.	Interface/Button	Description
1	Reset	Long press for 4 seconds to restore to factory settings.
2	PoE/LAN 1	The 10/100 Mbps adaptive RJ45 port, also can be used as a PoE port.
3	LAN 2	The 10/100 Mbps adaptive RJ45 port.
4/5	Network Cable Slot	Reserved for easy placement of the network cables.



▪ **Available Model**

DS-3WF0FC-2N/O

▪ **Dimension**



Unit: mm

Headquarters

No.555 Qianmo Road, Binjiang District,
Hangzhou 310051, China
T +86-571-8807-5998
www.hikvision.com



Follow us on social media to get the latest product and solution information.

