

DS-2TD4667T-25A4/W Bi-spectrum Thermography Portable Thermal PTZ Camera



Hikvision DS-2TD4667T-25A4/W Bi-spectrum portable thermal PTZ camera supports temperature measurement, fire detection and perimeter protection. It is also equipped with a high-suction magnet at the base, which is easy to install. DS-2TD4667T-25A4/W can be widely applied in temporary operation scenes like substation etc.

- 640 × 512 resolution, 17 μm, VOx UFPA, NETD < 35 mK (25°C, F1.0)
- High accuracy temperature exception alarm, -20°C to 550°C (-4°F to 1022°F), Max. (± 2°C, ± 2%)
- Image processing technology: linear, histogram, self-adaptive thermal AGC mode, DDE, 3D DNR
- Support GPS positioning function
- 2.4GHz Wi-Fi, easy for set-up.; LTE-TDD/LTE-FDD/WCDMA 4G wireless network transmission, support Micro SIM card
- One battery can support more than 10 hours of continuous working when the camera is only recording, and less than 6 hours of charging time when the camera is off
- Equipped with high suction magnets at the bottom, easy to install
- Support mic and speaker

▪ Specification

Model		DS-2TD4667T-25A4/W
Thermal Module	Image Sensor	VOx Uncooled Focal Plane Arrays
	Resolution	640 x 512
	Spectral Range	8 μm to 14 μm
	Pixel Pitch	17 μm
	Focal Length	25 mm
	Focus Mode	Athermalized
	IFOV	0.68 mrad
	NETD	Less than 35 mK (@25 °C, F#=1.0)
	Field of View	24.6° × 19.8° (H × V)
	Aperture	F1.0
	Digital Zoom	×1, ×2, ×4, ×8
	Min. Focusing Distance	5 m
Optical Module	Image Sensor	1/2.8" Progressive Scan CMOS
	Resolution	2560 × 1440, 4 MP
	Field of View	55°×33° (H × V)~2.4°×1.4° (H × V)
	Focal Length	4.8 mm~120 mm, 25X
	Min. Illumination	Color: 0.05 Lux @ (F1.3, AGC ON), B/W: 0.01 Lux @ (F1.3, AGC ON)
	Aperture (Range)	F1.0-F1.6
	Focus Mode	Semi-auto & Manual
	Digital Zoom	×1, ×2, ×4, ×8, ×16
	Day & Night Mode	IR cut filter with auto switch
	Shutter Speed	1/1 s to 1/30,000 s
	WDR	120 dB
	Optical Defog	No, support defog by algorithm
Image Effect	Picture in Picture	Display partial image of thermal channel on the full screen of optical channel
	Target Coloration	Supported in white hot and black hot mode(Up to 15 types)
PTZ	Movement Range	Pan: 360° Continuous Rotate; Tilt: From -20° to +90° (auto flip)
	Pan Speed	Configurable, From 0.2°/s to 200°/s
	Tilt Speed	Configurable, From 0.2°/s to 100°/s
	Proportional Zoom	Yes
	Presets	300 in total, 273 are configurable.
	Patrol Scan	8; Up to 32 Presets Per Patrol

	Pattern Scan	4; More Than 10 Minutes Per Pattern
	Power Off Memory	Yes
	Park	Preset/Pattern Scan/Patrol Scan/Auto Scan/Tilt Scan/Random Scan/Frame Scan/Panorama Scan
Illuminator	IR Distance	Up to 100m
	IR Intensity and Angle	Automatically adjusted
Smart Function	VCA	4 VCA rule types (line crossing, intrusion, region entrance, and region exiting), 10 scenes and 8 VCA rules for each scene.
	Temperature Measurement	3 temperature measurement rule types, 273 presets as scene, 21 rules of each scene (10 points, 10 areas, and 1 line)
	Temperature Range	-20°C to 550°C (-4°F to 1022°F)
	Temperature Accuracy	Max ($\pm 2^{\circ}\text{C}$, $\pm 2\%$)
	Fire Detection	Dynamic fire detection, up to 10 fire points detectable
Video and Audio	Main Stream	Optical channel 50 Hz: 25 fps (2560 × 1440, 1920 × 1080, 1280 × 960, 1280 × 720) 60 Hz: 30 fps (2560 × 1440, 1920 × 1080, 1280 × 960, 1280 × 720) Thermal channel 25 fps (1280 × 720, 704 × 576, 352 × 288, 384 × 288)
	Sub-stream	Optical channel 50 Hz: 25fps (704 × 576, 352 × 288) 60 Hz: 30 fps (704 × 576, 352 × 288) Thermal channel 50 fps (704 × 576, 352 × 288, 384 × 288)
	Video Compression	Main stream: H.265+/H.265/H.264+/ H.264 Sub-stream: H.265/H.264
	Audio Compression	G .711u/G.711a/G.722.1/MP2L2/G.726/PCM
Network	Protocols	IPv4/IPv6, HTTP, HTTPS, 802.1x, Qos, FTP, SMTP, UPnP, SNMP, DNS, DDNS, NTP, RTSP, RTCP, RTP, TCP, UDP, IGMP, ICMP, DHCP, PPPoE
	Network Storage	MicroSD/SDHC/SDXC card (up to 256 G) local storage, and NAS (NFS, SMB/CIFS), auto network replenishment (ANR)
	API	ISAPI, HIKVISION SDK, third-party management platform, ONVIF (Profile S, Profile G, Profile T)
	Simultaneous Live View	Up to 20 channels
	User/Host level	Up to 32 users, 3 levels: Administrator, Operator, User
	Security	User authentication (ID and password), MAC address binding, HTTPS encryption, IEEE 802.1x access control, IP address filtering
	Client	iVMS-4200, Hik-Connect
	Web Browser	Live view (plug-in allowed) : Internet Explorer 11 Live view (plug-in free) : Chrome 57.0 +, Firefox 52.0 + Local service : Chrome 57.0+, Firefox 52.0 +

Mobile Communication	SIM Card Type	MicroSIM
	Frequency	LTE FDD: B 1/3/5/7/8/20/28
		LTE TDD: B 38/40/41 WCDMA: B 1/5/8
	Standard	LTE FDD/LTE TDD/WCDMA
Wi-Fi	Wi-Fi standard: IEEE802.11b, 802.11g, 802.11n Frequency range: 2.4GHz~2.4835GHz Channel bandwidth: Support 20MHz Security: 64/128-bit WEP, WPA/WPA2, WPA-PSK/WPA2-PSK	
Interface	Alarm Action	Preset/Patrol Scan/Pattern Scan/SD Card Record/Relay Output/Smart capture/FTP upload/Email linkage
	Audio Input	Built-In 2 Mics
	Audio Output	Built-In Speaker
	Communication Interface	1, RJ45 10 M/100 M Self-adaptive Ethernet interface. 1, RS-485 interface
General	Menu Language	32 languages English, Russian, Estonian, Bulgarian, Hungarian, Greek, German, Italian, Czech, Slovak, French, Polish, Dutch, Portuguese, Spanish, Romanian, Danish, Swedish, Norwegian, Finnish, Croatian, Slovenian, Serbian, Turkish, Korean, Traditional Chinese, Thai, Vietnamese, Japanese, Latvian, Lithuanian, Portuguese (Brazil)
	Power Supply	12VDC \pm 20%, two-core terminal
	Power Consumption	2A, max. 20 W
	Working Temperature/Humidity	From -20°C to 60°C (-68°F to 140°F); Humidity: 90% or Less
	Protection Level	IP67 Standard; TVS 4000V Lightning Protection, Surge Protection and Voltage Transient Protection
	Dimensions	\varnothing 176mm \times 299mm
	Weight	Approx. 4.5 kg (10.8 lb)
	Mount	Magnetic suction mouting
Battery	Battery Type	Lithium battery
	Battery Voltage	10.9V
	Battery Capacity	10.5 Ah
	Max. Charging Voltage	12.6 V
Approval	Other	E-mark and EN45545 on-board certification

▪ Range Table

VCA Range (Vehicles: 1.4 \times 4.0 m)	VCA Range (Humans: 1.8 \times 0.5 m)	Temperature Measurement (Object:	Temperature Measurement (Object: 1
---	---	-------------------------------------	---------------------------------------

		0.2 × 0.2 m)	× 1 m)
525 m	175 m	58.8 m	294 m

▪ DORI

* The table is only for reference and the performance may vary from camera to camera.

Detection Range: In order to distinguish an object from the background, the image must be covered by 1.5 or more pixels.

Recognition Range: In order to classify the object (animal, human, vehicle, etc.), the image must have at least 6 pixels across its critical dimension.

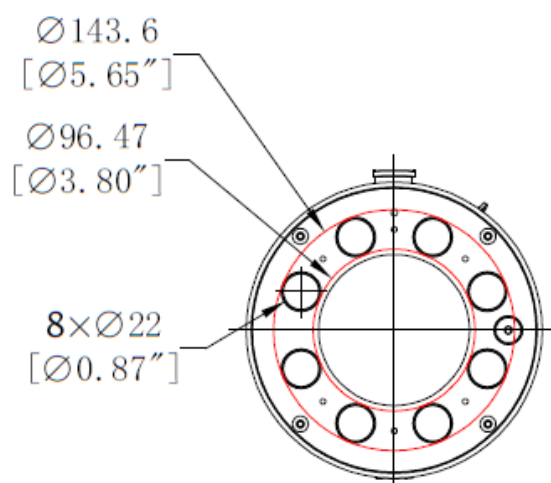
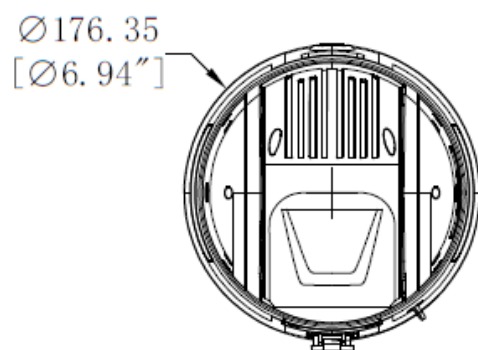
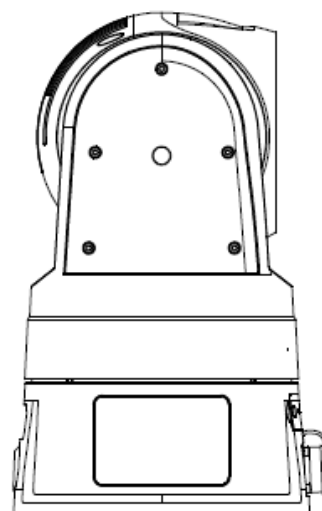
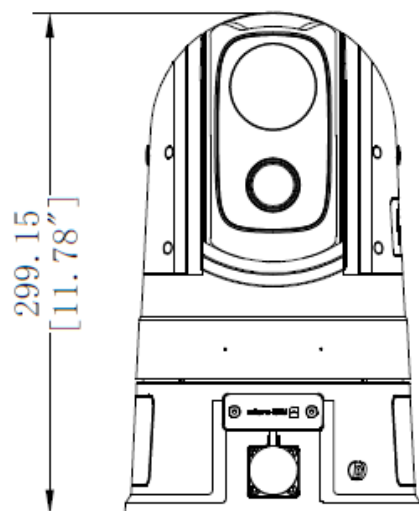
Identification Range: In order to identify the object and describe it in details, the critical dimension must have be least 12 pixels across

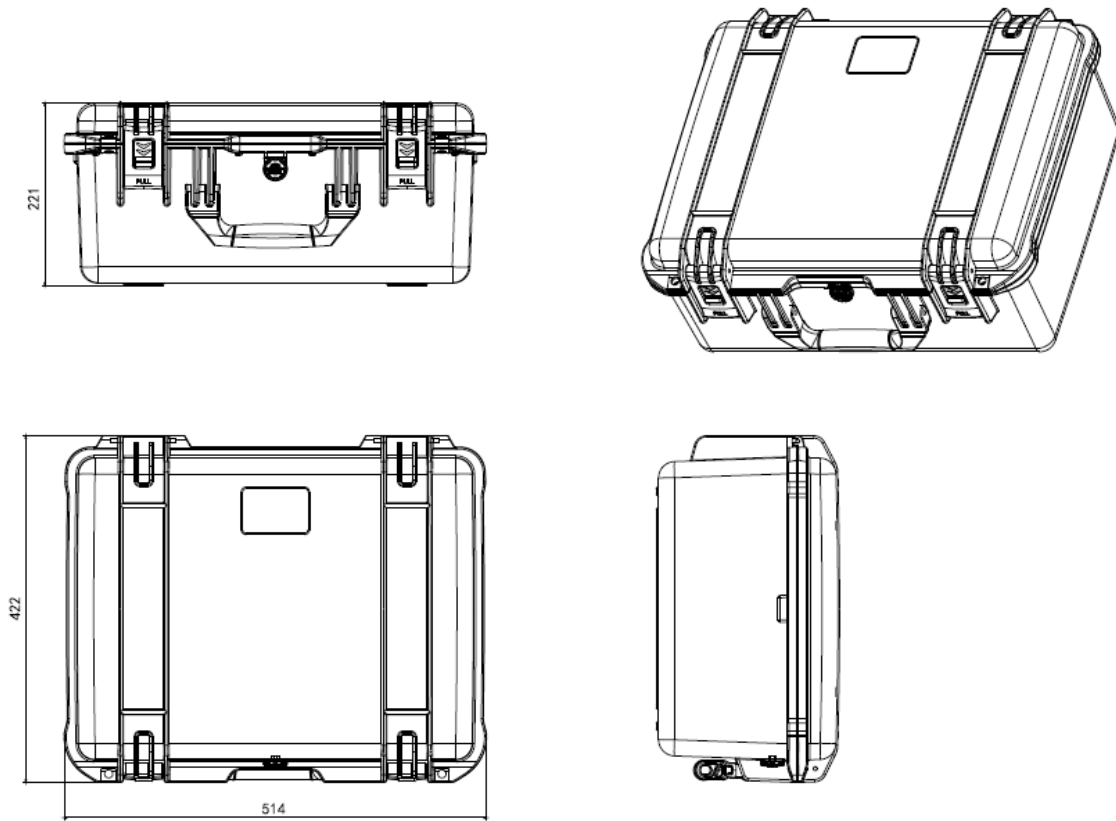
Detection Range (Vehicles: 1.4 × 4.0 m)	Detection Range (Humans: 1.8 × 0.5 m)	Recognition Range (Vehicles: 1.4 × 4.0 m)	Recognition Range (Humans: 1.8 × 0.5 m)	Identification Range (Vehicles: 1.4 × 4.0 m)	Identification Range (Humans: 1.8 × 0.5 m)
2255 m	735 m	564 m	184 m	282 m	92 m

▪ Available Model

DS-2TD4667T-25A4/W

▪ Dimension





Headquarters

No.555 Qianmo Road, Binjiang District,
Hangzhou 310051, China
T +86-571-8807-5998
www.hikvision.com



Follow us on social media to get the latest product and solution information.

