

**DS-2CE57D3T-VPITF**  
**2 MP Ultra Low Light Vandal Fixed Dome Camera**



- 2 MP dome camera
- Strong night performance, capturing images in ultra-low light down to 0.005 lux
- Clear imaging even against strong back lighting due to 120 dB true WDR technology
- 3D DNR technology delivers clean and sharp images
- EXIR 2.0: advanced infrared technology with 30 m IR distance
- Water and dust resistant (IP66) and vandal proof (IK10)
- 4 in 1 (4 signals switchable TVI/AHD/CVI/CVBS)

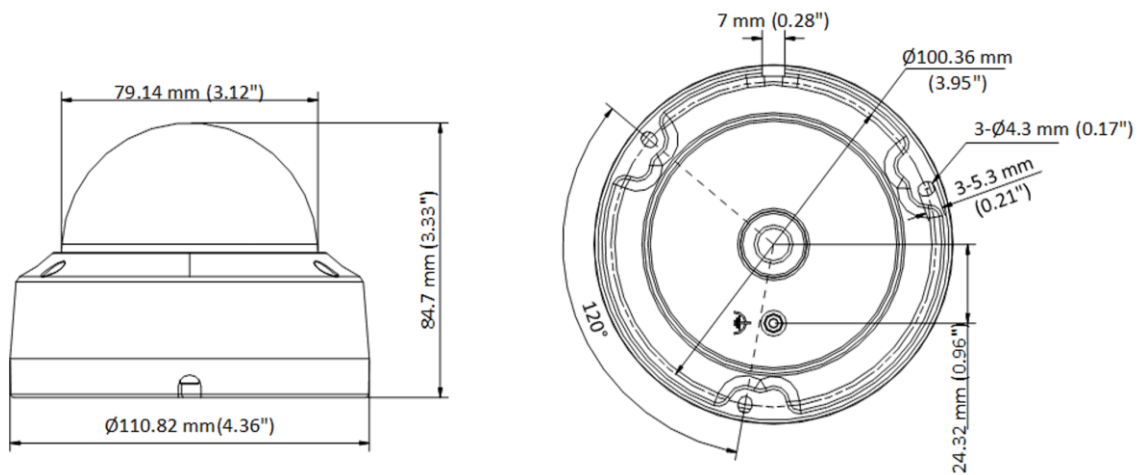
## ▪ Specification

Camera	
Image Sensor	2.0 megapixel progressive scan CMOS
Max. Resolution	1920 (H) × 1080 (V)
Min. Illumination	0.005 Lux@(F2.0, AGC ON), 0 Lux with IR
Shutter Time	PAL: 1/25 s to 1/50,000 s; NTSC: 1/30 s to 1/50,000 s
Day & Night	IR Cut Filter
Angle Adjustment	Pan: 0° to 355°, Tilt: 0° to 75°, Rotation: 0° to 355°
Signal System	PAL/NTSC
Lens	
Lens Type	2.8 mm, 3.6 mm, 6 mm
Focal Length & FOV	106° (2.8 mm), 82° (3.6 mm), 51° (6 mm)
Lens Mount	M12
Illuminator	
Supplement Light Type	IR
Supplement Light Range	Up to 30 m
Smart Supplement Light	Yes
Image	
Image Parameters Switch	STD/HIGH-SAT
Image Settings	Brightness, Mirror, Sharpness, AGC
Frame Rate	PAL: 1080p@25fps NTSC: 1080p@30fps
Day/Night Mode	Auto/Color/BW (Black and White)
Wide Dynamic Range (WDR)	≥120 dB
Image Enhancement	WDR, BLC, HLC
Noise Reduction	3D DNR
Interface	
Video Output	Switchable TVI/AHD/CVI/CVBS, 1 HD analog output
General	
Power	12 VDC ±25%, max. 4.6 W *You are recommended to use one power adapter to supply the power for one camera.
Material	Metal
Dimension	Φ 110.8 mm × 84.7 mm (Φ 4.4" × 3.3")
Weight	Approx. 374 g (0.82 lb.)
Operating Condition	-40 °C to 60 °C (-40 °F to 140 °F), Humidity: 90% or less (non-condensation)
Language	English
Approval	
Protection	IP67, IK10

## ▪ Available Model

DS-2CE57D3T-VPITF

▪ **Dimension**



▪ **Accessory**

▪ **Optional**

DS-1272ZJ-110B Wall Mount	DS-1258ZJ Wall Mount	DS-1272ZJ-110 Wall Mount	DS-1271ZJ-110 Pendant Mount	DS-1275ZJ-SUS Vertical Pole Mount
				
DS-1276ZJ-SUS Corner Mount	DS-1280ZJ-DM18 Junction Box	DS-1259ZJ Inclined Ceiling Mount	DS-1250ZJ Rain Shade	DS-1253ZJ-M Rain Shade
				



**Headquarters**

No.555 Qianmo Road, Binjiang District,  
Hangzhou 310051, China  
T +86-571-8807-5998  
www.hikvision.com



Follow us on social media to get the latest product and solution information.

