

DS-2CE16D0T-LXTS 2MP Two-Way Audio & Siren Fixed Mini Bullet Camera



- High quality imaging with 2 MP, 1920 × 1080 resolution
- 2.8 mm, 3.6 mm fixed focal lens
- Up to 30 m IR distance for bright night imaging
- Up to 20 m white light distance for bright night imaging
- Smart-Hybrid Light, optimize your security with flexible lighting options
- Active strobe light and audio alarm
- High quality audio with audio over coaxial cable, built-in mic, and built-in speaker
- Provide real-time communication via built-in two-way audio
- Water and dust resistant (IP67)

▪ Specification

| Camera | |
|--------------------------|--|
| Image Sensor | 2 MP CMOS |
| Max. Resolution | 1920 (H) × 1080 (V) |
| Min. Illumination | 0.01 Lux @(F1.6, AGC ON), 0 Lux with White Light |
| Shutter Time | PAL: 1/12.5 s to 1/50,000 s, NTSC: 1/15 s to 1/50,000 s |
| Day & Night | ICR |
| Angle Adjustment | Pan: 0° to 360°, Tilt: 0° to 90°, Rotate: 0° to 360° |
| Signal System | PAL/NTSC |
| Lens | |
| Lens Type | 2.8 mm, 3.6 mm fixed lens |
| Focal Length & FOV | 2.8 mm, horizontal FOV: 105°, vertical FOV: 59°, diagonal FOV: 127°; 3.6 mm, horizontal FOV: 87°, vertical FOV: 46°, diagonal FOV: 105° |
| Lens Mount | M12 |
| Microphone | |
| Pickup Distance | In a radius of up to 5 m |
| Amount | 1 |
| Speaker | |
| Rated Power | 2 W |
| Speaker Range | In a radius of up to 5 m |
| Illuminator | |
| Supplement Light Type | IR, White Light |
| Supplement Light Range | IR: Up to 30 m, White Light: Up to 20 m |
| Image | |
| Image Settings | Anti-banding, Brightness, Sharpness, Smart IR |
| Frame Rate | TVI: 1080p @25 fps/30 fps |
| Day/Night Mode | Auto/Color/BW (Black and White) |
| Wide Dynamic Range (WDR) | Digital WDR |
| Image Enhancement | DWDR, BLC, HLC, Global, HLS |
| Noise Reduction | 2D DNR |
| White Balance | Auto, Manual |
| Audio | |
| Audio Function | Echo Cancellation, AI Noise Reduction, Automatic Gain Control |
| Interface | |
| Video Output | 1 HD analog output |
| Alarm | Flashing Light Alarm (Red & Blue) |

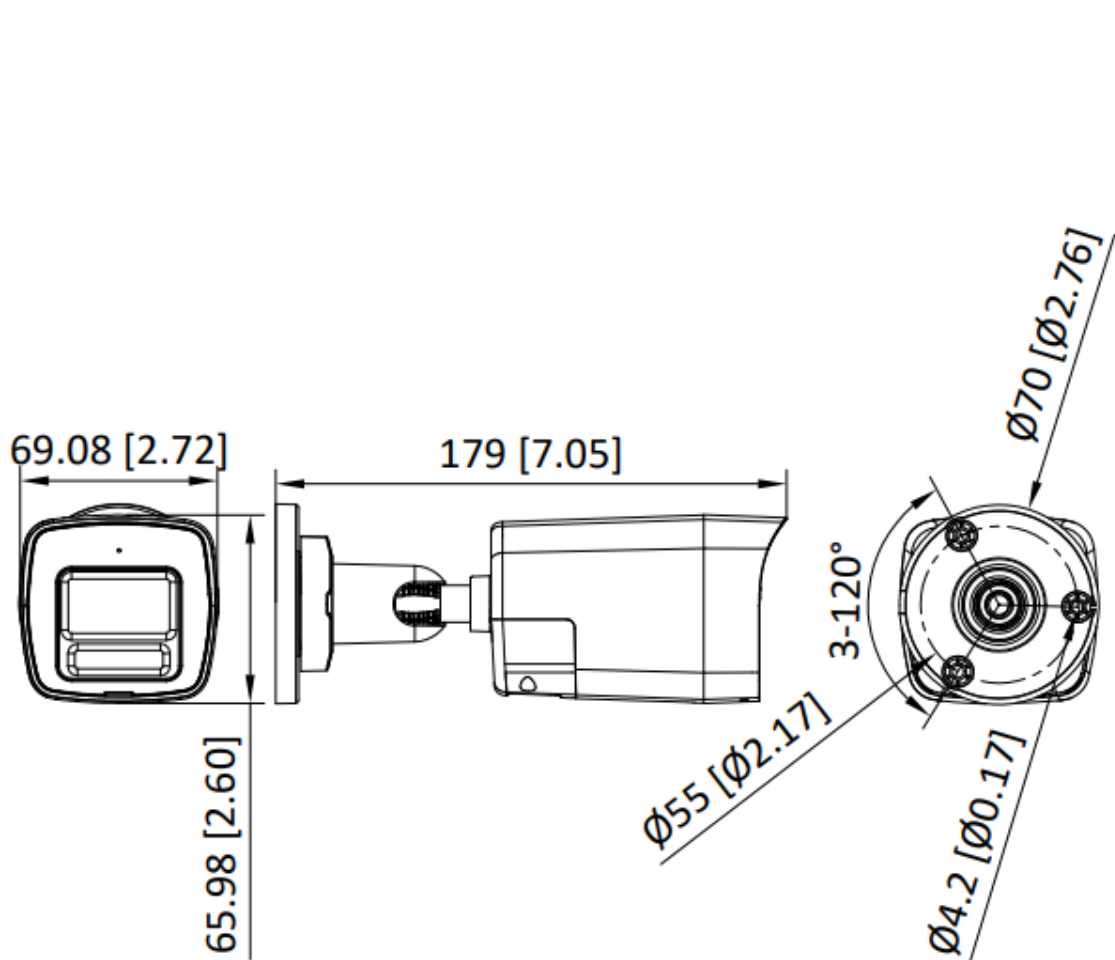
| General | |
|---------------------|---|
| Power | 12 VDC \pm 25%, max.7.7 W |
| Material | Metal |
| Dimension | 179 mm \times 66 mm \times 69.1 mm (7.05" \times 2.6" \times 2.72") |
| Weight | Approx. 435 g (0.96 lb.) |
| Operating Condition | -40 °C to 60 °C (-40 °F to 140 °F). Humidity 90% or less (non-condensing) |
| Communication | HIKVISION-C |
| Language | English |
| Approval | |
| Protection | IP67 |

▪ **Available Model**

DS-2CE16D0T-LXTS(2.8mm)

DS-2CE16D0T-LXTS(3.6mm)





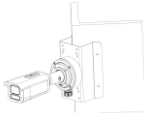
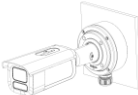
▪ **Dimension**



Unit:mm [inch]

| | |
|-------|-----|
| SCALE | 1:1 |
|-------|-----|

▪ **Accessory**▪ **Optional**

| DS-1275ZJ-SUS Vertical pole mount | DS-1276ZJ-SUS Corner mount | DS-1280ZJ-XS Junction box |
|---|---|---|
|  |  |  |
|  |  |  |

Headquarters

No.555 Qianmo Road, Binjiang District,
Hangzhou 310051, China
T +86-571-8807-5998
www.hikvision.com



Follow us on social media to get the latest product and solution information.

