



ergo-T & ergo-T plus

TOUCHSCREEN KEYPADS
KSI2100040.302 - KSI2100041.302

INTRODUCTION

ergo-T and ergo-T plus are the touchscreen keypads of latest generation, the ideal command and control interface of lares 4.0 control panels.

Unlike all the typical touchscreen products of the Security market, ergo-T and ergo-T plus differ in a contrast and a resolution comparable to that of the end-user devices, thus closer to the everyday end-user experience.

They do not communicate to the panel via BUS, they use the network port instead. In this way, not only is it possible to manage all the various functions related to Intrusion Security, but also the functions of Video Surveillance, Access Control, up to what is today defined as Home Automation or Smart Home in general (i.e. management of the various automations, lights, temperatures, motorized shutters, appliances, irrigation, etc.).

Even though they use the network port, ergo-T and ergo-T plus are recognized by the control panel with a fast acquisition process with no need of any configuration on the router; furthermore, they can be supervised by the panel like a normal keypad on BUS.

ergo-T and ergo-T plus have a graphic interface in line with lares 4.0 mobile application: this guarantees the same user experience to the end-user, whether he manages the panel locally or remotely.

They are easily customizable by the user both in the theme (light or dark) and in the use of 6 favourite commands which can be directly put in the dashboard.

Moreover, they comply with any need of installations: in residential environments, they can be used to get access to all Smart Home functions without the need to enter the PIN code, that is required only for the activities related to Security; in commercial environments, they can be used in protected mode, therefore it is possible to surf through the various available functions only entering a valid user PIN.

ergo-T and ergo-T plus have an ideal position in any round wall-mounting box (60 mm pitch) or DIN 503 and can be powered with 12V or with PoE (Power over Ethernet).

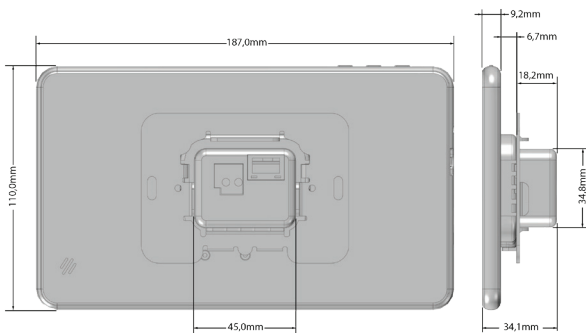
The keypads are available in 7" (ergo-T) and 10" (ergo-T plus) size.

DATASHEET

TECHNICAL FEATURES

Technical features ergo-T

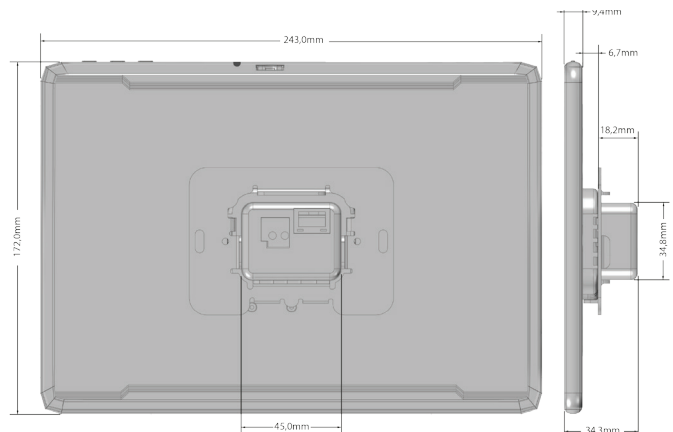
IP interface: PoE - 13W max
Power supply: 10 -15Vdc, 700mA max
Display Capacitive Touch: 7" TFT
Resolution: 1920x1200 (FHD)
CPU: Rockchip 3368 Octacore
GPU: Mali-400MP GPU
Operating System: Android 7.0
RAM: 2 GB
Nand Flash: 8 GB
SD Card Slot: max 32 GB



ergo-T

Technical features ergo-T plus

IP interface: PoE - 13W max
Power supply: 10 - 15Vdc, 700mA max
Display Capacitive Touch: 10" TFT
Resolution: 1920x1200 (FHD)
CPU: Rockchip 3368 Octa core
GPU: Mali-400MP GPU
Operating System: Android 7.0
RAM: 2 GB
Nand Flash: 8 GB
SD Card Slot: max 32 GB



ergo-T plus



- ① Power supply 13,8 Vdc
- ② 10/100 T + PoE ethernet connection
- ③ Fastening
- ④ Fastening plate for DIN 503 and round (pitch 60 mm) boxes
- ⑤ Fixing screws

APP lares 4.0



ergo-T & ergo-T plus as 'TOUCHSCREEN', are the latest generation multi-touch capacitive keyboards with extremely high contrast and resolution.

Ideal command and control interface for the new lares 4.0 control panel, the later born from the 'ergo' series of keyboards; unlike all the numerous tablets on the market, it has been designed as a MULTIMEDIA CENTER from which it is possible to manage and program all the various functions in the area of both Security (therefore of Intrusion, Video-surveillance and Access Control) and also that which today is defined in a broad sense Home automation or SMART HOME - SMART BUILDING (i.e. the various management of Automation, Lights, Temperatures, Appliances, Irrigation, etc.) associated with a single scenario in the mix we want and that makes life easier both in the home and in a large commercial or industrial building. With this objective, the ergo-T and ergo-T plus keyboards are ideally placed inside any DIN 503 or round wall box (60 mm pitch), both in the 7-inch and 10-inch format (T plus) powered and connected via PoE gateway (Power over Ethernet).

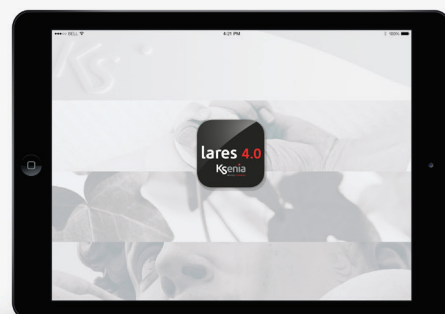
ergo-T & ergo-T plus



Smartphone



Tablet



DATASHEET

HOW TO ORDER

KSI2100040.302 - ergo-T

KSI2100041.302 - ergo-T plus

PARTS INCLUDED

1 ergo-T or ergo-T plus keyboard

1 attachment brackets

2 Screws for DIN 503 box

ENVIROMENTAL RESPECT

ergo-T & ergo-T plus have been designed and realized with the following characteristics to reduce its enviromental care:

- Halogen free laminates and lead-free PCBA
- Low consumption
- Packaging realized mainly with recycled fibers and materials

