

## iDS-7204HQHI-M1/XT 4-ch 1080p 1U H.265 AcuSense DVR

### Key Feature

- 4 channels and 1 HDD 1U AcuSense DVR
- Support 1-ch Facial Recognition or 2-ch advanced model Perimeter Protection based on Deep Learning algorithm
- Support HDTV I Two-Way Audio technology
- Efficient H.265 pro+ compression technology
- Encoding ability up to 3K/5MP Lite @ 12 fps
- 5 signals input adaptively (HDTV I/AHD/CVI/CVBS/IP)
- Up to 6 network cameras can be connected
- Support All channels Motion Detection technology



### Compression and Recording

- H.265 Pro+ can be enabled to improve encoding efficiency and reduce data storage costs
- Recording at up to 3K / 5 MP Lite resolution

### Storage and Playback

- 1 SATA interface (up to 10 TB capacity)
- Smart search for efficient playback

### Smart Function

- Deep learning based human and vehicle targets classification of Motion Detection 2.0
- Deep learning based perimeter protection

### Network & Ethernet Access

- Compatible with major Wi-Fi dongle products in the market
- Hik-Connect & DDNS for easy network management

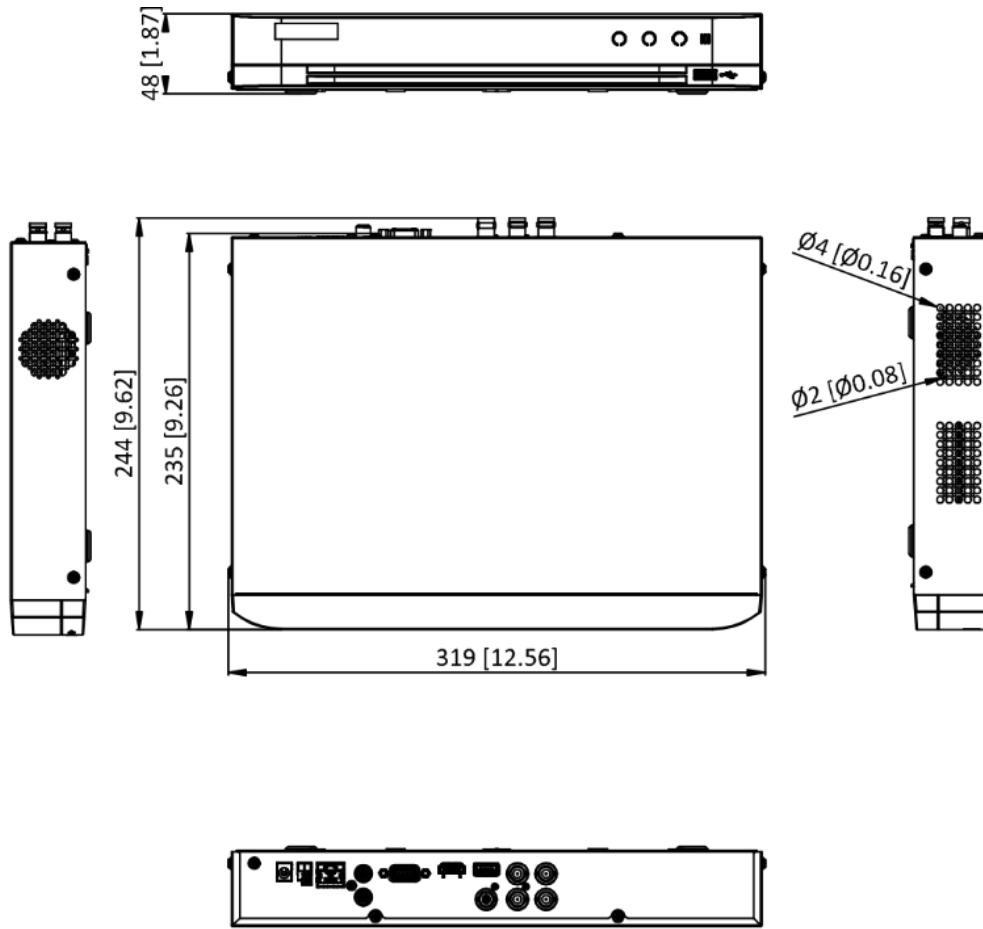
## ▪ Specification

Facial Recognition	
Face Picture Comparison	Face picture comparison, face picture search (1-ch face picture comparison alarm for HD analog camera)
Face Picture Library	Up to 16 face picture libraries
Motion Detection 2.0	
Human/Vehicle Analysis	Deep learning-based motion detection 2.0 is enabled by default for all analog channels, it can classify human and vehicle, and extremely reduce false alarms caused by objects like leaves and lights; Quick search by object or event type is supported;
Perimeter Protection	
Human/Vehicle Analysis	Up to 2-ch
Recording	
Video Compression	H.265 Pro+/H.265 Pro/H.265/H.264+/H.264
Encoding Resolution	When 1080p Lite mode is not enabled: 3K lite/5 MP lite/4 MP lite/1080p/720p/VGA/WD1/4CIF/CIF; When 1080p Lite mode is enabled: 3K lite/5 MP lite/4 MP lite/1080p lite/720p lite/VGA/WD1/4CIF/CIF
Frame Rate	Main stream: When 1080p Lite mode not enabled: For 3K stream access: 3K lite@12fps;4 MP lite/1080p@15fps;720p/WD1/4CIF/VGA/CIF@20fps For 5 MP stream access: 5 MP lite@12fps;4 MP lite/1080p@15fps;720p/WD1/4CIF/VGA/CIF@20fps For 4 MP stream access: 4 MP lite/1080p@15fps;720p/WD1/4CIF/VGA/CIF@25fps (P)/30fps (N) For 1080p stream access: 1080p/720p@15fps; VGA/WD1/4CIF/CIF@25fps (P)/30fps (N) For 720p stream access: 720p/VGA/WD1/4CIF/CIF@25fps (P)/30fps (N) When 1080p Lite mode enabled: 3K lite/5 MP lite@12fps;4 MP lite@15fps;1080p lite/720p lite/VGA/WD1/4CIF/CIF@25fps (P)/30fps (N) Sub-stream: WD1/4CIF@12fps; CIF@25fps (P)/30fps (N)
Video Bitrate	32 Kbps to 6 Mbps
Dual-stream	Support main stream or sub stream

Stream Type	Video, Video & Audio
Audio Compression	G.711u
Audio Bitrate	64 Kbps
<b>Video and Audio</b>	
IP Video Input	1-ch (up to 5-ch)  Enhanced IP mode on: 2-ch (up to 6-ch), each up to 4 Mbps Up to 6 MP resolution Support H.265+/H.265/H.264+/H.264 IP cameras
Analog Video Input	4-ch BNC interface (1.0 Vp-p, 75 Ω), supporting coaxitron connection
HDTVI Input	3K(2960 × 1665)@20 fps, 5 MP(2560 × 1944)@20 fps, 4 MP(2560 × 1440)@30 fps, 4 MP(2560 × 1440)@25 fps, 1080p@30 fps, 1080p@25 fps, 720p@30 fps, 720p@25 fps
AHD Input	5 MP(2560 × 1944)@20 fps, 4 MP(2560 × 1440)@30 fps, 4 MP(2560 × 1440)@25 fps, 1080p@30 fps, 1080p@25 fps, 720p@30 fps, 720p@25 fps
HDCVI Input	5 MP(2592 × 1944)@20 fps, 4 MP(2560 × 1440)@30 fps, 4 MP(2560 × 1440)@25 fps, 1080p@30 fps, 1080p@25 fps, 720p@30 fps, 720p@25 fps
CVBS Input	PAL/NTSC
CVBS Output	1-ch, BNC (1.0 Vp-p, 75 Ω), resolution: PAL: 704 × 576, NTSC: 704 × 480
HDMI Output	1-ch, 1920 × 1080/60Hz, 1280 × 1024/60Hz, 1280 × 720/60Hz, HDMI/VGA simultaneous output
VGA Output	1-ch, 1920 × 1080/60Hz, 1280 × 1024/60Hz, 1280 × 720/60Hz, HDMI/VGA simultaneous output
Audio Input	1-ch (up to 4-ch is optional), RCA (2.0 Vp-p, 1 KΩ) 4-ch via coaxial cable
Audio Output	1-ch, RCA (Linear, 1 KΩ)
Two-Way Audio	1-ch, RCA (2.0 Vp-p, 1 KΩ) (using the first audio input)
Synchronous playback	4-ch
<b>Network</b>	
Remote Connection	32
Total Bandwidth	72 Mbps
Network Protocol	TCP/IP, PPPoE, DHCP, Hik-Connect, DNS, DDNS, NTP, SADP, NFS, iSCSI, UPnP™, HTTPS, ONVIF
Network Interface	1, RJ45 10/100 Mbps self-adaptive Ethernet interface

Wi-Fi	Connectable to Wi-Fi network by Wi-Fi dongle through USB interface
<b>Auxiliary Interface</b>	
SATA	1 SATA interface, up to 10 TB capacity for each disk
Serial Interface	RS-485 (half-duplex)
USB Interface	Front panel: 1 × USB 2.0; Rear panel: 1 × USB 2.0
Alarm In/Out	N/A (optional to support)
<b>General</b>	
Power Supply	12 VDC, 1.5 A
Consumption	≤ 18 W
Working Temperature	-10 °C to 55 °C (14 °F to 131 °F)
Working Humidity	10% to 90%
Dimension (W × D × H)	315 × 242 × 45 mm (12.4 × 9.5 × 1.8 inch)
Weight	≤ 1.16 kg (2.6 lb)

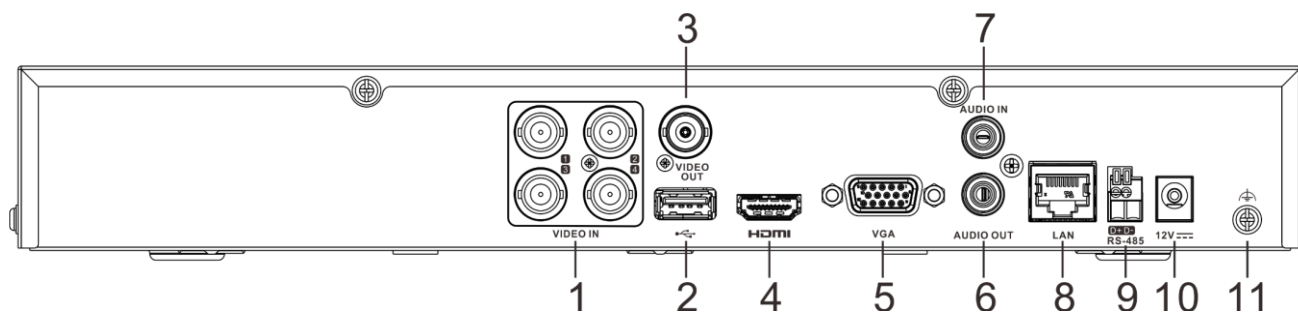
# Dimension



Unit:mm [inch]

SCALE 1:1

## Physical Interface



No.	Description	No.	Description
1	VIDEO IN	7	AUDIO IN, RCA connector
2	USB interface	8	LAN network interface
3	VIDEO OUT	9	RS-485 serial interface
4	HDMI interface	10	12 VDC power input
5	VGA interface	11	GND
6	AUDIO OUT, RCA connector		

## Available Model

iDS-7204HQHI-M1/XT

### Headquarters

No.555 Qianmo Road, Binjiang District,  
Hangzhou 310051, China  
T +86-571-8807-5998  
www.hikvision.com



Follow us on social media to get the latest product and solution information.

