

ND16C

Ultraslim recessed square Led downlight

Finished:



Options:

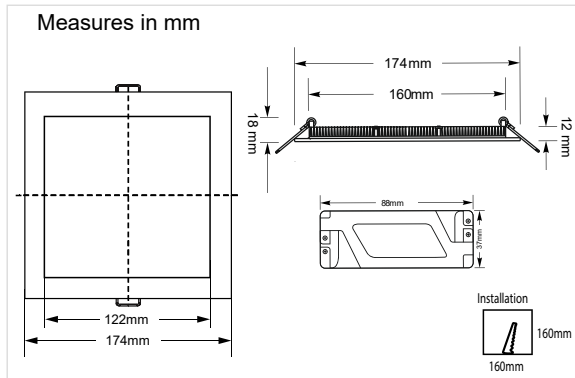


Product



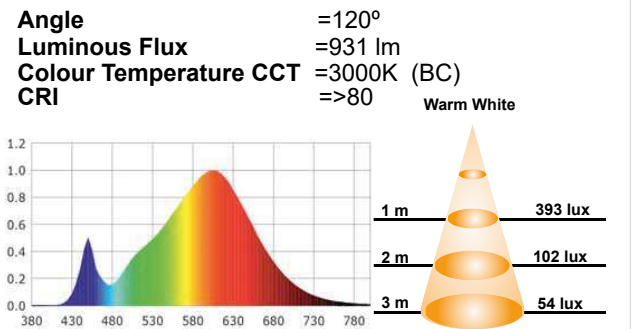
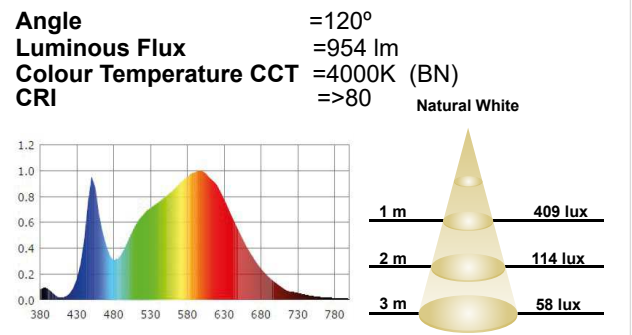
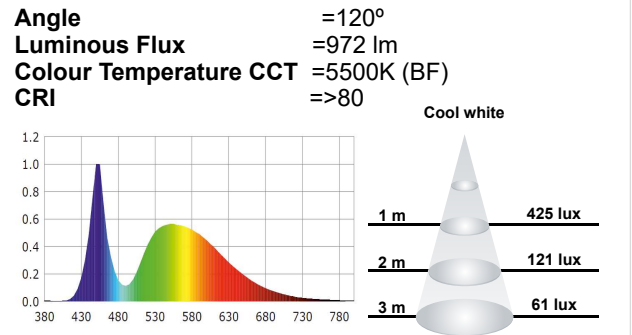
Photometric data

Measures

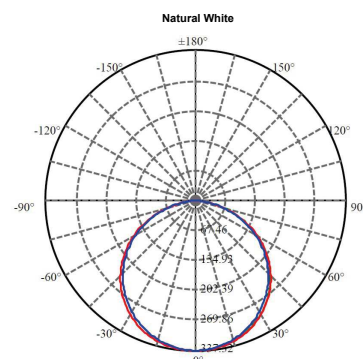


Technical Data

Power supply:	110~240Vac 50-60Hz
Power:	12W
Nº of LEDs:	55 chips SMD 2835
Power factor:	>0.50
Luminous efficiency:	81 lm/w
LED power:	0.21W
Luminous flux:	972 lm (BF) 954 lm (BN) 931 lm (BC)
Luminous intensity:	337cd
IP Code:	IP20
Operating temperature:	-10°C +40°C
Nº of switching:	15.000
Certifications:	CE, RoHS
Energy Efficiency:	A+
Lifespan:	30.000h (L70:B10)
Dimming:	Yes, (Optional DM250-700mA)
Weight:	390 grammes



Luminous Intensity Distribution Curve



Chip used

EPISTAR



ThreeLine
TECHNOLOGY