

## CEL12W

12W Round ceiling LED light

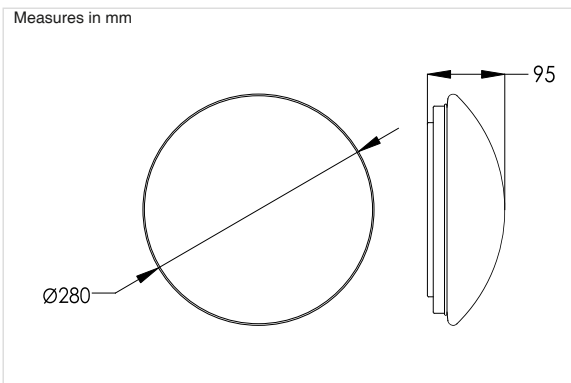
Opciones:



### Product



### Measures

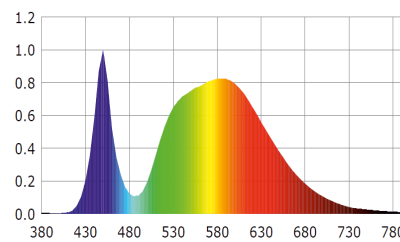


### Technical Data

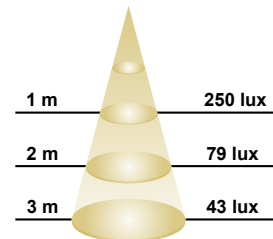
Power supply:	220~240Vac 50/60Hz
Power:	12W
Nº of LEDs:	60 chips SMD2835
Power factor:	>0.90
Luminous efficiency:	85 lm/w
LED power:	0,20W
Luminous flux:	1020lm (BN)
Luminous intensity:	267cd
IP Code:	IP44
Operating Temperature:	-10°C +40°C
Nº of switching:	15.000
Certifications:	CE, RoHS
Energy Efficiency:	A+
Lifespan:	30.000h (L70:B10)
Weight:	440 gramos
Optional:	Emergency kit, <b>CEL12KE</b> Motion Sensor, <b>CEL12SP</b>

### Photometric data

Angle =120°  
Luminous Flux =1020 lm  
Colour Temperature CCT =4000K (BN)  
CRI =>80

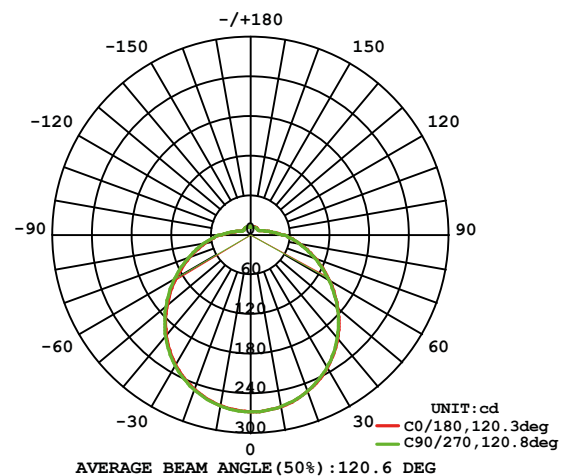


Natural White



Luminous Intensity Distribution Curve

Natural White



Chip used

**EPISTAR**



ThreeLine  
TECHNOLOGY