

AE-VC583I-IS/P(V)/(H) Mobile ANPR Camera



- 1/2.7" Progressive Scan CMOS
- 4mm/6mm/8mm/12mm/16mm fixed lens
- High quality imaging with 5 MP resolution
- Clear imaging against strong back light due to 120 dB true WDR technology
- Efficient H.265+ compression technology
- Water and dust resistant (IP68 & IP69K) and vandal proof (IK10)
- Advanced streaming technology that enables smooth live view and data self-correcting in poor network
- 3DNR technology delivers clean and sharp images
- The network camera can identify license plates in the Asia-Pacific region, the Middle East, Europe, Africa and the Americas

▪ Specification

Camera	
Image Sensor	1/2.7" Progressive Scan CMOS
Min. Illumination	Color: 0.01 Lux @ (F1.6, AGC ON), 0 Lux with IR
Resolution	5MP
Slow Shutter	Not supported
P/N	P/N
Day & Night	IR cut filter
Angle Adjustment	Tilt: -25° to +55°
Power-off Memory	Yes
Lens	
Focal Length & FOV	4mm/6mm/8mm/12mm/16mm fixed lens 4mm:Horizontal FOV 78°, vertical FOV 55°, diagonal FOV 105° 6mm:Horizontal FOV 49°, vertical FOV 35°, diagonal FOV 63° 8mm:Horizontal FOV 37°, vertical FOV 28°, diagonal FOV 46° 12mm:Horizontal FOV 28°, vertical FOV 10°, diagonal FOV 30° 16mm:Horizontal FOV 17°, vertical FOV 13°, diagonal FOV 22°
Lens Mount	M12
Max. Aperture	F1.6
Illuminator	
IR Wavelength	850 nm
IR Range	Up to 20 m IR range
Video	
Max. Resolution	2560 × 1920
Main Stream	50Hz: 25fps (2560 × 1920, 1920 × 1080, 1280 × 720); 60Hz: 30fps (2560 × 1920, 1920 × 1080, 1280 × 720)
Sub-Stream	50Hz: 25fps (704 × 576, 640 × 480) ;60Hz: 30fps (704 × 480, 640 × 480)
Third Stream	50Hz: 25fps (1280 × 720)
Video Compression	Main stream: H.265/ H.264/Smart265/Smart264 Sub stream: H.265/H.264/Smart265/Smart264 Third stream: H.265/H.264/Smart265/Smart264
Video Bit Rate	First stream: 512 bps-16384 bps Second stream: 256 bps-4096 bps Third stream: 256 bps-4096 bps
H.264 Type	Baseline Profile/Main Profile/High Profile
H.265 Type	Main Profile
Bit Rate Control	Constant Bit Rate, Variable Bit Rate
Network	
Protocols	TCP/IP, ICMP, HTTP, HTTPS, FTP, DHCP, DNS, DDNS, RTP, RTSP, NTP, IGMP, QoS, UDP,

Headquarters

No.555 Qianmo Road, Binjiang District,
Hangzhou 310051, China
T +86-571-8807-5998
www.hikvision.com



Follow us on social media to get the latest product and solution information.



Hikvision



HikvisionHQ



HikvisionHQ



Hikvision_Global



Hikvision
Corporate Channel



hikvisionhq

Simultaneous Live View	Up to 10 channels
API	ONVIF (PROFILE S), ISAPI, SDK,
Security	Password protection, complicated password, HTTPS encryption, IP address filter, basic and digest authentication for HTTP/HTTPS
Web Browser	IE10+, Chrome45+,Edge41+,Firefox45+ (image download only available on IE)
Image	
Wide Dynamic Range (WDR)	120 dB
Image Settings	Saturation, brightness, contrast, sharpness are adjustable by client software or web browser
Day/Night Switch	Day/Night/Auto/Schedule
Image Enhancement	BLC, 2DNR,3DNR
Interface	
Local Storage	eMMC 8GB
Communication Interface	RJ45: 1 RJ45 10M/100M Ethernet port, 1Φ5.5mm coaxial power plug,1 alarm in,1 alarm out; 4pin: M12-D aviation plug, 1 molex power plug,1 alarm in,1 alarm out; 6pin: 6pin aviation plug for power supply,1 alarm in,1 alarm out;
General	
Product Dimension	Camera: 113 mm × 72 mm × 68 mm (4.45" × 2.83" × 2.68")
Protection	IP68(IEC 60529-2013), IP69K (ISO 20653: 2013), IK10 (IEC 62262: 2002)
Power Supply	DC:9~36V PoE(802.3af,36-57V)
Power Consumption	9W MAX
Camera Material	Metal
Storage Conditions	-30 °C to +75 °C (-22 °F to +167 °F) , Humidity 95% or less (non-condensing)
Startup and Operating Conditions	-30 °C to +75 °C (-22 °F to +167 °F) , Humidity 95% or less (non-condensing)
Weight	622g±5g
Language	English
General Function	Anti-flicker, heartbeat, mirror, password protection, IP address filter
Approval	
Environment	CE: CE-RoHS(RoHS Directive 2011/65/EU+2015/863) WEEE: 2012/19/EU Reach SVHC: Regulation (EC) No 1907/2006
Electrical Safety Protection	IP68: IEC 60529-2013,IP69K,IK10: IEC 62262:2002
Automotive and Railway	EN50155: EN 50155-2007,EN 50155-2017 EN45545: (EN 45545-2:2013+A1:2015); E-MARK (ECE R10)

Headquarters

No.555 Qianmo Road, Binjiang District,
Hangzhou 310051, China
T +86-571-8807-5998
www.hikvision.com



Follow us on social media to get the latest product and solution information.



EMC	<p>FCC: FCC-SDoC(ANSI C63.4,FCC Part15 sub B)</p> <p>CE: CE-EMC(EN 55024:2010 +A1:2015,EN 55032:2015,EN 61000-3-2:2014,EN 61000-3-3:2013)</p> <p>RCM: AS/NZS 60950.1:2003 + Am1, Am2 and Am3,AS/NZS CISPR 32:2015</p> <p>IC: ICES-003 Issue 7:2020</p> <p>KC: KN32:2015,KN35:2015</p>
Safety	<p>CB: IEC 60950-1</p> <p>CE: CE-LVD(EN 60950-1:2006+A11:2009+A1:2010+A12:2011+A2:2013)</p> <p>LOA: SANS IEC60950-1</p> <p>BIS: IS 13252(Part 1)2010+A1:2013+A2:2015</p>

Wiring

Cable Interfaces

Mode	Interface Form	Interface Definition	Interface Illustration
VC583	Alarm	1.ALARM IN 2.GND 3.ALARM OUT 4.GND	
	M12	1.IPC_TX+ 2.IPC_RX+ 3.IPC_TX- 4.IPC_RX-	
	MOLEX	1.IPC_DC12V+ 2.IPC_DC12V-	
	RJ45	1.IPC_RX- 2.IPC_RX+ 3.IPC_TX- 4.POE45- 5.POE45+ 6.IPC_TX+ 7.POE78- 8.POE78+	
	DC	Core:IPC_DC12V+ Shell:IPC_DC12V-	

Available Model

AE-VC583I-IS/P(H)(RJ45)(4mm)

AE-VC583I-IS/P(H)(M12)(8mm)

AE-VC583I-IS/P(V)(RJ45)(12mm)

AE-VC583I-IS/P(H)(RJ45)(8mm)

Headquarters

No.555 Qianmo Road, Binjiang District,
 Hangzhou 310051, China
 T +86-571-8807-5998
 www.hikvision.com

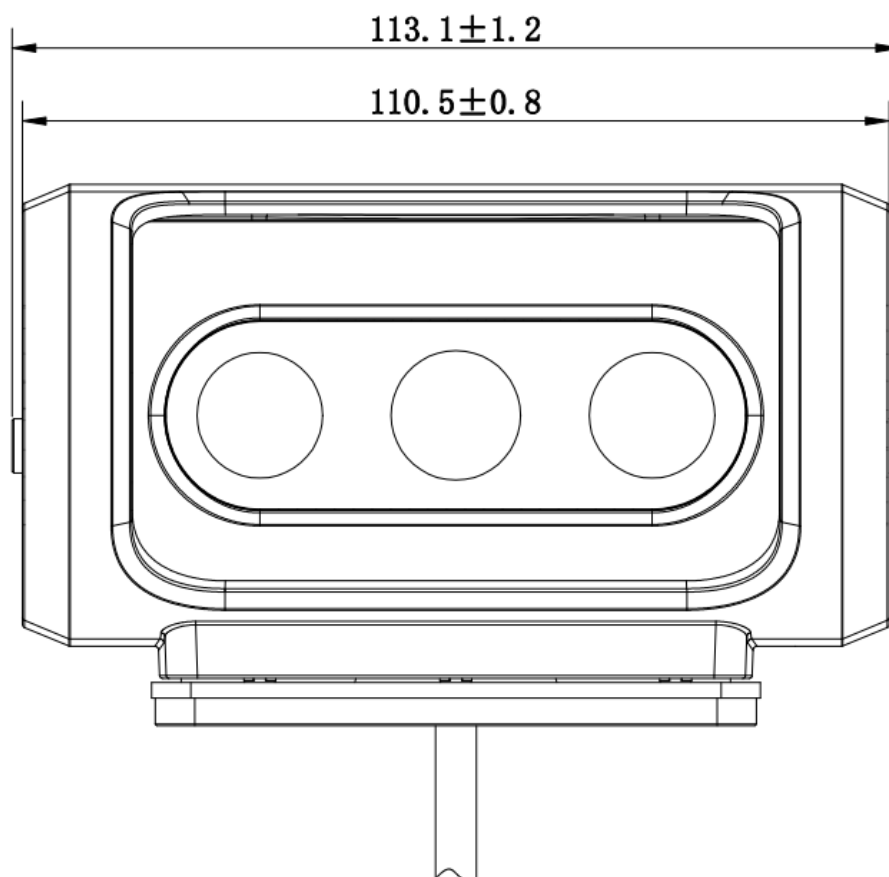


Follow us on social media to get the latest product and solution information.



- AE-VC583I-IS/P(H)(M12)(4mm)
- AE-VC583I-IS/P(V)(RJ45)(8mm)
- AE-VC583I-IS/P(H)(RJ45)(6mm)
- AE-VC583I-IS/P(V)(RJ45)(16mm)
- AE-VC583I-IS/P(H)(M12)(12mm)
- AE-VC583I-IS/P(H)(RJ45)(12mm)
- AE-VC583I-IS/P(V)(M12)(12mm)
- AE-VC583I-IS/P(V)(M12)(8mm)
- AE-VC583I-IS/P(V)(M12)(16mm)

▪ **Dimension**



Headquarters

No.555 Qianmo Road, Binjiang District,
Hangzhou 310051, China
T +86-571-8807-5998
www.hikvision.com



Follow us on social media to get the latest product and solution information.



Hikvision



HikvisionHQ



HikvisionHQ



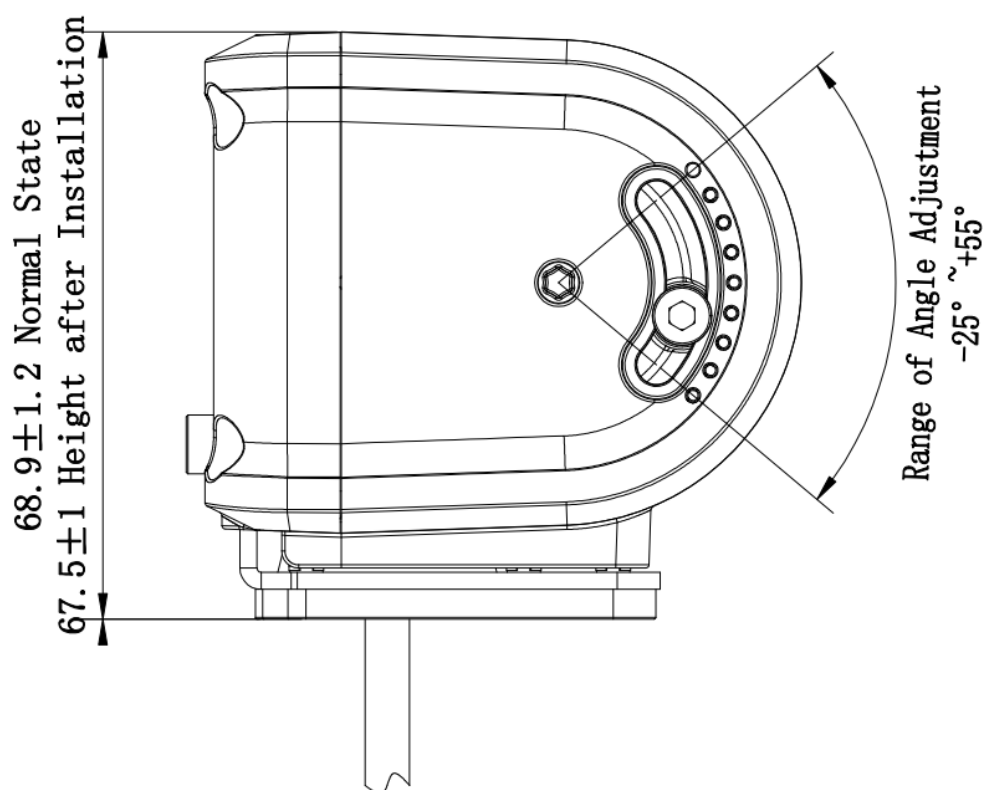
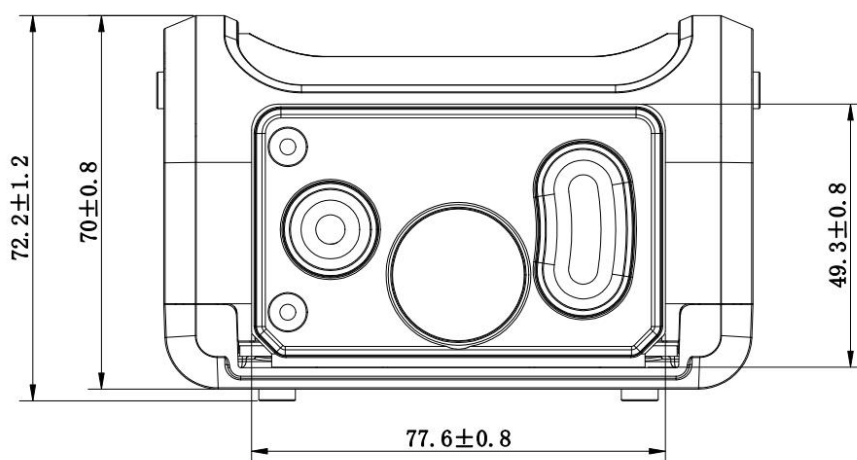
Hikvision_Global



Hikvision
Corporate Channel



hikvisionhq



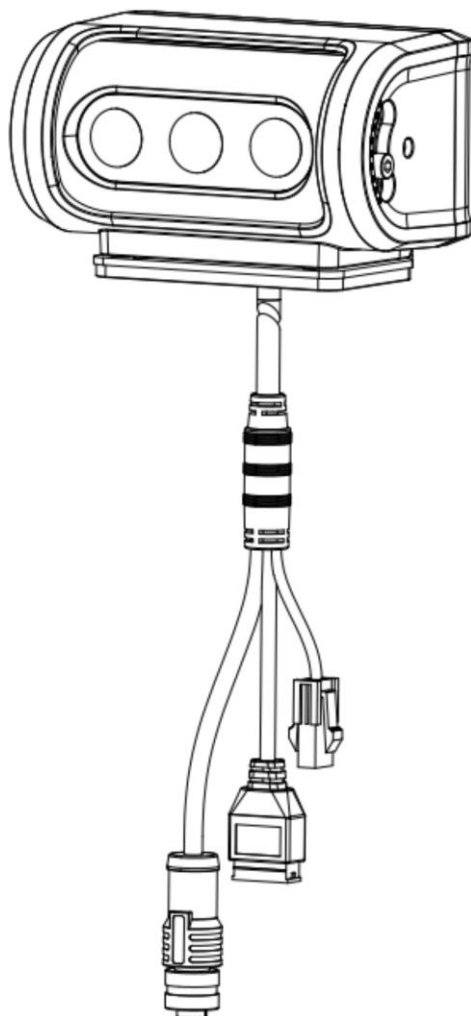
Headquarters

No.555 Qianmo Road, Binjiang District,
Hangzhou 310051, China
T +86-571-8807-5998
www.hikvision.com



Follow us on social media to get the latest product and solution information.





-6pin: 6pin aviation plug for power supply

Headquarters

No.555 Qianmo Road, Binjiang District,
Hangzhou 310051, China
T +86-571-8807-5998
www.hikvision.com



Follow us on social media to get the latest product and solution information.



Hikvision



HikvisionHQ



HikvisionHQ



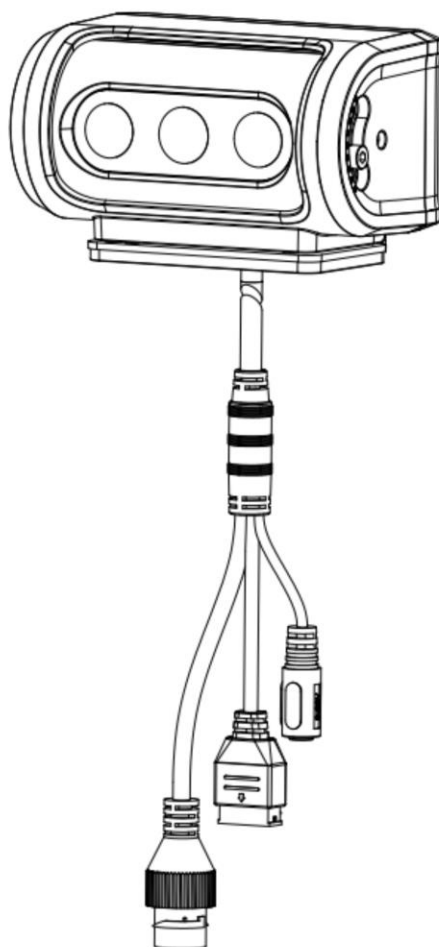
Hikvision_Global



Hikvision
Corporate Channel



hikvisionhq



-RJ45: 1 RJ45 10M/100M Ethernet port,
1Φ5.5mm coaxial power plug

Headquarters

No.555 Qianmo Road, Binjiang District,
Hangzhou 310051, China
T +86-571-8807-5998
www.hikvision.com



Follow us on social media to get the latest product and solution information.



Hikvision



HikvisionHQ



HikvisionHQ



Hikvision_Global

Hikvision
Corporate Channel

hikvisionhq