

AE-VC222T-ITS

Key Feature

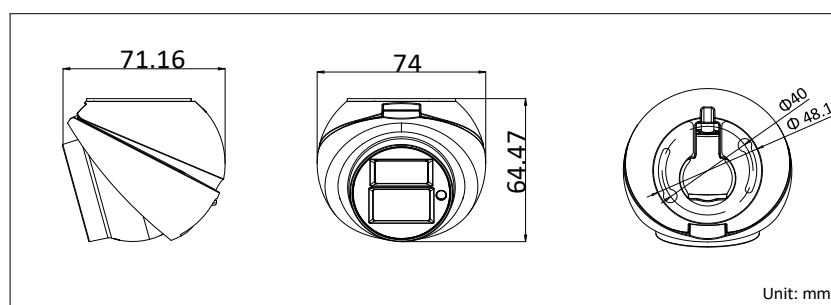
- Adopts progressive scan CMOS to prevent motion image aliasing
- Supports HD coaxial output with the resolution 1080p
- Min. illumination: 0.1 Lux @(F1.2, AGC ON), 0 Lux with IR
- Supports auto day & night switch
- Adopts auto electronic shutter to adapt to different environment
- Support auto gain control and self-adaption to light
- Adopts built-in mic and supports audio input
- Shock-proof design and aviation output plug



Available Model

AE-VC222T-ITS

Dimension



Specification

Camera	
Image Sensor	Progressive Scan CMOS
Min. Illumination	0.1 Lux @ (F1.2, AGC ON), 0 Lux with IR
Shutter Time	1/25 s to 1/50,000 s
FOV	2.1 mm, horizontal FOV 117°, vertical FOV 66°, diagonal FOV 143° 2.8 mm, horizontal FOV 96°, vertical FOV 51°, diagonal FOV 115° 3.6 mm, horizontal FOV 75°, vertical FOV 44°, diagonal FOV 90°
Lens Mount	M12
Angle	Horizontal: 0 to 60°, vertical: 0 to 50°, rotate: 0 to 360°
Day & Night	Electronic
Frame Rate	1080P @25fps
Synchronization	Internal
S/N Ratio	42 dB
Interface	
Video Output	1, Vp-p Composite Output (aviation plug)
Audio Input	Build-in MIC
Audio Output	1, aviation plug (linear resistance: 1 kΩ)
Aviation Pin Order	1: Video, 2: Video grounding, 3: Power, 4: Ground
General	
Working Temperature	-40 °C to 75 °C (-40 °F to 167 °F)
Working Humidity	≤ 90%
Power Supply	9 to 16 V DC
Power Consumption	Max. 2.2 W
IR Distance	10 m
Dimension	74 mm × 64.5 mm × 71.1 mm (2.9" × 2.5" × 2.8")
Weight	200 g (0.44 lb.)

Headquarters

No.555 Qianmo Road, Binjiang District,
Hangzhou 310051, China
T +86-571-8807-5998
overseasbusiness@hikvision.com

Hikvision USA
T +1-909-895-0400
sales.usa@hikvision.com

Hikvision Australia
T +61-2-8599-4233
salesau@hikvision.com

Hikvision India
T +91-22-28469900
sales@pramahikvision.com

Hikvision Canada
T +1-866-200-6690
sales.canada@hikvision.com

Hikvision Thailand
T +662-275-9949
sales.thailand@hikvision.com

Hikvision Europe
T +31-23-5542770
sales.eu@hikvision.com

Hikvision Italy
T +39-0438-6902
info.it@hikvision.com

Hikvision Brazil
T +55 11 3318-0050
Latam.support@hikvision.com

Hikvision Turkey
T +90 (216)521 7070- 7074
sales.tr@hikvision.com

Hikvision Malaysia
T +601-7652-2413
sales.my@hikvision.com

Hikvision UK & Ireland
T +01628-902140
sales.uk@hikvision.com

Hikvision South Africa
Tel: +27 (10) 0351172
sale.africa@hikvision.com

Hikvision France
T +33(0)1-85-330-450
info.fr@hikvision.com

Hikvision Kazakhstan
T +7-727-9730667
nikia.panfilov@hikvision.ru

Hikvision Vietnam
T +84-974270888
sales.vt@hikvision.com

Hikvision UAE
T +971-4-4432090
salesme@hikvision.com

Hikvision Singapore
T +65-6684-4718
sg@hikvision.com

Hikvision Spain
T +34-91-737-16-55
info.es@hikvision.com

Hikvision Tashkent
T +99-87-1238-9438
uzb@hikvision.ru

Hikvision Hong Kong
T +852-2151-1761
info.hk@hikvision.com

Hikvision Russia
T +7-495-669-67-99
saleru@hikvision.com

Hikvision Korea
T +82-(0)31-731-8817
sales.korea@hikvision.com

Hikvision Poland
T +48-22-460-01-50
info.pl@hikvision.com

Hikvision Indonesia
T +62-21-2933759
Sales.Indonesia@hikvision.com

Hikvision Colombia
sales.colombia@hikvision.com