

## AE-MD5043 Series Mobile Video Recorder

AE-MD5043 series DVR is a professional solution to vehicle video and audio management with built-in Linux operating system. It supports input of HDTVI, AHD and CVBS cameras in HIK-wiring-sequence and CVBS video and audio output, featuring HD encoding/decoding, transmission based on 4G wireless network, satellite positioning, secure data storage, HDD vibration absorber, alarm input/output, driving information collecting and ports added for peripheral devices. It provides camera selection and coding solutions specialized in video and audio recording management for public transports, school buses, taxis, learner-driven vehicles, trucks, etc. The product also supports extended features like Abnormal Detection, which can improve traffic security and reduce the vehicle accident.



### ▪ Application

The anti-corrosion performance level of AE-MD5043 series DVR is standard. It is suitable for regular scenarios only and might be damaged when exposed to corrosive environment.

Description of anti-corrosion performance level:

Anti-corrosion Performance	Application
Professional	Coastal areas, wharfs, ports, ships and chemical factories, etc.
High	Areas exposed to acid rain; areas over 1.24 miles (1 km) away from the coastline
Standard	Regular environment with little corrosion exposure

### ▪ Key Feature

- Access of 4 HD TVI cameras with up to 1080p resolution.
- Pluggable dummy HDD for HDD with up to 2 TB capacity.
- User-friendly GUI providing easy and flexible operations.
- Pluggable 4G module and Wi-Fi module providing flexible data transmission solutions.
- Built-in GPS module precisely positioning the vehicle via the satellite and recording the location information in the video stream.
- Information collection interfaces collecting driving information such as left/right turn, braking, reversing, etc.
- Specialized aviation connectors ensuring signal stability.
- Shutdown delay (0 h to 6 h) and 24-hour scheduled startup/shutdown.
- Build-in super-capacitor prevents the mobile DVR from damage caused by sudden power outage.
- Wide-range power input (+9 VDC to +36 VDC).
- Power-off protection prevents key data loss.
- Aluminum die-cast chassis with no fan design well adaptable to working environment.
- Software-based firewall supported.
- Support accessing via WEB browser.
- Support Abnormal Detection.
- Support recording backup on redundant HDD/SSDs.
- Support AI feature: ADAS, BSD-R and DSM. (Choose two out of three)



## ▪ Specification

Model		AE-MD5043
Video/Audio Input	Analog Camera	4-ch HIK wiring sequence analog camera, Max. 1080P
	Two-way Audio	1, integrated in EXT.DEV interface
Video/Audio Output	Video Output	Main output: 1, integrated in EXT.DEV interface VGA: 1
	Audio Output	1
Encoding/Decoding Parameters	Video Compression	H.264/H.265
	Encoding Resolution	Main stream: 1080p/720p/WD1/4CIF Sub-stream: 720P/WD1/4CIF/2CIF/CIF
	Frame Rate	PAL: 1 to 25 fps; NTSC: 1 to 30 fps
	Audio Compression	G.711a/G.711u/G.722.1/G.726
	Stream Type	Video, video & audio
	Audio Bitrate	16 Kbps
	Dual Stream	Supported
Storage	HDD/SSD	2 × 2.5 inch HDD/SSD, up to 2 TB for each HDD/SSD HDD/SSD data can be exported locally via this converter (optional) (A dummy HDD with 2 HDD/SSDs can be extended; Not for baseline. Note the SD card capacity when ordering)
	SD Card	1 × SD card, up to 256 GB (not for baseline. Note the SD card capacity when ordering)
Wireless Network	4G Dialing	1 × 4G card slot, 1 × FAKRA antenna
	Available Module	5G module(optional)
	Wi-Fi	WI58 model: 2 × 5.8 G Wi-Fi SMA antenna (Optional. 802.11B/G/N and 802.11AC are selectable. 1 antenna is needed for 802.11B/G/N module. 2 antennas are needed for 802.11AC module.)
Positioning	GNSS (Global Navigation Satellite System)	GPS (Global Positioning System) & GLONASS (Global Navigation Satellite System), 1 × FAKRA antenna
External Interface	Network Interface	<ul style="list-style-type: none"> <li>● Front panel :1 × 10M/100M RJ45</li> <li>● Rear panel: 1 × 10M/100M M12 6-pin aviation connector</li> </ul> <i>Note: The front and rear network ports are at different network segments and the 6-pin aviation network cable female head to RJ45 is optional.</i>
	Serial Port	2 × RS-232( <i>harness is optional</i> ), 1 × RS-422 (integrated in EXT.DEV interface)
	USB Interface	<ul style="list-style-type: none"> <li>● Front panel: 1 × USB 2.0</li> <li>● Rear panel: 1 × USB 2.0 (5-pin aviation connector)</li> </ul>
	Sensor-in	4 high/low level signal inputs
	Alarm Input	4 high/low level signal inputs, 1 pulse signal input, 1 BUTTON input
	Alarm Output	2 relay signal outputs
General	Operating Method	Mouse, IR remote control, Web control, and touchscreen
	AI Function	ADAS, BSD-R and DSM. (Choose two out of three)
	G-sensor	Built-in
	Remote Control	Optional
	Power Supply	+9 to +36 VDC
Consumption	<ul style="list-style-type: none"> <li>● Standby: ≤ 0.5 W</li> </ul>	

	<ul style="list-style-type: none"> <li>● Full load: ≤ 45 W</li> <li>Note: Without peripheral and storage media ≤ 20 W</li> </ul>
Working Temperature	-10 °C to +60 °C (+14 °F to +140°F)
Working Humidity	10% to 95%
Device Dimension (W × D × H)	206 × 225.4 × 60.1 mm (8.1 × 8.87 × 2.37 inch)
Device Weight (Without Storage Media)	1.7 kg (3.75 lb)
Certification	CE/FCC/Emark/EN50155/CB/EN45545/ROHS2.0/ISO-7637-2

## ▪ Available Model

AE-MD5043

AE-MD5043 + AE-MP1460/GLF/S, (supports 4G dialing),

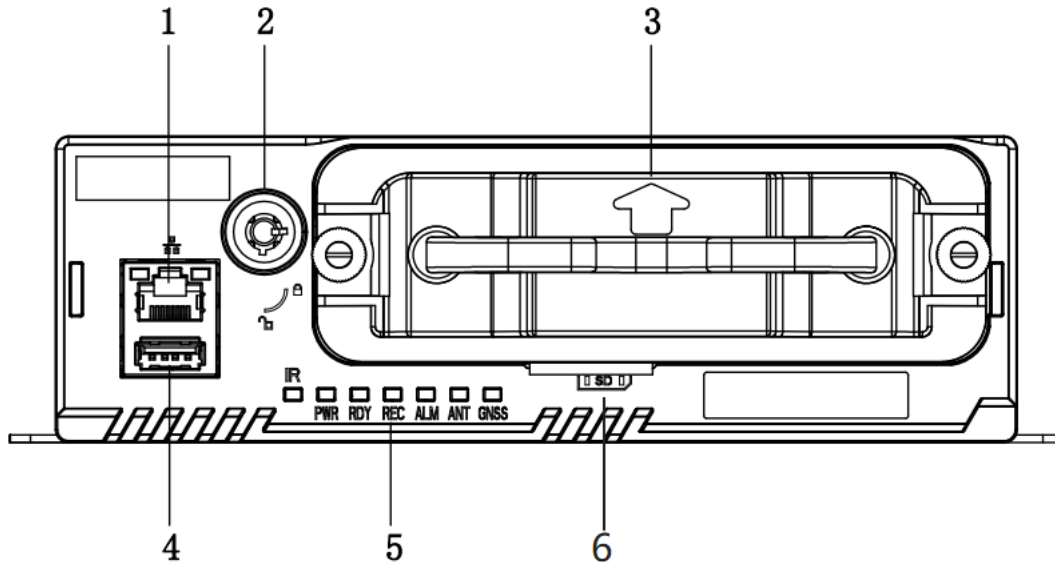
AE-MD5043 + AE-MP1460/GLF/WI58/S, (supports 4G dialing and 5.8G Wi-Fi)

AE-MD5043 + AE-MP1460/GLF/WI/S, (supports 4G dialing and 2.4G Wi-Fi)

\* 4G and Wi-Fi functions are supported only when AE-MP1460 Mobile Wireless Component is equipped with AE-MD5043.

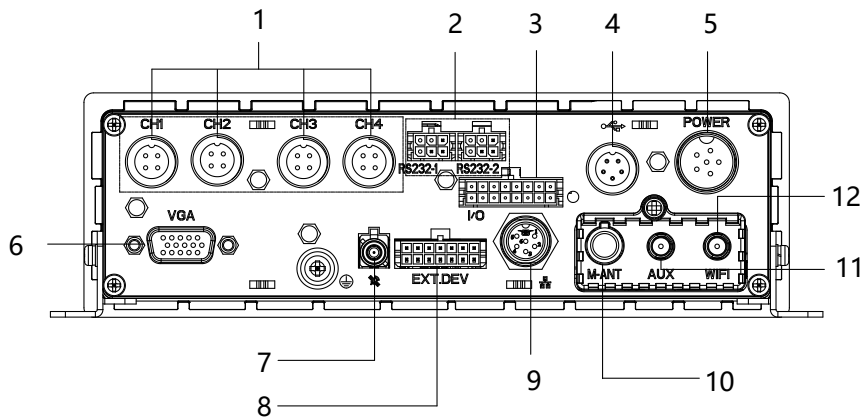
## ▪ Physical Interface

### ▪ Front Panel



No.	Name	No.	Name
1	RJ45 interface	4	USB 2.0 interface
2	Dummy HDD/SSD lock	5	PWR: Power indicator RDY: Ready indicator REC: Record indicator ALM: Alarm indicator ANT: Dialing indicator GNSS: Positioning indicator
3	Dummy HDD/SSD	6	SD card slot

▪ Rear Panel

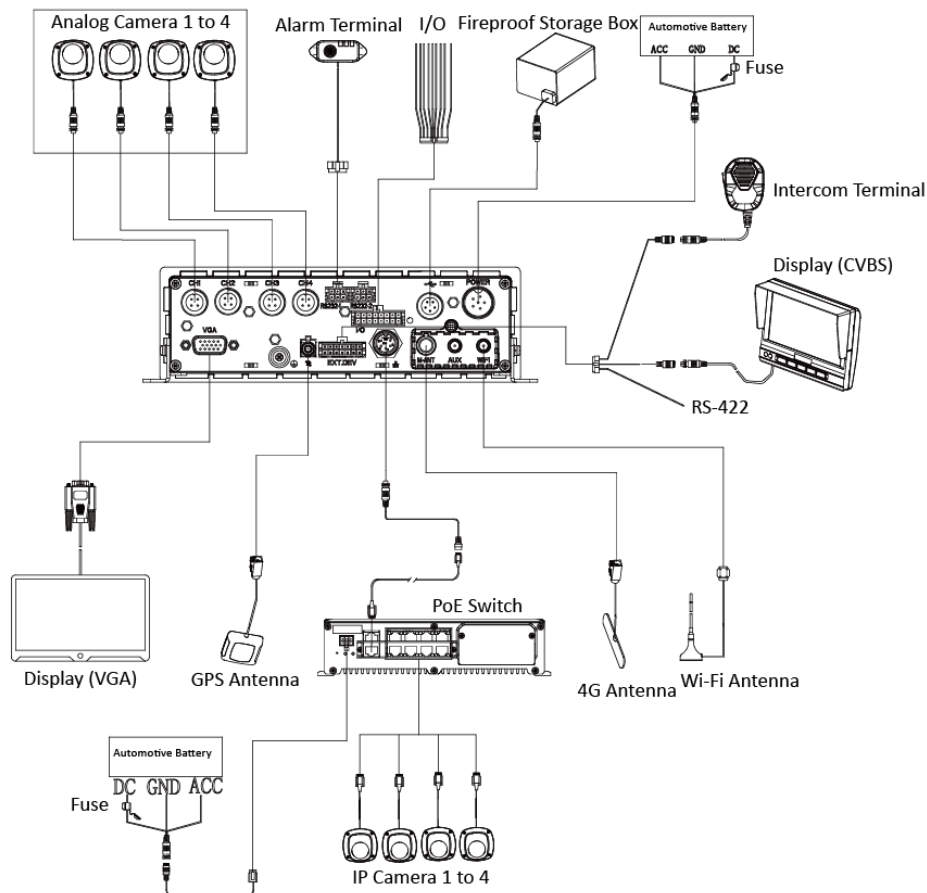


No.	Name	No.	Name
1	Analog camera input	7	GNSS antenna interface
2	RS-232 interface	8	RS-422 communication interface, two-way audio interface, and CVBS video output
3	Alarm in, alarm out, and sensor-in	9	Network interface
4	USB 2.0 of 5-pin aviation connector	10	4G dialing antenna interface
5	Power supply	11	Auxiliary Wi-Fi antenna interface
6	VGA video output interface	12	Wi-Fi antenna interface

▪ Packing List

Description	Quantity	Picture
Fuse	2	
Power cord	1	
Key	1	
Alarm line	1	
Extension cable	1	
GPS antenna	1	

## Peripheral Connection



Distributed by



# HIKVISION®

### Headquarters

No.555 Qianmo Road, Binjiang District,  
Hangzhou 310051, China  
T +86-571-8807-5998  
overseasbusiness@hikvision.com

**Hikvision USA**  
T +1-909-895-0400  
sales.usa@hikvision.com

**Hikvision Australia**  
T +61-2-8599-4233  
salesau@hikvision.com

**Hikvision India**  
T +91-22-28469900  
sales@pramahikvision.com

**Hikvision Canada**  
T +1-866-200-6690  
sales.canada@hikvision.com

**Hikvision Thailand**  
T +662-275-9949  
sales.thailand@hikvision.com

**Hikvision Europe**  
T +31-23-5542770  
sales.eu@hikvision.com

**Hikvision Italy**  
T +39-0438-6902  
info.it@hikvision.com

**Hikvision Brazil**  
T +55 11 3318-0050  
Latam.support@hikvision.com

**Hikvision Turkey**  
T +90 (216)521 7070- 7074  
sales.tr@hikvision.com

**Hikvision Malaysia**  
T +601-7652-2413  
sales.my@hikvision.com

**Hikvision UK & Ireland**  
T +01628-902140  
sales.uk@hikvision.com

**Hikvision South Africa**  
Tel: +27 (10) 0351172  
sale.africa@hikvision.com

**Hikvision France**  
T +33(0)1-85-330-450  
info.fr@hikvision.com

**Hikvision Kazakhstan**  
T +7-727-9730667  
nikia.panfilov@hikvision.ru

**Hikvision Vietnam**  
T +84-974270888  
sales.vt@hikvision.com

**Hikvision UAE**  
T +971-4-4432090  
salesme@hikvision.com

**Hikvision Singapore**  
T +65-6684-4718  
sg@hikvision.com

**Hikvision Spain**  
T +34-91-737-16-55  
info.es@hikvision.com

**Hikvision Tashkent**  
T +99-87-1238-9438  
uzb@hikvision.ru

**Hikvision Hong Kong**  
T +852-2151-1761  
info.hk@hikvision.com

**Hikvision Russia**  
T +7-495-669-67-99  
saleru@hikvision.com

**Hikvision Korea**  
T +82-(0)31-731-8817  
sales.korea@hikvision.com

**Hikvision Poland**  
T +48-22-460-01-50  
info.pl@hikvision.com

**Hikvision Indonesia**  
T +62-21-2933759  
Sales.Indonesia@hikvision.com

**Hikvision Colombia**  
sales.colombia@hikvision.com