

DC-V4211XJ-4.3mm

- Easy Installation with DirectIP NVR
- Full HD (1080p) Resolution
- Fixed-focal Lens (f = 4.3 mm)
- micro SD / SDHC / SDXC
- Two-way Audio
- Alarm In / Out
- PoE (IEEE 802.3af Class 4)
- True Wide Dynamic Range (WDR)
- Supports ONVIF



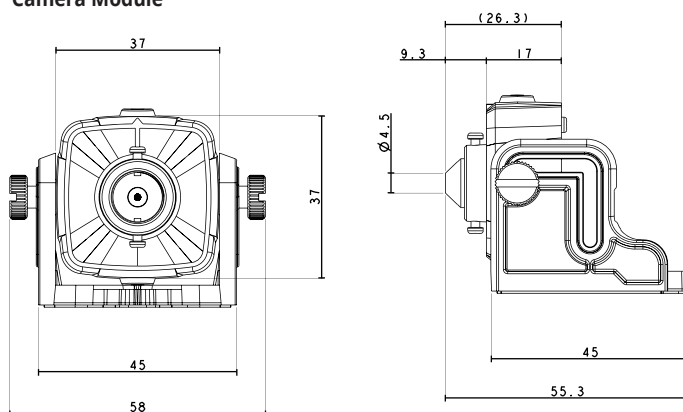
SPECIFICATIONS

VIDEO	
Image Sensor	1/2.8" SONY CMOS Sensor
Max. Resolution	1920 x 1080
Scanning Mode	Progressive Scan
Lens Type	Fixed-focal Board type
Focal Length	f = 4.3 mm
Aperture	F = 2.0
Iris Control	Fixed IRIS
Angular Field of View	80.8° (H), 42.8° (V), 95° (D)
Connector for Camera Module	RJ45
Cable Length for Camera Module	30 m
Min. Illumination	Color : 0.1 Lux B/W : 0.08 Lux
Dynamic Range	120 dB (True WDR)
Day and Night	Electrical
IR Distance (LEDs)	-
Image Setting	Brightness, White Balance, Sharpness
Digital Noise Reduction	Low / Normal / High
Backlight Compensation	OFF / BLC / HLC / WDR
Mirroring / Pivot	Horizontal / Vertical / Pivot
De-fog	-
Privacy Masking	8 Zones
Intelligent Video	Video Motion Detection, Active Tampering Alarm, Trip Zone
Video Out	-
NETWORK	
Video Compression	H.264 (MP), M-JPEG, H.265
Intelligent Codec	Supported
Bitrate Control	H.264 - CBR / VBR, H.265 - CBR / VBR
Audio Compression	G.726, G.711 u-Law, G.711 a-Law
Two-way Audio	Yes
IP Camera Protocol	DirectIP 2.0, ONVIF
Max. Frame Rate	30fps : 1920 x 1080 (WDR)
Supported Resolution	1920 x 1080, 1280 x 720, 704 x 480, 640 x 360, 352 x 240
Multi-video Streaming	Quadruple Streaming
Network Protocols	DirectIP 2.0 Protocol, IPv4, RTP/RTSP/TCP, RTP/RTSP/HTTP/TCP, RTP/UDP RTSP/TCP, HTTP, HTTPS, FTP, SNTp, SMTP, FEN, mDNS, Upnp
Security	SSL Encryption, Multi-user Authority, IEEE 802.1x IP Filtering, HTTPS, SSL Encryption
Remote Access Client	DirectIP NVR Connection, IDIS Web, IDIS Mobile, IDIS Solution Suite
Ethernet	RJ45 (10/100BASE-T)
Recording Session Buffer (NLTsrec)	Yes (Up to 60MB)
Edge Storage	Micro SD/SDHC/SDXC, Smart Failover (Up to 256GB)
ALARM AND EVENT	
Trigger Event	Motion Detection, Alarm in, Audio detection, Tampering, Trip Zone
Event Notification	Remote S/W, Email (with Image)
Audio In / Out	1 / 1
Alarm In / Out	1 / 1
ENVIRONMENTAL	
Vandal Proof Casing	-
Outdoor Ready	-
Operating Temperature	-10°C ~ +50°C (+14°F ~ +122°F) *Starting Up at Above 0°C (32°F)
Operating Humidity	0% ~ 90%
ELECTRICAL	
Power Source	12VDC, PoE IEEE 802.3at (Class 4)
Power Consumption	12V=, 0.49A, 5.88W PoE, IEEE 802.3at(Class 4), 7.1W
Approvals	FCC, CE, KC
MECHANICAL	
Dimensions - Main module	153 mm x 36.5 mm x 132.7 mm (6.02" x 1.44" x 5.22")
Dimensions - Camera module	Body Only : 37(W) x 37(H) x 30.5(D) mm With Bracket : 58(W) x 45(H) x 59.3(D) mm
Weight	1 kg (2.2 lb)

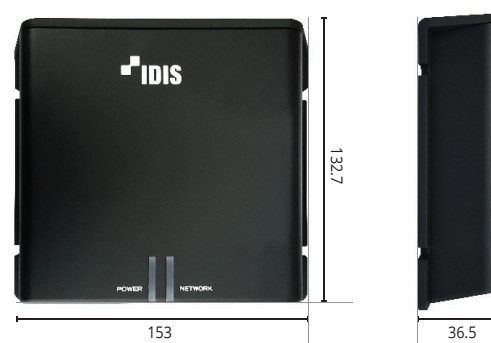
DIMENSIONS

(Unit - mm)

Camera Module



Main Module



- ① Earth
- ② Power In Port (12V)
- ③ LAN / PoE Ports
- ④ Micro SD
- ⑤ Video In
- ⑥ Alarm Connection Ports