

HWI-B420H 2MP IR Bullet Network Camera



- High quality imaging with 2 MP resolution
- Clear imaging against strong back light due to DWDR technology
- Efficient H.265+ compression technology
- Water and dustresistant (IP67)
- Easy installation with Power over Ethernet (PoE) technology
- 3D DNR technology delivers clean and sharp images



▪ Specification

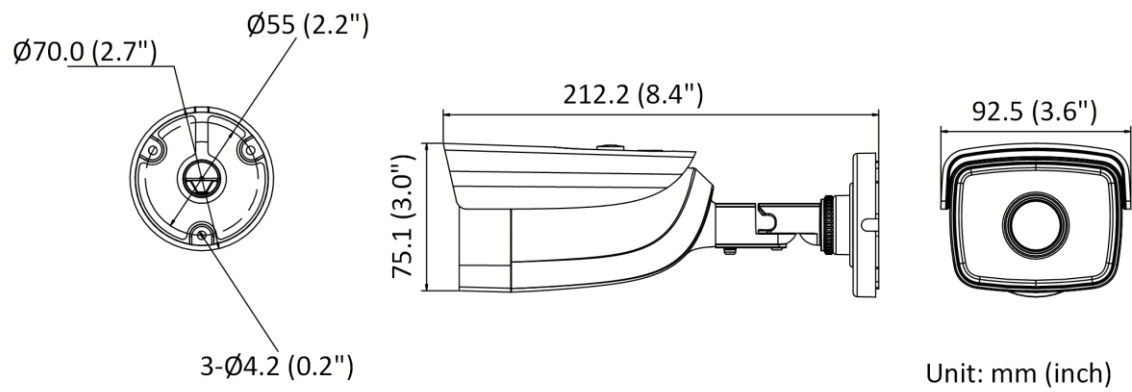
Camera	
Image Sensor	1/2.8" Progressive Scan CMOS
Min. Illumination	Color: 0.028 Lux @ (F2.0, AGC ON), 0 Lux with IR
Shutter Speed	1/3 s to 1/100,000 s
Slow Shutter	Yes
Wide Dynamic Range	Digital WDR
Day & Night	ICR Cut
Angle Adjustment	Pan: 0° to 360°, tilt: 0° to 180°, rotate: 0° to 360°
Linkage Method	Upload to FTP, notify surveillance center, send email, trigger capture
Lens	
Lens Type & FOV	4 mm, horizontal FOV 86°, vertical FOV 47°, diagonal FOV 103° 6 mm, horizontal FOV 54°, vertical FOV 31°, diagonal FOV 63°
Aperture	F2.0
Lens Mount	M12
Illuminator	
Wavelength	850 nm
IR Range	50 m
Smart Supplement Light	Yes
Video	
Region of Interest (ROI)	1 fixed region for main stream and sub-stream
Stream Type	Main stream/sub-stream
H.264 Type	Baseline Profile/Main Profile/High Profile
H.265 Type	Main Profile
Max. Resolution	1920 × 1080
Main Stream	50Hz: 25 fps (1920 × 1080, 1280 × 960, 1280 × 720) 60Hz: 30 fps (1920 × 1080, 1280 × 960, 1280 × 720)
Sub-Stream	50Hz: 25 fps (640 × 480, 640 × 360, 320 × 240) 60Hz: 30 fps (640 × 480, 640 × 360, 320 × 240)
Video Compression	Main stream: H.265+/H.265/H.264+/H.264 Sub-stream: H.265/H.264/MJPEG
Video Bit Rate	32 Kbps to 8 Mbps
Network	
Simultaneous Live View	Up to 6 channels
Web Browser	IE8+, Chrome 31.0-44, Firefox 30.0-51, Safari 8.0+
API	Open Network Video Interface (PROFILE S, PROFILE G), ISAPI, SDK
Protocols	TCP/IP, ICMP, HTTP, HTTPS, FTP, DHCP, DNS, RTP, RTSP, RTCP, NTP, IGMP, QoS, UDP
User/Host	Up to 32 users. 3 user levels: administrator, operator and user
Security	Password protection, complicated password, HTTPS encryption, watermark, IP address filter, basic and digest authentication for HTTP/HTTPS, WSSE and digest authentication for Open Network Video Interface, RTP/RTSP OVER HTTPS, Control Timeout Settings, Security Audit Log, TLS 1.2
Client	iVMS-4200, Hik-Connect, Hik-Central

Image	
Day/Night Switch	Day, Night, Auto, Schedule
Image Enhancement	BLC, HLC, 3D DNR
Image Settings	Rotate mode, saturation, brightness, contrast, sharpness, AGC, white balance adjustable by client software or web browser
SNR	> 50 dB
Interface	
Communication Interface	1 RJ45 10M/100M self-adaptive Ethernet port
Intelligent (Traditional Algorithm)	
Basic Event	Motion detection, video tampering alarm, exception (illegal login)
General	
Storage Conditions	-30 °C to 60 °C (-22 °F to 140 °F). Humidity 95% or less (non-condensing)
Power Consumption and Current	12 VDC, 0.40 A, max. 4.8 W PoE (802.3af, 36 V to 57 V), 0.20 A to 0.10 A, max. 6 W
Power Supply	12 VDC ± 25% PoE: 802.3af, Type 1 Class 3, reverse polarity protection
Startup and Operating Conditions	-30 °C to 60 °C (-22 °F to 140 °F). Humidity 95% or less (non-condensing)
Package Dimension	234 × 120 × 117 mm (9.2" × 4.7" × 4.6")
Camera Dimension	75.1 × 92.5 × 212.2 mm (3.0" × 3.6" × 8.4")
Power Interface	Ø5.5 mm coaxial power plug
Material	Front cover & bracket: metal back cover & sun shield: plastic
Camera Weight	Approx. 540 g (1.2 lb.)
With Package Weight	Approx. 810 g (1.8 lb.)
Approval	
EMC	FCC SDoC (47 CFR Part 15, Subpart B); CE-EMC(EN 55032: 2015, EN 61000-3-2: 2019, EN 61000-3-3: 2013, EN 50130-4: 2011 +A1: 2014); RCM (AS/NZS CISPR 32: 2015)
Protection	Ingress protection: IP67 (IEC 60529-2013)
Safety	UL (UL 60950-1); CB (IEC 60950-1:2005 + Am 1:2009 + Am 2:2013); CE-LVD (EN 60950-1:2006 + A11:2009 + A1:2010+A12:2011+A2:2013)
Environment	CE-RoHS (2011/65/EU); WEEE (2012/19/EU); Reach (Regulation (EC) No 1907/2006)

▪ **Available Model**

HWI-B420H (4/6 mm)

▪ **Dimension**

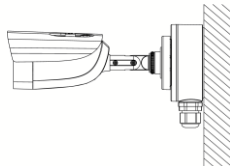


▪ **Accessory**

▪ **Optional**

DS-1280ZJ-XS

Junction Box



Distributed by



HIKVISION®
HiWatch Series

Headquarters

No.555 Qianmo Road, Binjiang District,
Hangzhou 310051, China
T +86-571-8807-5998
overseasbusiness@hikvision.com

Hikvision USA
T +1-909-895-0400
sales.usa@hikvision.com

Hikvision Italy
T +39-0438-6902
info.it@hikvision.com

Hikvision Singapore
T +65-6684-4718
sg@hikvision.com

Hikvision Africa
T +27 (10) 0351172
sale.africa@hikvision.com

Hikvision Europe
T +31-23-55-42-770
info.eu@hikvision.com

Hikvision France
T +33(0)1-85-330-450
info.fr@hikvision.com

Hikvision Oceania
T +61-2-8599-4233
salesau@hikvision.com

Hikvision Hong Kong
T +852-2151-1761

Hikvision Middle East
T +971-4-8816086
salesme@hikvision.com

Hikvision Spain
T +34-91-737-16-55
info.es@hikvision.com

Hikvision Canada
T +1-909-895-0400
sales.usa@hikvision.com

Hikvision Russia
T +7-495-669-67-99
saleru@hikvision.com

Hikvision Poland
T +48-22-460-01-50
poland@hikvision.com

Hikvision Korea
T +82-31-731-8841
sales.korea@hikvision.com

Hikvision India
T +91-22-28469900
sales@pramahikvision.com

Hikvision UK
T +01628-902140
support.uk@hikvision.com

Hikvision Brazil
T +55 11 3318-0050
Latam.support@hikvision.com