

**DS-KV6133-WME1/Flush  
IP Villa Door Station**

- 2 MP camera with IR supplement
- One button calling design for easier calls
- Built-in card reader module
- Standard PoE power supply
- IP65 protection level with aluminum alloy casing
- Call directly to Hik-Connect APP without indoor station

## ▪ Specification

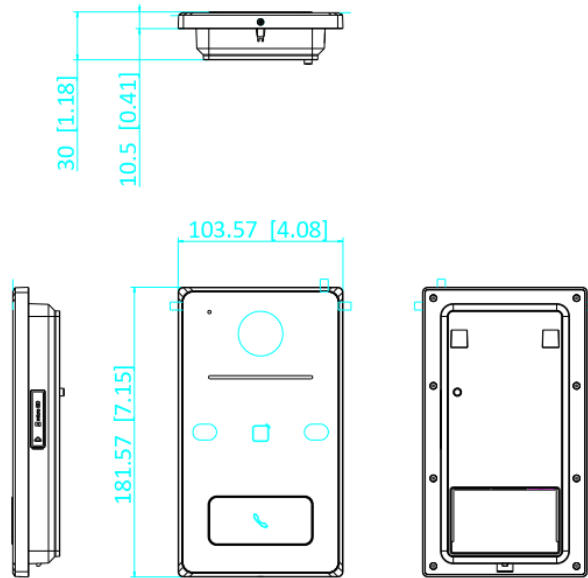
| System parameters          |   |
|----------------------------|---|
| Operation system           | Linux   |
| ROM                        | 32 MB   |
| RAM                        | 256 MB  |
| Processor                  | Embedded high performance processor   |
| Display parameters         |   |
| Screen size                | /   |
| Operation method           | /   |
| Type                       | /   |
| Resolution                 | /   |
| Video parameters           |   |
| Lens                       | 1   |
| Resolution                 | Main stream: 1920 × 1080p, 1280 × 720p<br>Sub stream: 1280 × 720p, 640 × 480p |
| FOV                        | Horizontal:129°,Vertical: 75°   |
| Wide dynamic range (WDR)   | Support 120 dB  |
| Supplement light           | IR light, up to 2.5 m   |
| Video compression standard | H.264   |
| Audio parameters           |   |
| Audio input                | 1 built-in omnidirectional microphone   |
| Audio compression standard | G.711 U、 G.711 A、 Opus、 AAC-LD、 AAC-LC、 G.726、 G.722.1                        |
| Audio output               | 1 built-in loudspeaker  |
| Audio compression bitrate  | 16/32/64 Kps  |
| Audio quality              | Noise suppression and echo cancellation                                       |
| Volume adjustment          | Adjustable  |
| Capacity                   |   |
| User capacity              | 2000  |
| Face capacity              | /   |
| Card capacity              | 10000   |
| Network parameters         |   |
| Network protocol           | TCP/IP, RSTP  |
| Wi-Fi                      | 2.4GHz, IEEE802.11b, IEEE802.11g, IEEE802.11n                                 |
| Bluetooth                  | /   |
| 3G/4G                      | /   |
| Device interfaces          |   |
| Alarm input                | 4   |
| Network interface          | 1 RJ-45, 10/100 Mbps self-adaptive  |
| TAMPER                     | 1   |
| Exit button                | /   |
| RS-485                     | 1   |
| USB                        | /   |
| Wiegand                    | /   |
| TF card                    | 1(Reserved)   |

|                         |   |
|-------------------------|---|
| Alarm output            | /   |
| Lock control            | 1 relay, Max. 30 VDC 2 A  |
| Door contact input      | 1   |
| Audio output            | 1 external loudspeaker(Reversed)  |
| <b>General</b>          |   |
| Button                  | 1 physical button   |
| Installation            | Surface mounting, Flush mounting  |
| Indicator               | 2   |
| Weight                  | Net weight: 0.190 kg Gross weight: 0.414 kg   |
| Protective level        | IP65  |
| Working temperature     | -40 °C to 53 °C (-40 °F to 127.4 °F)  |
| Working humidity        | 10% to 95% (no-condensing)  |
| Dimension (W × H × D)   | 181.6 mm × 103.6 mm × 29.5 mm (7.1" × 4.0" × 1.1")  |
| Battery                 | /   |
| Application environment | Outdoor   |
| Power consumption       | < 10 W  |
| Power supply            | 12 VDC, 1.5 A,IEEE802.3af, Standard PoE   |
| Language                | English, Arabic, French (Europe), Russian, Spanish (Europe), Italian, German, Polish, Turkish, Portuguese, Portuguese (Brazil), Uzbek, Kazakh, Czech, Hungarian, Dutch, Romanian, Bulgarian, Ukrainian, Croatian, Serbian, Greek, Lithuanian, Estonian, Latvian, Norwegian, Danish, Slovenian, Slovak, Hebrew, Swedish, Finnish, Mongolian, Vietnamese, Traditional Chinese |

▪ **Available Model**

DS-KV6133-WME1/Flush

▪ **Dimension**



Unit:mm [inch]

SCALE 1:1

▪ Accessory

▪ Included

**DS-KABV6133-G/**

**Surface  
Gang box**



▪ Optional

**DS-KABV6133-RS**

**Rain shield**



# See Far, Go Further



[www.hikvision.com](http://www.hikvision.com)  
[support@hikvision.com](mailto:support@hikvision.com)

