

**DS-QAZ1610G1-BE**  
**Network Frameless Ceiling Speaker PoE 10W**



- 1\* 1.0-inch tweeter and 1\* 6.5-inch woofer
- Rated Power: 10W
- 89dB Nominal Sensitivity
- 98dB@1m Rated Maximum SPL
- 120 Hz - 20kHz bandwidth
- protocol: ISAPI, ISUP, SIP
- White or black

## ▪ Specification

Protocol	
Network Protocol	IPv4, HTTP, HTTPS, SIP, SSL/TLS, DNS, NTP, TCP, UDP, IGMP, ICMP, DHCP, ARP
Microphone	
Type	MEMS
Amount	2
Frequency Response	100 Hz to 10 kHz
Sensitivity	-38dBV/Pa
Speaker	
Impedance	8Ω
Rated Power	10W
Total Harmonic Distortion (THD)	≤1%
Sensitivity(1 m, 1 W)	89dB
Max. Acoustic Pressure	98dB
Frequency Response	120Hz~20kHz(-10dB)
Speaker Unit	1 × 1.0-inch tweeter and 1 × 6.5-inch woofer
Function	
Audio Algorithm	AEC, AGC, ANS, DRC
Audio Bit Rate	G.711ulaw ( 64 Kbps ) /G.711alaw ( 64 Kbps ) /MP3 ( 128 Kbps ) Sampling bit width: 16 bits
Interface	
Alarm	Alarm in
Network Interface	RJ45 10 M/100 M Adaptive Ethernet port × 1
Local Storage	Built-in 64 GB EMMC (Audio file storage is 55 GB.)
Audio In	3.5 mm audio interface × 1
LED Indicator	Solid green: normal working Flashing green: intercom in progress Solid red: start or network disconnection Flashing red: upgrading
Reset	Support
General	
Power	24 VDC ± 10%, 2.5 A, max. 60 W, PoE: 50 V to 57 V, 0 A to 1.6 A, max. 71 W
Material	Main body: PC Base: ABS
Dimension	∅242.78 mm × 192.7 mm (9.56" × 7.59")
Weight	Approx. 2.7 kg (5.95 lb.)
Language	5 languages: English, French, Spanish, German, Italian
Package Dimension	305 mm × 305 mm × 315 mm (12.01" × 12.01" × 12.4")
With Package Weight	Approx. 2.9 kg (6.49 lb.)
Packing List	Device × 1 Regulatory Compliance and Safety Information × 1 2-pin phoenix connector × 1 4-pin phoenix connector × 1
Bluetooth	Bluetooth 5.0, 10 m
Operating Temperature	-10 °C to 45 °C

Operating Humidity

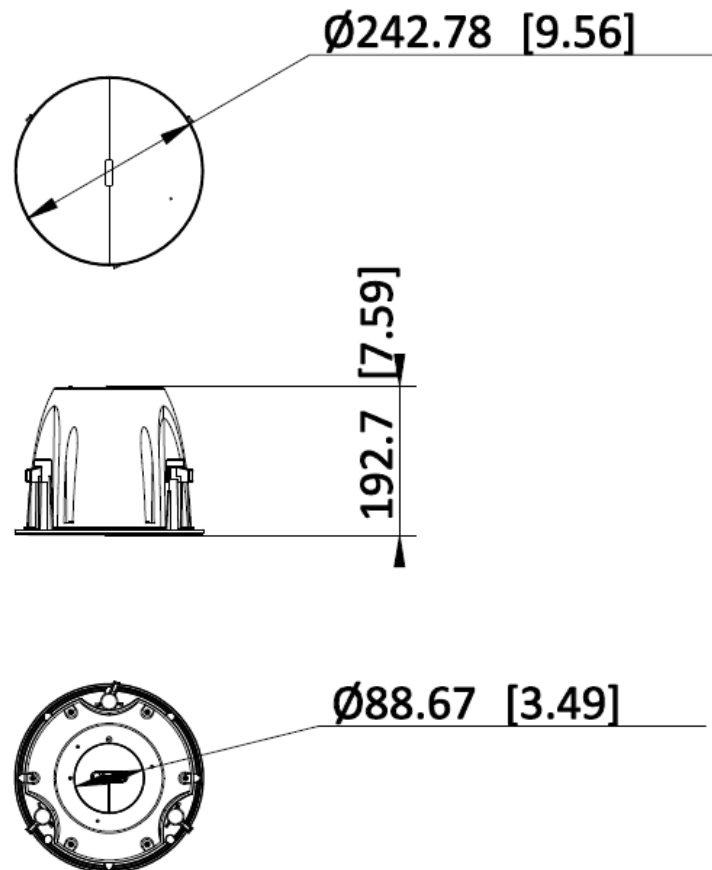
< 90% (No condensation)

▪ **Available Model**

DS-QAZ1610G1-BE

DS-QAZ1610G1-BE/BLACK

▪ **Dimension**



Unit: mm [inch]

SCALE

1:1

# See Far, Go Further



[www.hikvision.com](http://www.hikvision.com)  
[support@hikvision.com](mailto:support@hikvision.com)

