

DS-QAZ1110G1R-BE
10 W Network Cabinet Speaker

- Adopt high-speed industrial grade dual core chips, built-in NOR Flash+EMMC dual storage, support dual backup of the system to ensure stable and reliable system performance.
- Support secure startup, user login locking mechanism, and password complexity prompts, support security audit log traceability, and improve system network security.
- Support batch unified management of remote platforms through IP networks (local area networks/public networks) and flexible configuration of local WEB single machines, while also support local audio collection and playback, adapting to various scene applications.
- Support alarm input, arming schedule, and audio linkage, support TTS speech synthesis and text broadcasting, with natural and smooth standard male and female dual audio options.
- Support horizontal and vertical installation

▪ Specification

Microphone	
Type	electret
Amount	2
Frequency Response	100 Hz to 18 kHz
Sensitivity	-42 dBV/Pa
Sampling Rate	48 kHz
Quantization Bits	16 bit
Speaker	
Rated Power	10 W
Impedance	8 Ω
Sensitivity(1 m, 1 W)	90 dB
Max. Acoustic Pressure	100 dB SPL
Direction	All directions
Frequency Response	130 Hz to 17.5 kHz
SNR	83 dB
Speaker Unit	5.25" × 1
Function	
Audio Algorithm	AEC、AGC、ANS、DRC
Audio Bit Rate	G.711ulaw(64 Kbps)/G.711alaw(64 Kbps)/MP3(128 Kbps) Sampling bit width: 16 bits
Audio File Format	WAV、MP3、MP2、AAC
NTP Timing	Support
Broadcast	Regular broadcast, live broadcast, emergency broadcast
Two-Way Audio	Support
Speech Synthesis	Language Type: English, Russian, Spanish, Japanese, Thai, Portuguese (Brazil)
Network	
Network Protocol	IPv4, HTTP, HTTPS, SIP, SSL/TLS, DNS, NTP, TCP, UDP, IGMP, ICMP, DHCP, ARP
Interface Protocol (API)	ISAPI, ISUP, SIP, RTP, ONVIF
Client	Hik-Partner Pro, iVMS-4200, Hik-Connect, HikCentral Professional
Communication	
Communication Method	Support wired network and bluetooth communication
Interface	
Ethernet Interface	RJ45 10 M/100 M Adaptive Ethernet port × 1
Local Storage	Built-in 64 GB EMMC (Audio file storage is 55 GB.)
API	ISAPI, ISUP, SIP, ONVIF
Audio In	3.5 mm audio interface × 1
Audio Out	Fixed resistance output × 1, phoenix terminal, 8 Ω
LED Indicator	Solid green: normal working Flashing green: intercom in progress Solid red: start or network disconnection Flashing red: upgrading
Reset	Support
Volume Knob	Support

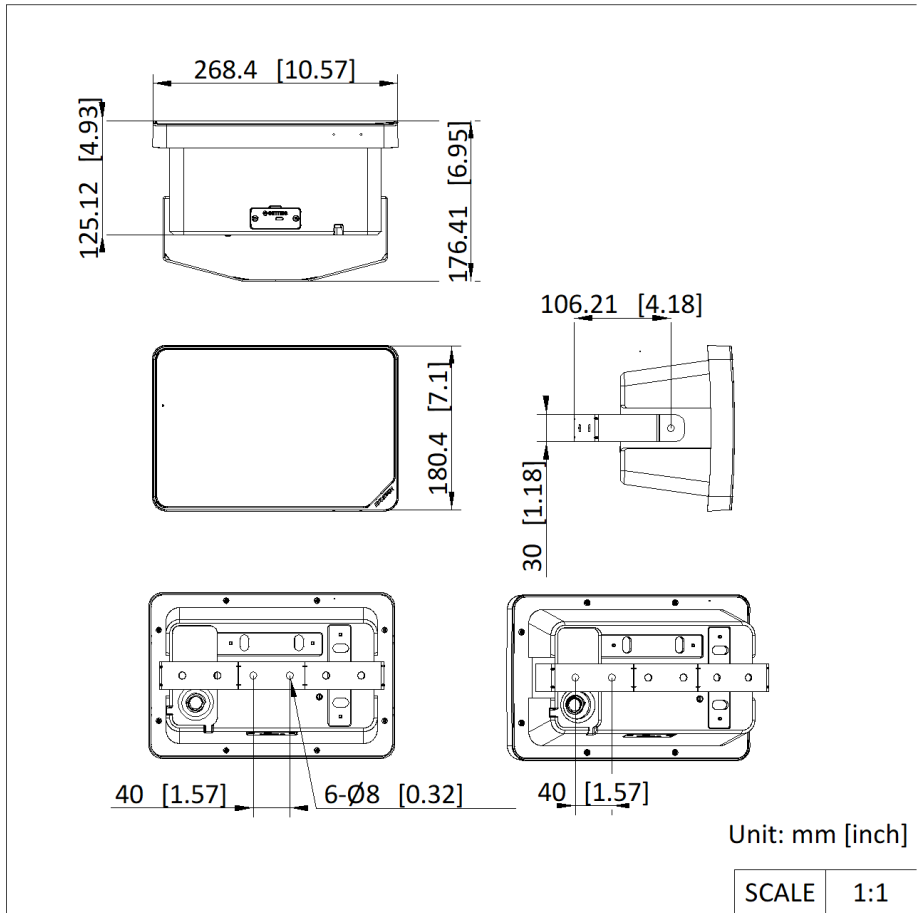
General	
Power	PoE(IEEE 802.3at class 4)
Material	Main body&Front cover : plastic, bracket: metal
Operating Temperature	-30 °C to 60 °C (-22 °F to 140 °F)
Operating Humidity	< 90% (No condensation)
Language	9 languages: English, French, Spanish, German, Italian, Russian, Japanese, Thai, Portuguese (Brazil)
Dimension	268.4 mm × 180.4 mm × 125.12 mm (10.57" × 7.1" × 4.93")
Package Dimension	340 mm × 306 mm × 180 mm (13.39" × 12.05" × 7.09")
Weight	Approx. 2 kg (4.4 lb.)
With Package Weight	Approx. 2.2 kg (4.8 lb.)
Color	White
Packing List	Device × 1 U-shaped bracket × 1 Screw pack × 1 Installation sticker × 1 Regulatory Compliance and Safety Information × 1
Bluetooth	Bluetooth 5.0, 10 m
Approval	
RF	CE-RED: EN 301489-1 V2.2.3 (BT or 2.4G), EN 301489-17 V3.2.4 (BT or 2.4G), EN 300 328 V2.2.2 (BT or 2.4G), EN62311 2020(BT or 2.4G) RCM: EN 300 328 V2.2.2 (BT or 2.4G), AS/NZS 2772.2:2016+A1:2018, ARPANSA RPS S-1 Radiation Protection Series S-1 (Rev.1), ARPANSA RPS S01 Advisory Note IC ID: RSS-247(BT or 2.4G) ANATEL: Resolution No. 680/2017,Act No. 14448/2017,Act No. 950/2018,Act No. 1120/2018
EMC	CE-EMC: EN 55032:2015+A11:2020+A1:2020, EN IEC 61000-3-2:2019, EN 61000-3-3:2013+A1:2019+A2:2021, EN 55035:2017+A11:2020 RCM: AS/NZS CISPR 32: 2015 IC: ICES-003: Issue 7
Safety	CB: IEC 62368-1:2014 CE-LVD: EN 62368-1:2014/A11:2017
Environment	CE-RoHS: 2011/65/EU WEEE: 2012/19/EU Reach: Regulation (EC) No 1907/2006

▪ Available Model

DS-QAZ1110G1R-BE

DS-QAZ1110G1R-BE/BLACK

▪ Dimension



See Far, Go Further



www.hikvision.com
support@hikvision.com

