

DS-KAB6-ZU2 Bracket



Available for face recognition terminal which supports gang box installation on the speed gates and turnstiles. The speed gate and turnstiles' model name with "Pg" support this bracket.

- Available for face recognition terminal which supports gang box installation on the speed gates and turnstiles
- The speed gate and turnstiles' model name with "Pg" support this bracket.
- Supported rotation angle: 10° downwards.
- The following models supports the bracket: DS-K1T342 series, DS-K1T341 series, DS-K1T670 series, DS-K1T673 series, DS-K1T671 series, DS-K1T672 series, DS-K1T680 series, DS-K1T681 series, DS-K1T690 series, DS-K1T981 series, DS-K3G411X, DS-K3G200LX, DS-K3G200X, DS-K3B802X

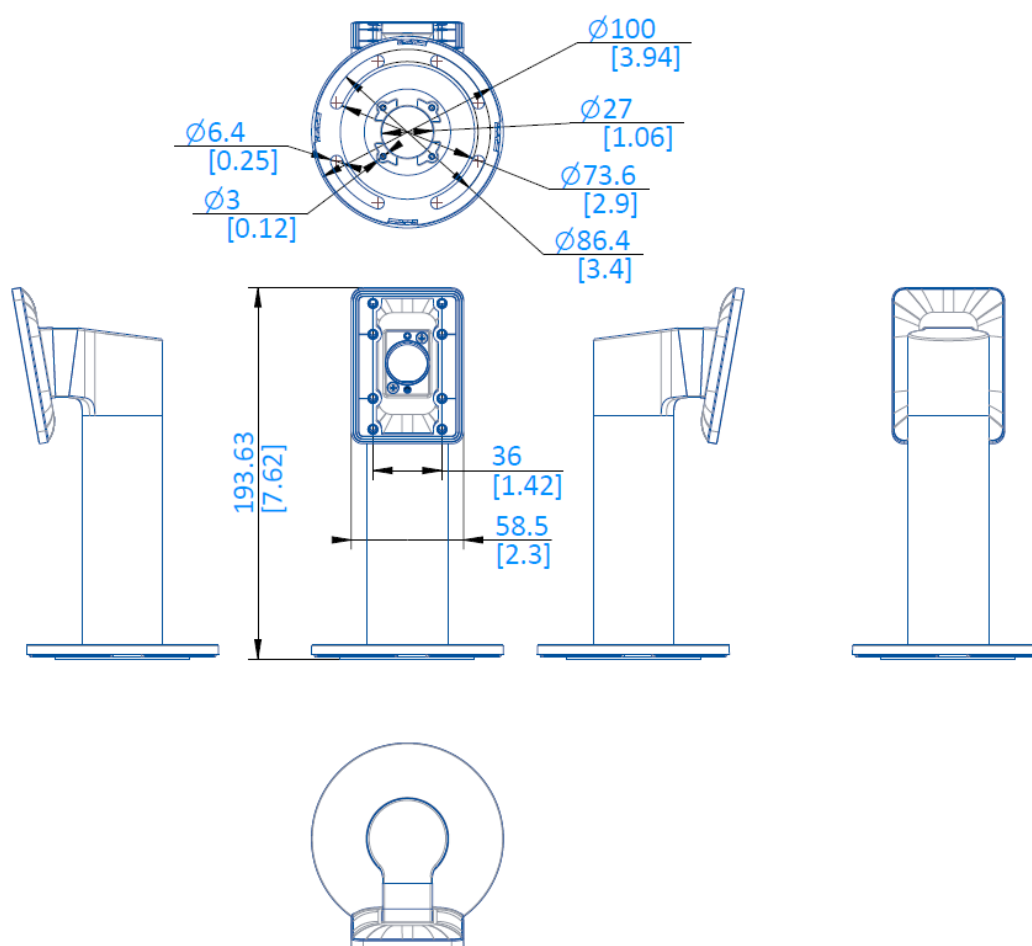
▪ **Specification**

General	
Dimensions	100 mm × 100 mm × 196 mm (3.94" × 3.94" × 7.72")
Weight	1.1 kg (2.4 lb)
Application environment	Indoor and outdoor
Material	Aluminum alloy, zinc alloy, silica gel, and PC

▪ **Available Model**

DS-KAB6-ZU2

▪ **Dimension**



Unit: mm [inch]

SCALE | 1:1

Headquarters

No.555 Qianmo Road, Binjiang District,
Hangzhou 310051, China
T +86-571-8807-5998
www.hikvision.com



Follow us on social media to get the latest product and solution information.

