

## DS-K7P07 Exit Button



- Touchless exit button
- Stainless steel panel
- LED indicator status: Green/blue LED indicates working/standby
- Dimension(L×W×H): 115×70×16mm (4.53"×2.76"×0.63")

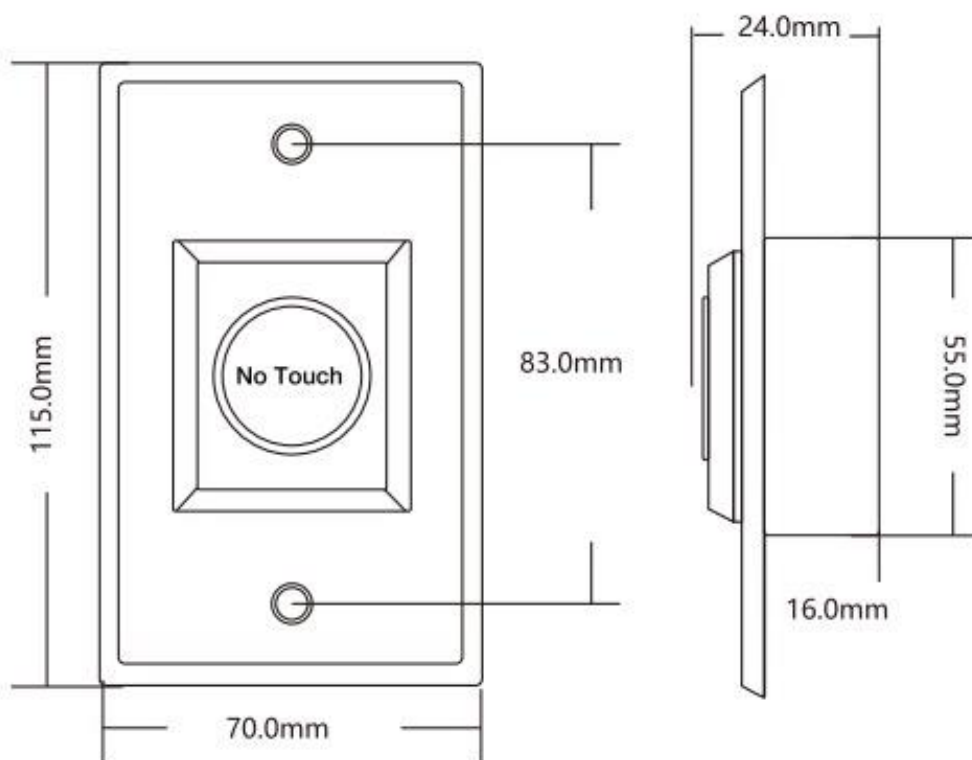
## ▪ Specification

General	
Power supply	DC12-24 V
Working temperature	-20 °C to 55 °C (-4 °F to 131 °F)
Working humidity	0 to 95% (relative humidity)
Dimensions	115 mm × 70 mm × 16 mm (4.53" × 2.76" × 0.63")
Weight	0.13 kg (0.27 lb)
Material	Panel: stainless steel
Exit Button	
Output contact	NO/NC/COM contact
Suitable door	Hollow door frame (concealed installation)

## ▪ Available Model

DS-K7P07

▪ Dimension



**Headquarters**

No.555 Qianmo Road, Binjiang District,  
Hangzhou 310051, China  
T +86-571-8807-5998  
www.hikvision.com



Follow us on social media to get the latest product and solution information.

