

## DS-K1T981M Iris Recognition Terminal



The terminal adopts deep learning algorithm, which helps to recognize the face and iris with higher accuracy. It can be applied in multiple scenarios, such as buildings, enterprises, financial industries, and other important areas.

- Max. 100,000 faces capacity, Max. 10,000 irises capacity, Max. 100,000 cards capacity, and Max. 150,000 events capacity
- Iris recognition with 8-inch LCD touch screen; 2 MP wide-angle lens for face recognition and 5 MP single lens for iris recognition; built-in M1 card reading module
- Two-way audio with client software
- Supports TCP/IP, and Wi-Fi
- Configuration via the web client
- Face recognition distance: 0.3 m to 3 m; iris recognition distance: 40 cm to 70 cm
- Face recognition duration < 0.2 s/User and accuracy rate  $\geq$  99%; iris recognition duration < 1 s
- Supports face with mask recognition

## ▪ Specification

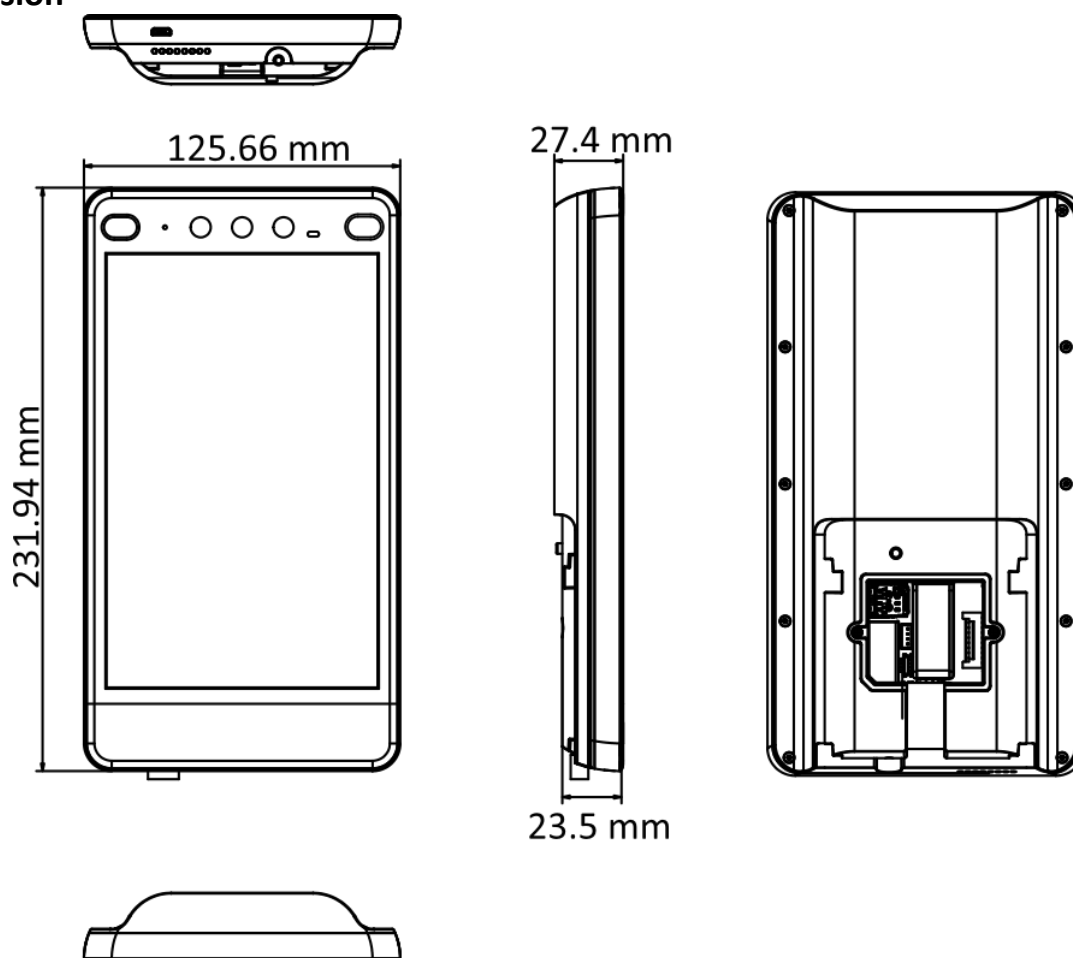
<b>System</b>	
Operation system	Linux
<b>Display</b>	
Dimensions	8-inch
Resolution	800 × 1280
Type	LCD
Operation method	Capacitive touch screen
<b>Video</b>	
FOV	For face recognition: HFOV= 44°; VFOV= 88°; DFOV= 108° For iris recognition: HFOV= 19.9°; VFOV= 14.5°; DFOV= 24.5°
Pixel	For face recognition: 2 MP For iris recognition: 5 MP
Lens	× 3 (2 for face recognition, 1for iris recognition)
Video standard	PAL (Default) and NTSC
<b>Network</b>	
Wired network	10 M/100 M/1000 M self-adaptive
Wi-Fi	Support
<b>Interface</b>	
Network interface	1
RS-485	1
Wiegand	1
Lock output	1
Exit button	1
Door contact input	1
IO input	2
IO output	1
TAMPER	1
USB	1
<b>Capacity</b>	
Iris capacity	10,000
Card capacity	100,000
Face capacity	100,000
Event capacity	150,000
<b>Authentication</b>	
Iris recognition distance	40 to 70 cm
Iris registration duration	< 5 s
Iris recognition duration	< 1 s
Card type	Mifare 1 card
Card reading frequency	13.56 MHz
Face recognition duration	< 0.2 s
Face recognition accuracy rate	> 99%
Face recognition distance	0.3 to 3 m

Function	
Face anti-spoofing	Support
Time synchronization	Support
General	
Power supply	12 VDC/3 A
Working temperature	-30 °C to 60 °C (-22 °F to 140 °F)
Working humidity	10% to 90% (No condensing)
Dimensions	126 mm × 232 mm × 27 mm (5.0" × 9.1" × 1.1")
Installation	Wall Mounting
Protective level	IP65 (It is recommended using the device indoors for iris recognition)
Language	English

▪ **Available Model**

DS-K1T981M

▪ **Dimension**



**Headquarters**

No.555 Qianmo Road, Binjiang District,  
Hangzhou 310051, China  
T +86-571-8807-5998  
www.hikvision.com



Follow us on social media to get the latest product and solution information.

