

DS-2CE12KF3T-LSYE 3K Smart Hybrid Light ColorVu Fixed Bullet Camera



- High quality imaging with 3K, 2960 × 1665 resolution
- 24/7 color imaging with F1.0 aperture
- Smart-Hybrid light, optimize your security with flexible lighting options
- Clear imaging against strong back light due to 130 dB true WDR technology
- 3D DNR technology delivers clean and sharp images
- Up to 40 m white light and 40 m IR distance for bright night imaging
- High quality audio with audio over coaxial cable, built-in mic
- Water and dust resistant (IP67)
- Anti-corrosion design, providing reliability and longevity compared to standard (NEMA4X)

▪ Specification

Camera	
Image Sensor	3 K CMOS
Max. Resolution	2960 (H) × 1665 (V)
Min. Illumination	0.0005 Lux @ (F1.0, AGC ON), 0 Lux with white light
Shutter Time	PAL: 1/25 s to 1/50,000 s; NTSC: 1/30 s to 1/50, 000 s
Day & Night	ICR
Angle Adjustment	Pan: 0° to 360°, Tilt: 0° to 180°, Rotate: 0° to 360°
Signal System	PAL/NTSC
Slow Shutter	Max. 16 times
Lens	
Lens Type	2.8 mm, 3.6 mm fixed focal lens
Focal Length & FOV	2.8 mm, horizontal FOV: 112°, vertical FOV: 60°, diagonal FOV: 140° 3.6 mm, horizontal FOV: 90°, vertical FOV: 49°, diagonal FOV: 105°
Lens Mount	M12
Microphone	
Pickup Distance	In a radius of up to 5 m
Amount	1
Illuminator	
Supplement Light Type	Smart, IR, White Light
Supplement Light Range	IR: Up to 40 m, White Light: Up to 40 m
Image	
Image Parameters Switch	STD/HIGH-SAT/HIGHLIGHT
Image Settings	Saturation, Brightness, Contrast, Sharpness, Anti-banding, AGC
Frame Rate	TVI: 3K @20 fps/25 fps, 4 MP @25 fps/30 fps, 1080p @25 fps/30 fps
Day/Night Mode	Auto/Color
Wide Dynamic Range (WDR)	≥130 dB
Image Enhancement	BLC, HLC, Global, HLS, WDR, Face AE
Privacy Mask	4 programmable polygon privacy masks
Noise Reduction	3D DNR
White Balance	Auto, Manual
Interface	
Video Output	1 HD analog output
General	
Power	12 VDC ± 25%, max. 7.7 W, PoC.at, *You are recommended to use one power adapter to supply the power for one camera. If a high-impedance cable is used (such as the 18 m extension cable in the kit package), a 15 VDC adapter is required.
Material	Front cover: Metal; Main body: Plastic
Dimension	211 mm × 83.5 mm × 80.7 mm (8.31" × 3.29" × 3.18")
Weight	Approx. 445 g (0.98 lb.)
Operating Condition	-40 °C to 60 °C (-40 °F to 140 °F). Humidity 90% or less (non-condensing)
Communication	HIKVISION-C
Language	English

Approval

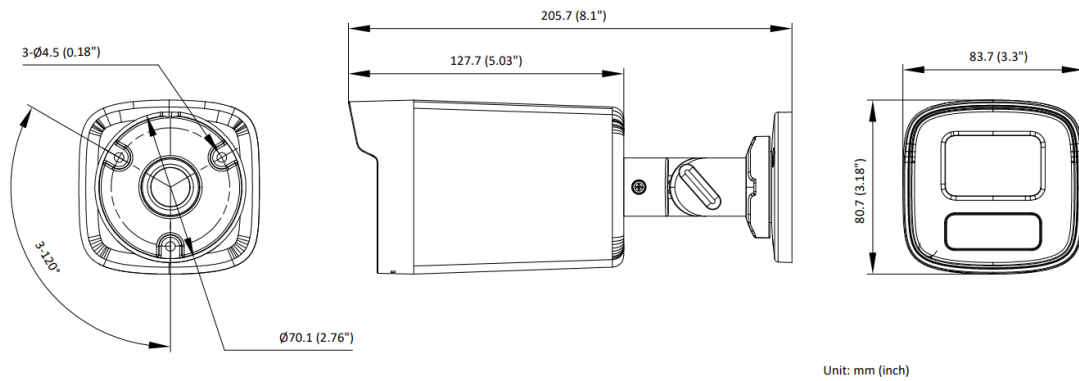
Protection	IP67
Anti-Corrosion Protection	NEMA 4X (NEMA 250-2018)

Available Model

DS-2CE12KF3T-LSYE(2.8mm)

DS-2CE12KF3T-LSYE(3.6mm)

Dimension



Accessory

Optional

DS-1275ZJ-SUS Vertical pole mount	DS-1276ZJ-SUS Corner mount	DS-1280ZJ-XS Junction box

See Far, Go Further



www.hikvision.com
support@hikvision.com

