

DS-2115ZJ-P
Vertical Pole Mount

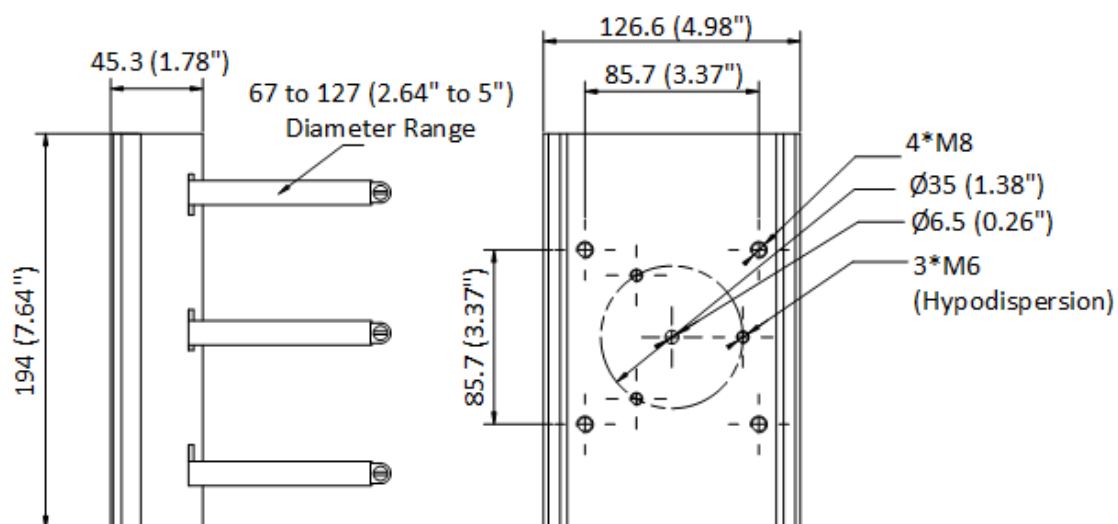


- Steel with surface spray treatment
- Stainless steel ensures the reliable structure
- Adjustable diameter from 67 mm to 127 mm (2.64" to 5")

▪ **Specification**

Parameters	
Color	Platinum Gray
Dimension (mm)	194 mm × 126.6 mm × 45.3 mm (7.64" × 4.98" × 1.78")
Weight	1103 g (2.43 lb.)
Material	Steel

▪ **Dimension**



Unit: mm

Headquarters

No.555 Qianmo Road, Binjiang District,
Hangzhou 310051, China
T +86-571-8807-5998
www.hikvision.com



Follow us on social media to get the latest product and solution information.

