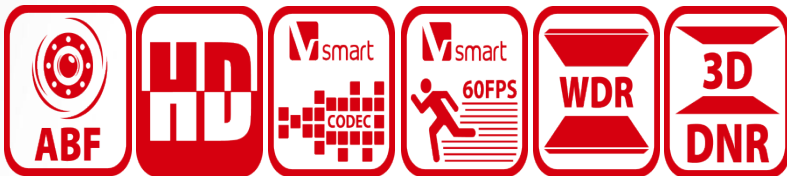


DS-2CD4026FWD/P-(H)L 2MP ANPR Smart Camera



DS-2CD4026FWD/P-(H)L offers Full HD resolution with up to 60fps high frame rate, 120dB WDR, Auto Back Focus, PoE, Defog, 3D DNR and complete Smart Feature-set to meet a wide variety of applications.

smart IPC

DS-2CD4026FWD/P-(H)L is Hikvision ANPR IPC and features complete Smart functions including:
Smart Detection
Vehicle Detection with Automatic Number Plate Recognition

Smart Image Control
Smart Auto Focus with ABF

1/1.8" Progressive Scan CMOS
Full HD1080p video
Up to 60fps frame rate
Ultra-low light
Slow shutter
120dB WDR
3D DNR
Auto Back Focus
Audio/Alarm IO
Support 128G on-board storage
AC24V
Build in 6 white LEDs

Key Features

Smart

Vehicle Detection with Automatic Number Plate Recognition

Smart lens options: ABF

Image

HD 1920 × 1080@25/30fps(WDR/LPR ON),50/60fps(WDR/ANPR OFF)

Support rotate mode, suitable for environment as corridor.

Support regional cropping, details can be seen with low bandwidth.

Code smoothness setting for different requirements of image quality and fluency.

Support H.264/MJPEG/MPEG4 video compression, multi-level video quality configuration; support

Basic/Main/High Profile H.264 encoding complexity.

Multiple OSD color: Black & white self-adaptive; Custom

120dB WDR is supportable for backlight environment.

Support defog, BLC, EIS.

System

Support ONVIF (profile S/profile G), CGI, PSIA, ISAPI protocol.

Support three streams, and Support 20 channels live view at the same time.

Anti-thunder, anti-surge, anti-static protection level.

Interface

Support standard 128G Micro SD/SDHC/SDXC card storage.

Support 10M/100M Ethernet Port.

Support Audio I/O, support dual channel stereo audio.

Support Alarm I/O

Support CVBS analog output (4CIF resolution)

Security

Support three-level user authentication management, user and password authorization, IP address filtering and anonymous access.

Support security certificate as HTTPS, SSH; support creating certificate.

Basic and digest authentication is supportable in IE configuration

Lock user IP for many times error login

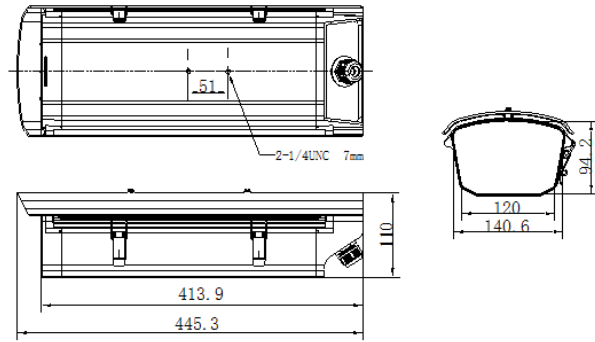
DS-2CD4026FWD/P-(H)L 2MP ANPR Smart Camera



Specification

Camera	
Image Sensor	1/1.8" Progressive Scan CMOS
Min. Illumination	Color: 0.002 Lux @ (F1.2, AGC ON), B/W: 0.0002 Lux @ (F1.2, AGC ON)
Shutter Speed	1s ~ 1/100,000s
Slow Shutter	Support
Lens	3.8-16mm @ F1.5 or 11-40mm @ F1.5
Auto-iris	DC drive
Day & Night	IR Cut Filter
WDR	120dB
Focus	support ABF
Compression Standard	
Video Compression	H.264/MPEG4/MJPEG
H.264 Type	Baseline Profile / Main Profile / High Profile
Video Bit Rate	32 Kbps – 16 Mbps
Audio Compression	G.711/G.722.1/G.726/MP2L2
Audio Bit Rate	64Kbps(G.711) / 16Kbps(G.722.1) / 16Kbps(G.726) / 32-128Kbps(MP2L2)
Image	
Max. Resolution	1920 × 1080
Frame Rate	50Hz: 50fps(1920 × 1080, 1280 × 960, 1280 × 720)(WDR/ANPR OFF) 60Hz: 60fps (1920 × 1080, 1280 × 960, 1280 × 720)(WDR/ANPR OFF)
Third Stream	Independent with Main Stream and Sub Stream, up to 50Hz: 25fps(1920 × 1080); 60Hz: 30fps (1920 × 1080)
Image Enhancement	BLC/3D DNR/ROI/Defog/PIS
Image Setting	Rotate Mode, Saturation, Brightness, Contrast, Sharpness adjustable by client software or web browser
Regional Cropping	Support
Day/Night Switch	Auto/Schedule/Triggered by Alarm In
Picture Overlay	LOGO picture can be overlaid on video with 128x128 24bit bmp format
Network	
Network Storage	NAS (Support NFS,SMB/CIFS), ANR
Alarm Trigger	Motion detection, Tampering alarm, Network disconnect, IP address conflict, Storage exception
Protocols	TCP/IP, UDP, ICMP, HTTP, HTTPS, FTP, DHCP, DNS, DDNS, RTP, RTSP, RTCP, PPPoE, NTP, UPnP, SMTP, SNMP, IGMP, 802.1X, QoS, IPv6, Bonjour
Security	User Authentication, Watermark, IP address filtering, Anonymous access
Standard	ONVIF(PROFILE S,PROFILE G),PSIA,CGI,ISAPI
Interface	
Audio	1-ch 3.5 mm audio in(Mic in/Line in)/out interface, 1 build-in Microphone
Communication Interface	1 RJ45 10M/100M Ethernet port, 1 RS-485 interface and 1 RS-232 interface
Alarm	1 input, 1 output (up to DC24V 1A or AC110V 500mA)
Video Output	1Vp-p composite output (75 Ω/BNC)
On-board storage	Built-in Micro SD/SDHC/SDXC slot, up to 128 GB
Reset Button	Yes

Dimensions



Audio	
Environment Noise Filtering	Support
Audio I/O	Support dual audio track, stereo
Audio Sampling Rate	16kHz / 32kHz / 44.1kHz / 48kHz
General	
Operating Conditions	-30 °C – 60 °C (-22 °F – 140 °F), Humidity 95% or less (non-condensing) -H:-40 °C – 60 °C (-40 °F – 140 °F)
Power Supply	24 V AC ± 10%
Power Consumption	Max. 14 W -H:Max.74W
Dimensions	445.3X110X140.6mm
Weight	3800 g

Accessories



DS-1293ZJ

Long Arm Wall Mount