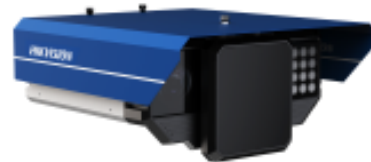


iDS-TCS907-FIR**9 MP All-Rounder Incident Detection Camera**

- High quality imaging with 9 MP resolution (1"GMOS) & 80 GHz precise radar
- H.264/H.265 High Profile encoding, maximum Full HD 4096 × 2160 @ 50 fps real-time image output
- Color: 0.001 Lux @ (F1.4, AGC ON), B/W: 0.0005 Lux @ (F1.4, AGC ON)
- 3D DNR technology delivers clean and sharp images
- Supports multi-target vehicle trajectory detection and target visualization
- Supports multiple incidents detection: Stopped Vehicle, Driving on the Lane Line, Lane Change, Continuous Lane Change, Wrong-Way Driving, Speeding, Low-Speed, Congestion, Construction, Roadblock, Pedestrian, Fallen Object, Emergency Lane Occupation, Smoke, Fire, Occupied by Animal.
- Supports multiple traffic parameters collection: Traffic Flow, Average Speed, Traffic State, Lane Queue Length, Time Interval of Vehicle Head, Headway Distance, Lane Space Occupancy, Lane Time Occupancy
- Supports two application scenarios: highway and urban expressway

▪ Specification

Camera	
Image Sensor	1" GMOS
Max. Resolution	4096 × 2160
Min. Illumination	Color: 0.001 Lux @ (F1.4, AGC ON), B/W: 0.0005 Lux @ (F1.4, AGC ON), 0 Lux with IR
Shutter Time	7 us - 20000 us
Day & Night	IR cut filter
Lens	
Lens Type	Fixed focal lens, 25 mm
Focal Length & FOV	25 mm, horizontal FOV 32°, vertical FOV 16.8°, diagonal FOV 36.3°
Focus	Auto
Aperture	F1.6-C
Illuminator	
Built-in Supplement Light Type	IR light
Supplement Light Number	16
Built-in Supplement Light Range	Up to 40 m
IR Wavelength	850 nm
External Supplement Light	Strobe light
Radar	
Working Frequency	79 to 81 GHz
Modulation Waveform	FMCW
Horizontal Detection Angle	± 14° @ Narrow Beam, ± 60° @ Wide Beam
Vertical Detection Angle	± 4.5° @ Narrow Beam, ± 12.6° @ Wide Beam
Angle Resolution	1.8° @ Narrow Beam, 6.2° @ Wide Beam
Sweep Bandwidth	169 MHz @ Narrow Beam, 500 MHz @ Wide Beam
Speed Measurement Accuracy	± 2 km/h
Speed Measuring Range	- 250 to + 250 km/h
Detection Distance	20 to 350 m
Antenna Beam Width	35° × 16°
Trigger Consistency	≤ ± 1 m
Trigger Mode	Approaching direction, Leaving direction, Bidirection
Coverage Lanes	Up to 4 lane(s)
Video	
Main Stream	50 Hz: 50 fps (4096 × 2160, 3840 × 2160, 3392 × 2008, 3072 × 1728, 2688 × 1520, 1920 × 1080, 1280 × 720) 60 Hz: 30 fps (4096 × 2160, 3840 × 2160, 3392 × 2008, 3072 × 1728, 2688 × 1520, 1920 × 1080, 1280 × 720)
Sub-Stream	50 Hz: 50 fps (3392 × 2008, 2688 × 1520, 1920 × 1080, 1280 × 720) 60 Hz: 30 fps (3392 × 2008, 2688 × 1520, 1920 × 1080, 1280 × 720)
Third Stream	50 Hz: 50 fps (1920 × 1080, 1280 × 720, 704 × 576) 60 Hz: 30 fps (1920 × 1080, 1280 × 720, 704 × 576)
Video Compression	Main stream: H.265/H.264/MJPEG, Sub-stream: H.265/H.264/MJPEG, Third stream: H.265/H.264/MJPEG
Video Bit Rate	32 Kbps to 16 Mbps
H.264 Type	Baseline profile/Main profile/High profile

H.265 Type	Main profile
Scalable Video Coding (SVC)	H.264 and H.265 encoding
Network	
Protocols	TCP/IP, HTTP, HTTPS, DDNS, RTSP, NTP, FTP, SFTP, DHCP, DNS, RTP, IPv4/IPv6, UDP, SSL/TLS, ICMP, RTCP, SNMP, IGMP, 802.1X, QoS, ISUP, ARP
Simultaneous Live View	Up to 6 channels
API	ONVIF (PROFILE S, PROFILE G, PROFILE T), ISAPI, SDK, ISUP
User/Host	Up to 32 users, 3 user levels: administrator, operator, and user
Security	<ul style="list-style-type: none"> Password protection Complicated password HTTPS encryption Watermark Basic and digest authentication for HTTP/HTTPS RTP/RTSP over HTTPS Control timeout settings Security audit log IP address filter WSSE and digest authentication for ONVIF Host authentication (MAC address)
Network Storage	Micro SD/TF card (512 GB), Local storage, CVR, NVR, ANR
Client	Hik-Central Master, HikCentral Master Lite, Hik-Central Pro
Web Browser	Chrome V61+, IE9 to IE11, Firefox V41+, Edge
Image	
Image Settings	Saturation, brightness, contrast, sharpness, AGC, and white balance are adjustable by client software or web browser
Day/Night Switch	Auto, Schedule, Manual
Image Enhancement	BLC, 3D DNR
Supplement Detection (Satellite Positioning)	
Satellite Positioning	GPS (optional)
Interface	
Ethernet Interface	1 RJ45 10 M/100 M/1000 M self-adaptive Ethernet interface
RS-232	1 RS-232
RS-485	1 RS-485 interfaces (half duplex, HIKVISION)
USB	1 USB 2.0 (5.0 V, 1.0 A) interface(s)
Alarm	6 output interfaces (5 V, level signal)
On-Board Storage	Built-in memory card slot, supporting microSD/SDHC/SDXC card, up to 512 GB
Indicator	Supported
Event	
Basic Event	HDD Error, network disconnected, IP address conflicted, vehicle detector exception, traffic light detector exception
Road Traffic and Vehicle Detection	
Coverage	Up to 4 lanes
Trigger Mode	Video trigger

Smart Function	<p>Supports multiple incidents detection: Stopped Vehicle, Driving on the Lane Line, Lane Change, Continuous Lane Change, Wrong-Way Driving, Speeding, Low-Speed, Congestion, Construction, Roadblock, Pedestrian, Fallen Object, Emergency Lane Occupation, Smoke, Fire, Occupied by Animal.</p> <p>Supports multiple traffic parameters collection: Traffic Flow, Average Speed, Traffic State, Lane Queue Length, Time Interval of Vehicle Head, Headway Distance, Lane Space Occupancy, Lane Time Occupancy.</p>
General	
Operating System	Linux
Power	DC 36 V ± 20%, 1.9 A, max. 70 W, 2-core terminal block
Material	Aluminum alloy
Dimension	457 mm × 396 mm × 193.8 mm (17.99" × 15.59" × 7.63") (L × W × H)
Package Dimension	535 mm × 500 mm × 390 mm (21.06" × 19.68" × 15.35") (L × W × H)
Weight	Approx. 9.4 kg (20.7 lb.)
With Package Weight	Approx. 15.2 kg (33.5 lb.)
Operating Condition	- 30 °C to 70 °C (22 °F to 158 °F). Humidity 95% or less (non-condensing)
Storage Condition	- 30 °C to 70 °C (- 22 °F to 158 °F). Humidity 95% or less (non-condensing)
General Function	Heartbeat, Password protection, NTP time adjustment, One-key reset, Watermark
Language	8 languages: English, Thai, Croatian, Korean, Russian, Traditional Chinese, Ukrainian, Spanish
Approval	
RF	CE-RED: EN 301489-1 V2.2.3, EN 301489-3 V2.1.1, EN 301489-17 V3.2.4, EN 301489-52 V1.2.1, EN 302264-1 V1.1.1, EN 302 264-2 V1.1.1, EN IEC 62311: 2020
EMC	CE-EMC: EN 55032: 2015/A11: 2020 + A1: 2020, EN IEC61000-3-2: 2019/A1: 2021, EN 61000-3-3: 2013 + A1: 2019/A2: 2021, EN 50130-4: 2011 + A1: 2014
Safety	CE-LVD: EN 61010-1: 2010 + A1: 2019, CB: IEC 61010-1: 2010; IEC 61010-1: 2010/AMD1: 2016
Environment	CE-RoHS: 2011/65/EU, WEEE: 2012/19/EU, Reach: Regulation (EC) No 1907/2006
Protection	IK10: IEC 62262:2002, IP67: IEC 60529-2013

▪ Typical Application

Hikvision products are classified into three levels according to their anti-corrosion performance. Refer to the following description to choose for your using environment.

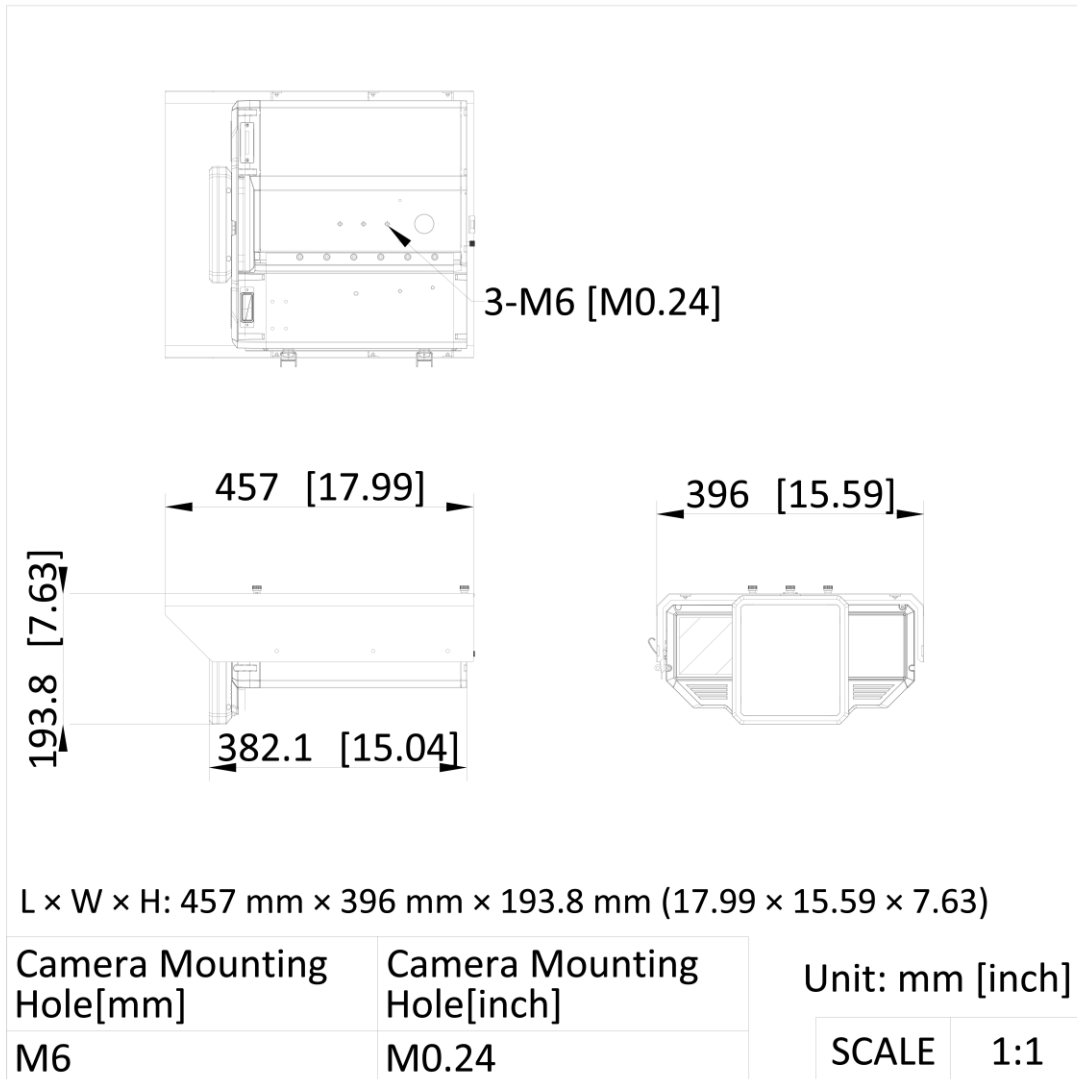
This model has NO SPECIFIC PROTECTION.

Level	Description
Top-level protection	Hikvision products at this level are equipped for use in areas where professional anti-corrosion protection is a must. Typical application scenarios include coastlines, docks, chemical plants, and more.
Moderate protection	Hikvision products at this level are equipped for use in areas with moderate anti-corrosion demands. Typical application scenarios include coastal areas about 2 kilometers (1.24 miles) away from coastlines, as well as areas affected by acid rain.
No specific protection	Hikvision products at this level are equipped for use in areas where no specific anti-corrosion protection is needed.

▪ Available Model

iDS-TCS907-FIR/350m/25(AF)

▪ Dimension




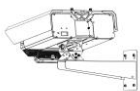
▪ **Accessory**

▪ **Included**

DS-1232ZJ-T/BJH
Cardan Joint



▪ **Optional**

DS-1275ZJ-BJH/600mm Hoop & Bracket	DS-1701ZJ/BJH Hoop & Bracket	DS-1278ZJ-BJH Hoop & Bracket
		
		

See Far, Go Further



www.hikvision.com
support@hikvision.com

