

iDS-2CD7046G0(-AP)/(F11) 4MP Box Network Camera

DarkFighter



▪ DeepinView^{series}

- High quality imaging with 4 MP resolution
- Excellent low-light performance via DarkFighter technology
- Clear imaging against strong back light due to 140 dB WDR technology
- Efficient H.265+ compression technology to save bandwidth and storage
- Advanced streaming technology that enables smooth live view and data self-correcting in poor network
- 5 streams and up to 5 custom streams to meet a wide variety of applications
- Built-in microphone for real-time audio security



▪ Function

Face Counting

With the embedded deep learning algorithms, the camera integrates multiple intelligences. It counts persons and samples the face features simultaneously, and compares them with the built-in face library, so to remove the duplicated person. It counts persons and reports a face alarm simultaneously to achieve both the entrance control and people counting.

Hard Hat Detection

With the embedded deep learning algorithms, the camera detects the persons in the specified region. It detects whether the person is wearing a hard hat, and captures the head of the person and reports an alarm if not.

Multi-Target-Type Detection

With the embedded deep learning algorithms, the camera detects and captures the face and human body in the specified region and outputs the features, such as gender, age and top color. It supports a structured modeling of the face and human body to achieve a structured data collection.

Queue Management

With embedded deep learning based algorithms, the camera detects queuing-up people number and waiting time of each person. The body feature detection algorithm helps filter out wrong targets and increase the accuracy of detection.

Metadata

Metadata uses individual instances of application data or the data content. Metadata can be used for third-party application development.

Smooth Streaming

Smooth streaming offers solutions to improve the video quality in different network conditions. For example, in poor network conditions, adapting to the detected real-time network condition, streaming bit rate and resolution are automatically adjusted to avoid mosaic and lower latency in live view; in multiplayer network conditions, the camera transmits the redundant data for the self-error correcting in back-end device, so that to solve the mosaic problem because of the packet loss and error rate.

▪ Specification

| Camera | |
|-----------------------------|--|
| Image Sensor | 1/1.8" Progressive Scan CMOS |
| Min. Illumination | Color: 0.001 Lux @ (F1.2, AGC ON); B/W: 0.0003 Lux @ (F1.2, AGC ON) |
| Shutter Speed | 1 s to 1/100,000 s |
| Slow Shutter | Yes |
| P/N | P/N |
| Wide Dynamic Range | 140 dB |
| Day & Night | IR cut filter. |
| Lens | |
| Lens Mount | DC drive. CS mount |
| Fixed Aperture | Constant F1.2 throughout the zoom range |
| Blue Glass Module | Blue glass module to reduce ghost phenomenon. |
| ABF | -AP: Yes |
| P-Iris | -P: Yes |
| Video | |
| Max. Resolution | 2680 × 1520 |
| Main Stream | 50Hz: 25fps (2680 × 1520, 2560 × 1440, 1920 × 1080, 1280 × 720) 60Hz: 30fps (2680 × 1520, 2560 × 1440, 1920 × 1080, 1280 × 720) |
| Sub-Stream | 50Hz: 25fps (704 × 576, 640 × 480) 60Hz: 30fps (704 × 480, 640 × 480) |
| Third Stream | 50Hz: 25fps (1920 × 1080, 1280 × 720, 704 × 576, 640 × 480) 60Hz: 30fps (1920 × 1080, 1280 × 720, 704 × 480, 640 × 480) |
| Fourth Stream | 50Hz: 25fps (1920 × 1080, 1280 × 720, 704 × 576, 640 × 480) 60Hz: 30fps (1920 × 1080, 1280 × 720, 704 × 480, 640 × 480) |
| Fifth Stream | 50Hz: 25fps (704 × 576, 640 × 480) 60Hz: 30fps (704 × 480, 640 × 480) |
| Custom Stream | 50Hz: 25fps (1920 × 1080, 1280 × 720, 704 × 576, 640 × 480) 60Hz: 30fps (1920 × 1080, 1280 × 720, 704 × 480, 640 × 480) |
| Video Compression | Main stream: H.265+/H.265/H.264+/ H.264 Sub-stream/Third stream/Fourth stream/Fifth stream/custom stream: H.265/H.264/MJPEG |
| Video Bit Rate | 32 Kbps to 16 Mbps |
| H.264 Type | Baseline Profile/Main Profile/High Profile |
| H.265 Type | Main Profile |
| H.264+ | Main stream supports |
| H.265+ | Main stream supports |
| Bit Rate Control | CBR/VBR |
| Stream Type | Main stream/Sub-stream/third stream/fourth stream/fifth stream/custom stream |
| Scalable Video Coding (SVC) | H.265 and H.264 support |
| Region of Interest (ROI) | 4 fixed regions for each stream |
| Audio | |
| Environment Noise Filtering | Yes |
| Audio Sampling Rate | 8 kHz/16 kHz/32 kHz/44.1 kHz/48 kHz |
| Audio Compression | G.711/G.722.1/G.726/MP2L2/PCM/MP3 |
| Audio Bit Rate | 64Kbps(G.711)/16Kbps(G.722.1)/16Kbps(G.726)/32-192Kbps(MP2L2)/32Kbps(PCM)/8-320Kbps(MP3) |
| Audio Type | mono sound |

| Network | |
|--------------------------|--|
| Simultaneous Live View | Up to 20 channels |
| API | Open Network Video Interface (PROFILE S, PROFILE G, PROFILE T), ISAPI, SDK, ISUP |
| Protocols | TCP/IP, ICMP, HTTP, HTTPS, FTP, SFTP, SRTP, DHCP, DNS, DDNS, RTP, RTSP, RTCP, PPPoE, NTP, UPnP, SMTP, SNMP, IGMP, 802.1X, QoS, IPv6, UDP, Bonjour, SSL/TLS |
| Smooth Streaming | Yes |
| User/Host | Up to 32 users. 3 user levels: administrator, operator and user |
| Security | Password protection, complicated password, HTTPS encryption, 802.1X authentication (EAP-TLS, EAP-LEAP, EAP-MD5), watermark, IP address filter, basic and digest authentication for HTTP/HTTPS, WSSE and digest authentication for Open Network Video Interface, RTP/RTSP OVER HTTPS, Control Timeout Settings, Security Audit Log, TLS 1.2 |
| Network Storage | microSD/SDHC/SDXC card (256 G) local storage, and NAS (NFS, SMB/CIFS), auto network replenishment (ANR) Together with high-end Hikvision memory card, memory card encryption and health detection are supported. |
| Client | iVMS-4200, Hik-Connect, Hik-Central |
| Web Browser | Plug-in required live view: IE8+ Plug-in free live view: Chrome 57.0+, Firefox 52.0+, Safari 11+ Local service: Chrome 41.0+, Firefox 30.0+ |
| Image | |
| Smart IR | The IR LEDs on camera should support Smart IR function to automatically adjust power to avoid image overexposure. |
| Day/Night Switch | Day/Night/Auto/Schedule/Triggered by Alarm In |
| Target Cropping | Yes |
| Picture Overlay | LOGO picture can be overlaid on video with 128 × 128 24bit bmp format |
| Image Enhancement | BLC, HLC, 3D DNR, Defog, EIS, Distortion Correction |
| Image Parameters Switch | Yes |
| Image Settings | Rotate mode, saturation, brightness, contrast, sharpness, gain, white balance adjustable by client software or web browser |
| SNR | ≥52dB |
| Interface | |
| Alarm | 2 inputs, 2 outputs (max. 24 VDC, 1A) |
| Audio | 1 input (line in), 1 output (line out), 3.5 mm connector, 2 channels, 1 built-in microphone |
| RS-485 | 1 RS-485(half duplex, HIKVISION, Pelco-P, Pelco-D, self-adaptive) |
| Video Output | 1 Vp-p Composite Output (75Ω/CVBS) (For debugging only) |
| On-board Storage | Built-in micro SD/SDHC/SDXC slot, up to 256 GB |
| Hardware Reset | Yes |
| Communication Interface | 1 RJ45 100M/1000M self-adaptive Ethernet port |
| Power Output | 12 VDC, max. 200 mA (supported by all power supply types) |
| Smart Feature-Set | |
| Basic Event | Motion detection, video tampering alarm, exception (network disconnected, IP address conflict, illegal login, HDD full, HDD error) |

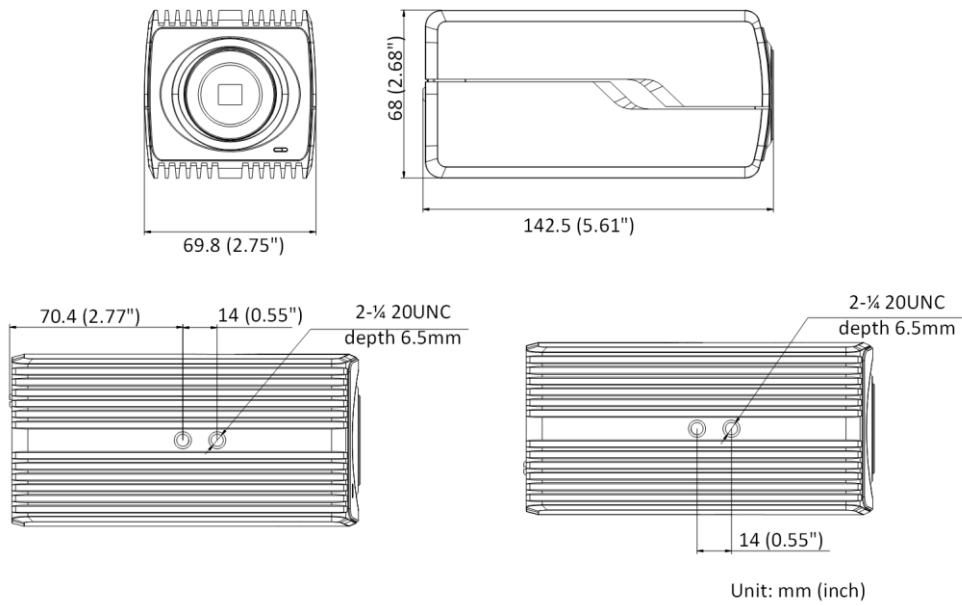
| | |
|--|---|
| Smart Event | <p>Line crossing detection, up to 4 lines configurable</p> <p>Intrusion detection, up to 4 regions configurable</p> <p>Region entrance detection, up to 4 regions configurable</p> <p>Region exiting detection, up to 4 regions configurable</p> <p>Unattended baggage detection, up to 4 regions configurable</p> <p>Object removal detection, up to 4 regions configurable,</p> <p>Scene change detection, audio exception detection, defocus detection</p> |
| Counting | Yes |
| Intelligent (Deep Learning Algorithm) | |
| Face Recognition | <p>Detects up to 30 faces simultaneously</p> <p>Supports swing left and right from -60° to 60°, tilt up and down from -30° to 30°</p> <p>Up to 3 face libraries with up to 30000 faces each are configurable</p> <p>Recognizes face identity via face modeling, grading and comparing to those in face library</p> <p>Supports face library encryption</p> |
| Multi-target-type Detection | <p>Supports simultaneous detection of human body and face</p> <p>Gets 8 face features and 13 human body features</p> |
| Face Counting | <p>Supports entering/exiting counting (track 30 targets simultaneously)</p> <p>Supports facial recognition</p> <p>Supports 24-hour dynamic deduplication and face library deduplication (up to 3 face libraries with up to 30000 faces)</p> <p>Supports reporting alarms when detecting the face is the same as that in the face library</p> |
| Hard Hat Detection | <p>Detects up to 30 human targets simultaneously;</p> <p>Supports up to 4 shield regions</p> |
| Queue Management | <p>Detects queuing-up people number, and waiting time of each person</p> <p>Generates reports to compare the efficiency of different queuing-ups and display the changing status of one queue</p> <p>Supports raw data export for further analysis</p> |
| Premier Protection | <p>Line crossing, intrusion, region entrance, region exiting</p> <p>Support alarm triggering by specified target types (human and vehicle)</p> <p>Filtering out mistaken alarm caused by target types such as leaf, light, animal, and flag, etc.</p> |
| General | |
| Linkage Method | <p>Upload to FTP/NAS/memory card, notify surveillance center, send email, trigger alarm output, trigger recording, trigger capture</p> <p>Trigger recording : memory card, network storage, pre-record and post-record</p> <p>Trigger captured pictures uploading: FTP, SFTP, HTTP, NAS, Email</p> <p>Trigger notification: HTTP, ISAPI, alarm output, Email</p> |
| Online Upgrade | Yes |
| Dual Backup | Yes |
| Firmware Version | V5.5.121 |
| Web Client Language | <p>33 languages</p> <p>English, Russian, Estonian, Bulgarian, Hungarian, Greek, German, Italian, Czech, Slovak, French, Polish, Dutch, Portuguese, Spanish, Romanian, Danish, Swedish, Norwegian, Finnish, Croatian, Slovenian, Serbian, Turkish, Korean, Traditional Chinese, Thai, Vietnamese, Japanese, Latvian, Lithuanian, Portuguese (Brazil), Ukrainian</p> |
| General Function | <p>Anti- flicker, 5 streams and up to 5 custom streams, EPTZ, heartbeat, mirror, privacy masks, flash log, password reset via e-mail, pixel counter</p> |
| Software Reset | Yes |

| | |
|----------------------------------|---|
| Sustainability | Yes |
| Storage Conditions | -30 °C to 60 °C (-22 °F to 140 °F). Humidity 95% or less (non-condensing) |
| Startup and Operating Conditions | -30 °C to 60 °C (-22 °F to 140 °F). Humidity 95% or less (non-condensing) |
| Power Supply | 12 VDC ± 24.9%, two-core terminal block, reverse polarity protection; 24 VAC ± 24.9%; PoE: 802.3af, Type 1 Class 3 |
| Power Consumption and Current | /F11: With extra load: 12VDC, 0.84A, 24VAC, 0.69A, 50/60Hz, 10.1W; PoE (802.3af,36-57VDC), 0.29-0.19A , class 3 Without /F11: With extra load: 12VDC, 1A,24VAC, 0.79A, 50/60Hz, 12W; PoE (802.3af,36-57VDC), 0.34-0.21A, class 3 |
| Power Interface | Two-core terminal block |
| Camera Material | Aluminum alloy body |
| Screw Material | Mild steel |
| Camera Dimension | 142.5 × 69.8 × 68 mm (5.61" × 2.75" × 2.68") |
| Package Dimension | 315 × 140 × 140 mm (12.4" × 5.51" × 5.51") |
| Camera Weight | 730g (1.96 lb.) |
| With Package Weight | 1115g (2.99 lb.) |
| Metadata | |
| Metadata | Metadata of intrusion detection, line crossing detection, region entrance detection, region exiting detection, unattended baggage detection, object removal, face capture and queue management are supported. |
| Approval | |
| Class | Class B |
| EMC | FCC (47 CFR Part 15, Subpart B); CE-EMC (EN 55032: 2015, EN 61000-3-2: 2014, EN 61000-3-3: 2013, EN 50130-4: 2011 +A1: 2014); RCM (AS/NZS CISPR 32: 2015); IC (ICES-003: Issue 6, 2016); KC (KN 32: 2015, KN 35: 2015) |
| Safety | UL (UL 60950-1); CB (IEC 60950-1:2005 + Am 1:2009 + Am 2:2013); CE-LVD (EN 60950-1:2005 + Am 1:2009 + Am 2:2013); BIS (IS 13252(Part 1):2010+A1:2013+A2:2015); LOA (IEC/EN 60950-1) |
| Environment | CE-RoHS (2011/65/EU); WEEE (2012/19/EU); Reach (Regulation (EC) No 1907/2006) |
| Fiber Optical | |
| Transfer Rate | /F11: 155 Mbps |
| Interface Type | /F11: LC interface |
| Fiber Type | /F11: 1 LC fiber optical interface, SFP module, single mode, 20 km transmission distance, 1310 nm (TX) and 1550 nm (RX), 155 Mbps transmission rate |
| Transmission Wavelength | /F11: TX:1310 nm, RX:1550 nm |
| Transmission Distance | /F11: 20 km |

▪ Available Model

iDS-2CD7046G0-AP/F11, iDS-2CD7046G0-AP, iDS-2CD7046G0

▪ **Dimension**



▪ **Accessory**



DS-1292ZJ
Wall Mount



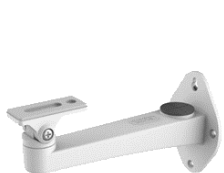
DS-1299ZJ
Pendant Mount



DS-1332HZ
Indoor Housing



DS-1331HZ-B
Outdoor Housing
+ DS-2202ZJ
Integrated Mount



DS-1293ZJ
Wall Mount



DS-1214ZJ
Horizontal Pole
Mount



DS-1269ZJ
Pendant Mount



DS-1233ZJ
Column Mount



HV3816D-8MPIR
3.8 to 16 mm DC
Iris



HV0415D-MP
4 to 15 mm DC Iris



HV1140P-8MPIRA
11 to 40 mm P-Iris



HV1140D-8MPIRA
11 to 40 mm DC
Iris



HV3816P-8MPIR
3.8 to 16 mm
P-iris



HV0733D-6MP
7 to 33 mm DC Iris

Distributed by



HIKVISION®

Headquarters

No.555 Qianmo Road, Binjiang District,
Hangzhou 310051, China
T +86-571-8807-5998
overseasbusiness@hikvision.com

Hikvision USA
T +1-909-895-0400
sales.usa@hikvision.com

Hikvision Australia
T +61-2-8599-4233
salesau@hikvision.com

Hikvision India
T +91-22-28469900
sales@pramahikvision.com

Hikvision Canada
T +1-866-200-6690
sales.canada@hikvision.com

Hikvision Thailand
T +662-275-9949
sales.thailand@hikvision.com

Hikvision Europe
T +31-23-5542770
sales.eu@hikvision.com

Hikvision Italy
T +39-0438-6902
info.it@hikvision.com

Hikvision Brazil
T +55 11 3318-0050
Latam.support@hikvision.com

Hikvision Turkey
T +90 (216)521 7070- 7074
sales.tr@hikvision.com

Hikvision Malaysia
T +601-7652-2413
sales.my@hikvision.com

Hikvision UK & Ireland
T +01628-902140
sales.uk@hikvision.com

Hikvision South Africa
Tel: +27 (10) 0351172
sale.africa@hikvision.com

Hikvision France
T +33(0)1-85-330-450
info.fr@hikvision.com

Hikvision Kazakhstan
T +7-727-9730667
nikia.panfilov@hikvision.ru

Hikvision Vietnam
T +84-974270888
sales.vt@hikvision.com

Hikvision UAE
T +971-4-4432090
salesme@hikvision.com

Hikvision Singapore
T +65-6684-4718
sg@hikvision.com

Hikvision Spain
T +34-91-737-16-55
info.es@hikvision.com

Hikvision Tashkent
T +99-87-1238-9438
uzb@hikvision.ru

Hikvision Hong Kong
T +852-2151-1761
info.hk@hikvision.com

Hikvision Russia
T +7-495-669-67-99
saleru@hikvision.com

Hikvision Korea
T +82-(0)31-731-8817
sales.korea@hikvision.com

Hikvision Poland
T +48-22-460-01-50
info.pl@hikvision.com

Hikvision Indonesia
T +62-21-2933759
Sales.Indonesia@hikvision.com

Hikvision Colombia
sales.colombia@hikvision.com