

DS-TL2002CI

IR LED Continuous Supplement Light



- Continuous light, IR light source, 28 lamp beads
- Aluminum alloy light body, fin-type radiator, and high light transmission with tempering glass
- Infrared LED chips with long lifespan, good stability and high luminous efficiency
- Professional optical design, light uniformity and distinct target spot
- High beam light design with built-in automatic light control, open at low illumination
- Novelty design(small size, light weight), easy for installation and adjustment
- Water and dust resistant (IP66)
- Green environmental protection without harmful metal such as mercury and lead

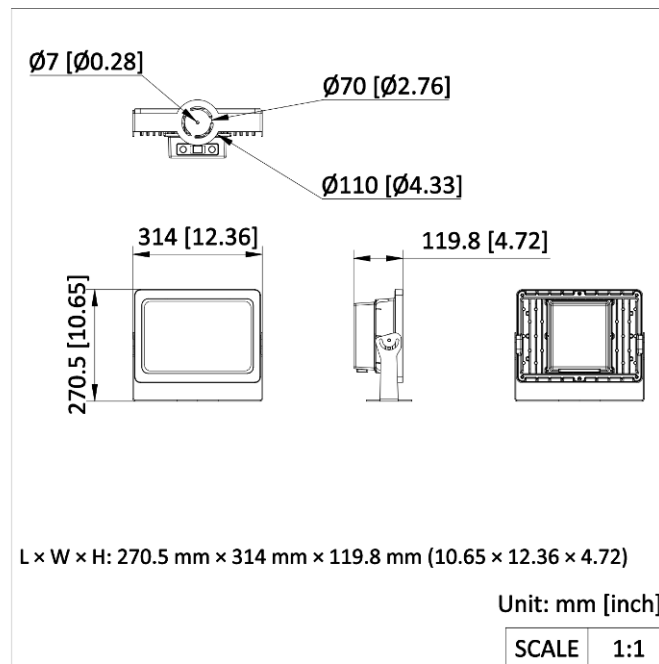
▪ Specification

Supplement Light	
Light Type	IR light
IR Wavelength	850 nm
LED Lamp Beads	28
Center Illuminance	100 $\mu\text{W}/\text{m}^2$
Angle of Light	30°
Effective Distance	16 to 30 m
Service Life	≥ 50000 Hours
Coverage	3 lane(s)
Function	
Day and Night Function	Support ambient brightness detection, and automatic start-up at low illumination
Brightness Control	Two grades of brightness control
Remote Control	Adopt remote start-up the supplement light via a control line
General	
Power	200 VAC to 240 VAC, 0.3 A, max. 56.8 W, two-core terminal block
Material	Aluminum alloy
Dimensions	270.5 mm × 314 mm × 119.8 mm (10.65" × 12.36" × 4.72") (L × W × H)
Package Dimensions	430 mm × 380 mm × 215 mm (16.93" × 14.96" × 8.46") (L × W × H)
Weight	Approx. 5.2 kg (11.40 lb.)
With Package Weight	Approx. 6.3 kg (13.87 lb.)
Operating Condition	-40 °C to 70 °C (-40 °F to 158 °F). Humidity 95% or less (non-condensing)
Storage Condition	-40 °C to 70 °C (-40 °F to 158 °F). Humidity 95% or less (non-condensing)
Approval	
EMC	EN 50130-4:2011+A1:2014, EN 55032:2015+A11:2020+A1:2020, EN 61000-3-3:2013+A1:2019+A2:2021, EN IEC 61000-3-2:2019+A1:2021
Safety	CB: IEC 60598-1:2020, IEC 60598-2-5:2015, CE-LVD: EN IEC 60598-1:2021+A11:2022, EN 60598-2-5:2015, EN IEC 62031:2020+A11:2022
Protection	IP66: IEC 60529: 1989+A1: 1999+A2: 2013
Environment	CE-RoHS: 2011/65/EU, WEEE: 2012/19/EU, Reach: Regulation (EC) No 1907/2006

▪ Available Model

DS-TL2002CI

▪ **Dimension**



- **Accessory**
- **Optional**

DS-1130-HWB/110-300 Hoop & Bracket	DS-1278ZJ-HWB Hoop & Bracket

Headquarters

No.555 Qianmo Road, Binjiang District,
Hangzhou 310051, China
T +86-571-8807-5998
www.hikvision.com



Follow us on social media to get the latest product and solution information.

