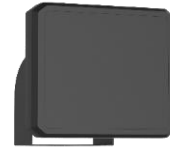


DS-TDSB00-EML**350 m Traffic Parameter Collection Radar**

- Adopt 60 GHz MIMO technology.
- All-weather working environment.
- Max. detection distance 350m, Max. detection targets 256.
- Max. support 8 lanes, two directions.
- Can be used to detect stop queue at intersections.
- Support middle-mount or side-mount installation. Easy to install and debug.

▪ Specification

Radar	
Working Frequency	60 to 61 GHz
Modulation Waveform	FMCW
Horizontal Detection Angle	± 14.5° @ Narrow Beam, ± 60° @ Wide Beam
Vertical Detection Angle	± 4.5° @ Narrow Beam, ± 12.6° @ Wide Beam
Coverage Lanes	Up to 8 lane(s)
Detection Distance	350 m @ Narrow Beam, 100 m @ Wide Beam
Distance Resolution	0.88 m @ Narrow Beam, 0.3 m @ Wide Beam
Speed Resolution	0.13 m/s
Angle Resolution	1.86° @ Narrow Beam, 6.23° @ Wide Beam
Speed Measuring Range	-300 to 300 km/h
Max. Detectable Targets	Up to 256 target(s)
Speed Measuring Accuracy	± 2 km/h
Trigger Mode	Approaching direction, Leaving direction, Bidirection
Sweep Bandwidth	169M Hz @ Narrow Beam, 500M Hz @ Wide Beam
Interface	
Network Interface	1 RJ 45 10 M/100 M self-adaptive Ethernet port
RS-485	1 RS-485
General	
Power	DC 12 V to 24 V, 1.5 A, max. 18 W, two-core terminal block
Material	Cover: PC, main body: ADC12
Dimensions	173 mm × 175.6 mm × 202.5 mm (6.81" × 6.91" × 7.97") (L × W × H)
Package Dimensions	270 mm × 250 mm × 223 mm (10.62" × 9.84" × 8.78") (L × W × H)
Weight	Approx. 1.80 kg (9.97 lb.)
With Package Weight	Approx. 2.33 kg (5.14 lb.)
Operating Condition	-30 °C to 70 °C (-22 °F to 158°F). Humidity: 5% to 95% (non-condensing)
Storage Condition	-30 °C to 60 °C (-22 °F to 140 °F). Humidity: 95% or less (non-condensing)
Installation Height	6 to 10 m (Recommend height: 6 m)
Approval	
EMC	EN 301 489-1 V2.2.3:2019, EN 301 489-3 V2.1.1:2019
RF	CE-RED: EN IEC 61326-1:2021, DRAFT EN 305 550 V2.1.0:2017, EN 62479:2010, EN 50663:2017 KC: KS X 3124, KS X 3123
Safety	CB:IEC 61010-1:2010, IEC 61010-1:2010/AMD1:2016 CE-LVD: EN 61010-1:2010+A1:2019
Environment	CE-RoHS: 2011/65/EU, WEEE: 2012/19/EU, Reach: Regulation (EC) No 1907/2006
Protection	IP67: IEC 60529-2013

▪ **Typical Application**

Hikvision products are classified into three levels according to their anti-corrosion performance. Refer to the following description to choose for your using environment.

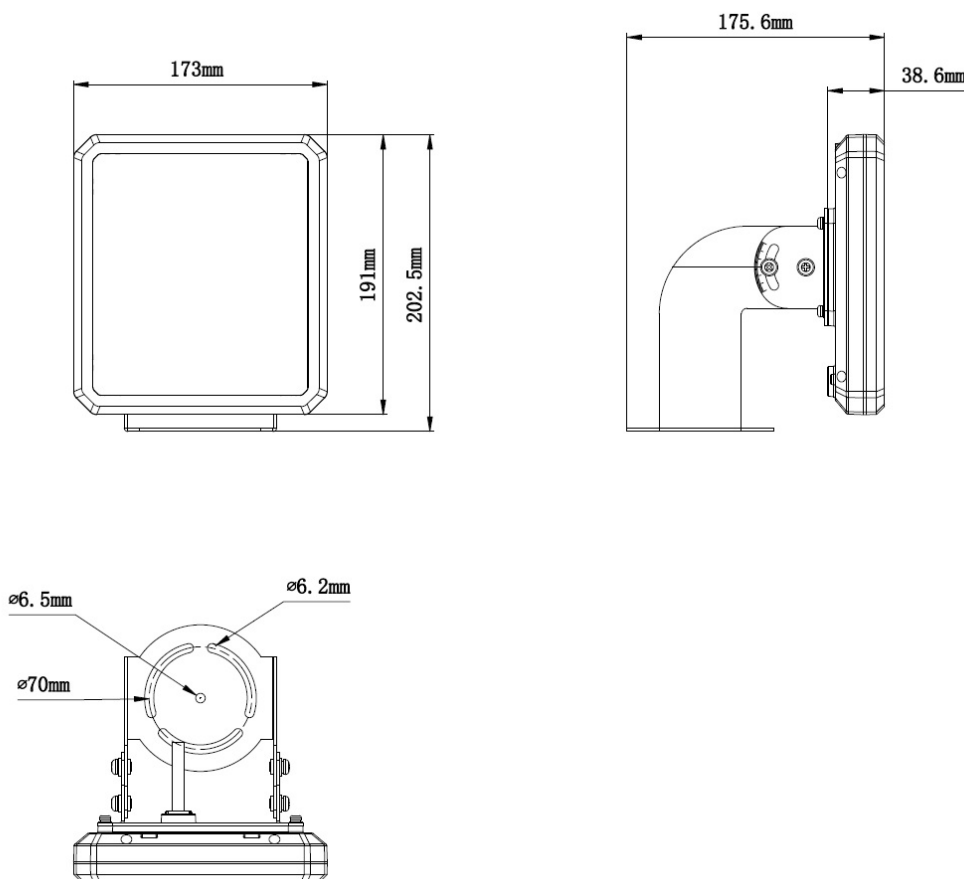
This model has NO SPECIFIC PROTECTION.

Level	Description
Top-level protection	Hikvision products at this level are equipped for use in areas where professional anti-corrosion protection is a must. Typical application scenarios include coastlines, docks, chemical plants, and more.
Moderate protection	Hikvision products at this level are equipped for use in areas with moderate anti-corrosion demands. Typical application scenarios include coastal areas about 2 kilometers (1.24 miles) away from coastlines, as well as areas affected by acid rain.
No specific protection	Hikvision products at this level are equipped for use in areas where no specific anti-corrosion protection is needed.

▪ **Available Model**

DS-TDSB00-EML/350m

▪ **Dimension**



▪ **Accessory**

▪ **Optional**

DS-1275ZJ-BJH/600mm Hoop & Bracket	DS-1278ZJ-HWB Hoop & Bracket	DS-1701ZJ/BJH Hoop & Bracket	DS-1232ZJ-T/BJH Cardan Joint
			

Headquarters

No.555 Qianmo Road, Binjiang District,
Hangzhou 310051, China
T +86-571-8807-5998
www.hikvision.com



Follow us on social media to get the latest product and solution information.

