

DS-MH1491 Portable PTZ Dome Battery Charger



- Charge the lithium battery of the Portable PTZ Camera separately
- Delicate appearance, easy to carry

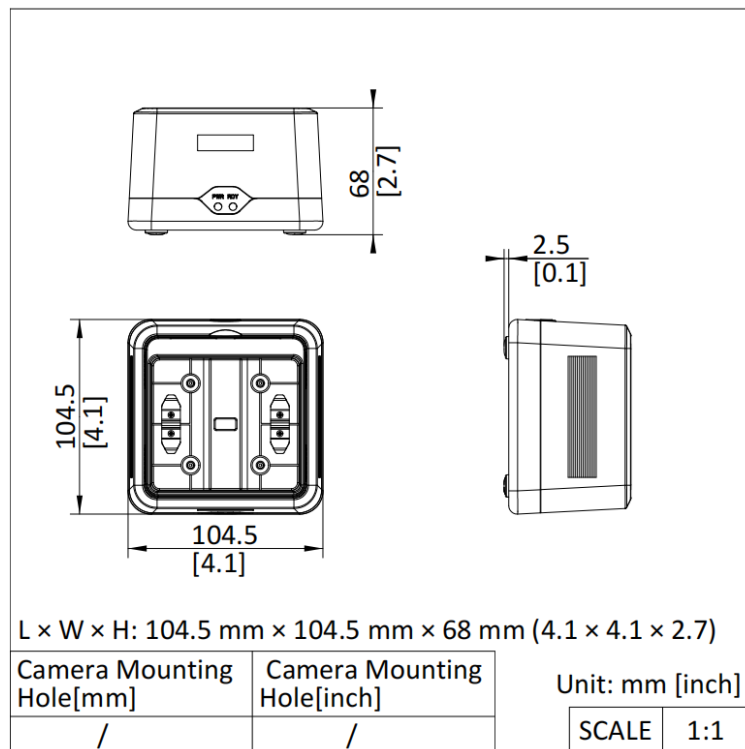
▪ Specification

| General | |
|---------------------|---|
| Indicator | Charging indicator, working indicator |
| Power Supply Mode | External power supply |
| General | |
| Power | 12 VDC, 5.0 A, max. 60 W |
| Operating Condition | -0 °C to 45 °C (32 °F to 113 °F). Humidity 95% or less (non-condensing) |
| Dimension | 104.5 mm × 104.5 mm × 68 mm (4.1" × 4.1" × 2.7") |
| Weight | 160 g (0.35 lb.) |

▪ Available Model

DS-MH1491

Dimension



▪ Accessory



iDS-MCD242



iDS-MCD402-ES



iDS-MCD402-E

Headquarters

No.555 Qianmo Road, Binjiang District,
Hangzhou 310051, China
T +86-571-8807-5998
www.hikvision.com



Follow us on social media to get the latest product and solution information.



Hikvision



HikvisionHQ



HikvisionHQ



Hikvision_Global



Hikvision
Corporate Channel



hikvisionhq